

**INFORMATION  
MANUAL**

**1981**



**MODEL  
172RG**

***Cutlass RG***

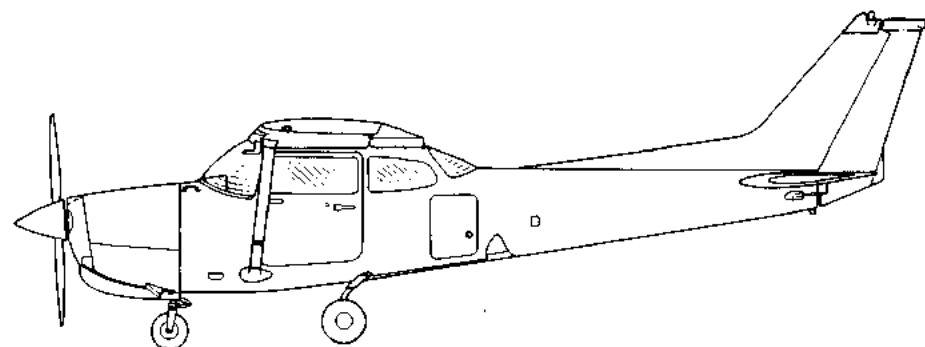
---

---



# PERFORMANCE - SPECIFICATIONS

## Information Manual



Cessna Aircraft Company

 Member of GAMA

1981 Model 172RG

COPYRIGHT © 1980

Cessna Aircraft Company  
Wichita, Kansas USA

THE REPRINTING OF THIS MANUAL INCORPORATES INFORMATION ISSUED IN REVISION 1 DATED 15 JULY 1983 AND REVISION 2 DATED 1 DECEMBER 1983 FROM THE PILOT'S OPERATING HANDBOOK AND FAA APPROVED AIRPLANE FLIGHT MANUAL.

**SPEED:**

Maximum at Sea Level . . . . . 145 KNOTS  
Cruise, 75% Power at 9000 Ft . . . . . 140 KNOTS

**CRUISE:** Recommended lean mixture with fuel allowance for engine start, taxi, takeoff, climb and 45 minutes reserve.

|                                      |       |         |
|--------------------------------------|-------|---------|
| 75% Power at 9000 Ft . . . . .       | Range | 720 NM  |
| 62 Gallons Usable Fuel . . . . .     | Time  | 5.3 HRS |
| Maximum Range at 10,000 Ft . . . . . | Range | 840 NM  |
| 62 Gallons Usable Fuel . . . . .     | Time  | 7.7 HRS |

**RATE OF CLIMB AT SEA LEVEL** . . . . . 800 FPM  
**SERVICE CEILING** . . . . . 16,800 FT

**TAKEOFF PERFORMANCE:**

Ground Roll . . . . . 1060 FT  
Total Distance Over 50-Ft Obstacle . . . . . 1775 FT

**LANDING PERFORMANCE:**

Ground Roll . . . . . 625 FT  
Total Distance Over 50-Ft Obstacle . . . . . 1340 FT

**STALL SPEED (KCAS):**

Flaps Up, Power Off . . . . . 54 KNOTS  
Flaps Down, Power Off . . . . . 50 KNOTS

**MAXIMUM WEIGHT:**

Ramp . . . . . 2658 LBS  
Takeoff or Landing . . . . . 2650 LBS

**STANDARD EMPTY WEIGHT:**

Cutlass RG . . . . . 1555 LBS  
Cutlass RG II . . . . . 1590 LBS

**MAXIMUM USEFUL LOAD:**

Cutlass RG . . . . . 1103 LBS  
Cutlass RG II . . . . . 1068 LBS

**BAGGAGE ALLOWANCE** . . . . . 200 LBS

**WING LOADING:** Pounds/Sq Ft . . . . . 15.2

**POWER LOADING:** Pounds/HP . . . . . 14.7

**FUEL CAPACITY:** Total . . . . . 66 GAL.

**OIL CAPACITY** . . . . . 9 QTS

**ENGINE:** Avco Lycoming . . . . . O-360-F1A6

180 BHP at 2700 RPM

**PROPELLER:** Constant Speed, Diameter . . . . . 76.5 IN.

The above performance figures are based on the indicated weights, standard atmospheric conditions, level hard-surface dry runways and no wind. They are calculated values derived from flight tests conducted by the Cessna Aircraft Company under carefully documented conditions and will vary with individual airplanes and numerous factors affecting flight performance.

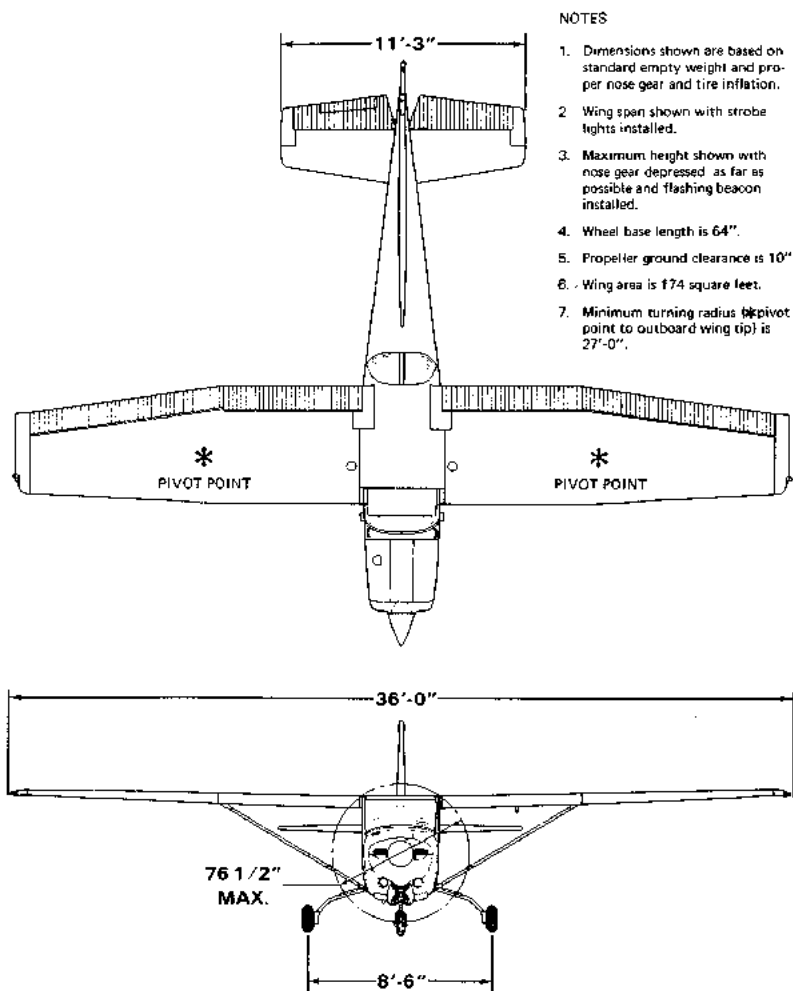
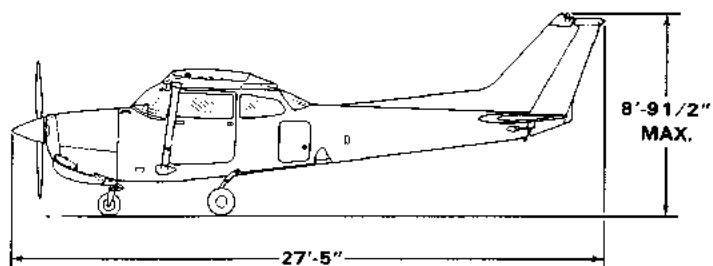
# SECTION 1 GENERAL

## TABLE OF CONTENTS

|   | SECTION |
|---|---------|
| GENERAL.....  | 1       |
| LIMITATIONS.....  | 2       |
| EMERGENCY PROCEDURES.....   | 3       |
| NORMAL PROCEDURES.....  | 4       |
| PERFORMANCE.....  | 5       |
| WEIGHT & BALANCE/<br>EQUIPMENT LIST .....                                     | 6       |
| AIRPLANE & SYSTEMS<br>DESCRIPTIONS .....                                      | 7       |
| AIRPLANE HANDLING,<br>SERVICE & MAINTENANCE .....                             | 8       |
| SUPPLEMENTS<br>(Optional Systems Description<br>& Operating Procedures) ..... | 9       |

## TABLE OF CONTENTS

|  | Page |
|--|------|
| Three View .....   | 1-2  |
| Introduction .....   | 1-3  |
| Descriptive Data .....                                     | 1-3  |
| Engine .....   | 1-3  |
| Propeller .....  | 1-3  |
| Fuel .....   | 1-3  |
| Oil .....  | 1-4  |
| Maximum Certificated Weights .....                         | 1-4  |
| Standard Airplane Weights .....                            | 1-5  |
| Cabin And Entry Dimensions .....                           | 1-5  |
| Baggage Space And Entry Dimensions .....                   | 1-5  |
| Specific Loadings .....                                    | 1-5  |
| Symbols, Abbreviations And Terminology .....               | 1-6  |
| General Airspeed Terminology And Symbols .....             | 1-6  |
| Meteorological Terminology .....                           | 1-7  |
| Engine Power Terminology .....                             | 1-7  |
| Airplane Performance And Flight Planning Terminology ..... | 1-7  |
| Weight And Balance Terminology .....                       | 1-8  |



## NOTES

1. Dimensions shown are based on standard empty weight and proper nose gear and tire inflation.
2. Wing span shown with strobe lights installed.
3. Maximum height shown with nose gear depressed as far as possible and flashing beacon installed.
4. Wheel base length is 64".
5. Propeller ground clearance is 10".
6. Wing area is 174 square feet.
7. Minimum turning radius (pivot point to outboard wing tip) is 27'-0".

Figure 1-1. Three View

## INTRODUCTION

This handbook contains 9 sections, and includes the material required to be furnished to the pilot by CAR Part 3. It also contains supplemental data supplied by Cessna Aircraft Company.

Section 1 provides basic data and information of general interest. It also contains definitions or explanations of symbols, abbreviations, and terminology commonly used.

## DESCRIPTIVE DATA

## ENGINE

Number of Engines: 1.

Engine Manufacturer: Avco Lycoming.

Engine Model Number: O-360-F1A6.

Engine Type: Normally-aspirated, direct-drive, air-cooled, horizontally-opposed, carburetor equipped, four-cylinder engine with 361 cu. in. displacement.

Horsepower Rating and Engine Speed: 180 rated BHP at 2700 RPM.

## PROPELLER

Propeller Manufacturer: McCauley Accessory Division.

Propeller Model Number: B2D34C220/80VHA-3.5

Number of Blades: 2.

Propeller Diameter, Maximum: 76.5 inches.

Minimum: 75.5 inches.

Propeller Type: Constant speed and hydraulically actuated, with a low pitch setting of 12.0° and a high pitch setting of 26.5° (30 inch station).

## FUEL

Approved Fuel Grades (and Colors):

100LL Grade Aviation Fuel (Blue).

100 (Formerly 100/130) Grade Aviation Fuel (Green).

## NOTE

Isopropyl alcohol or ethylene glycol monomethyl ether may be added to the fuel supply. Additive concentrations shall not exceed 1% for isopropyl alcohol or .15% for ethylene glycol monomethyl ether. Refer to Section 8 for additional information.

SECTION 1  
GENERAL

CESSNA  
MODEL 172RG

CESSNA  
MODEL 172RG

SECTION 1  
GENERAL

Total Capacity: 66 gallons.  
Total Capacity Each Tank: 33 gallons.  
Total Usable: 62 gallons.

NOTE

To ensure maximum fuel capacity when refueling and minimize cross-feeding when parked on a sloping surface, place the fuel selector valve in either LEFT or RIGHT position.

OIL

Oil Grade (Specification):

MIL-L-6082 Aviation Grade Straight Mineral Oil: Use to replenish supply during first 25 hours and at the first 25-hour oil change. Continue to use until a total of 50 hours has accumulated or oil consumption has stabilized.

MIL-L-22851 Ashless Dispersant Oil: This oil **must be used** after first 50 hours or oil consumption has stabilized.

Recommended Viscosity For Temperature Range:

MIL-L-6082 Aviation Grade Straight Mineral Oil:

All temperatures, use SAE 20W-50 or

Above 16°C (60°F), use SAE 50

-1°C (30°F) to 32°C (90°F), use SAE 40

-18°C (0°F) to 21°C (70°F), use SAE 30

Below -12°C (10°F), use SAE 20

MIL-L-22851 Ashless Dispersant Oil:

All temperatures, use SAE 20W-50 or

Above 16°C (60°F), use SAE 40 or SAE 50

-1°C (30°F) to 32°C (90°F), use SAE 40

-18°C (0°F) to 21°C (70°F), use SAE 40 or SAE 30

Below -12°C (10°F), use SAE 30

Oil Capacity:

Sump: 8 Quarts.

Total: 9 Quarts.

MAXIMUM CERTIFICATED WEIGHTS

Ramp: 2658 lbs.

Takeoff: 2650 lbs.

Landing: 2650 lbs.

Weight in Baggage Compartment:

Baggage Area 1 - Station 82 to 108: 200 lbs. See note below.

Baggage Area 2 - Station 108 to 124: 50 lbs. See note below.

NOTE

The maximum combined weight capacity for baggage areas 1 and 2 is 200 lbs.

STANDARD AIRPLANE WEIGHTS

Standard Empty Weight, Cutlass RG: 1555 lbs.

Cutlass RG II: 1590 lbs.

Maximum Useful Load, Cutlass RG: 1103 lbs.

Cutlass RG II: 1068 lbs.

CABIN AND ENTRY DIMENSIONS

Detailed dimensions of the cabin interior and entry door openings are illustrated in Section 6.

BAGGAGE SPACE AND ENTRY DIMENSIONS

Dimensions of the baggage area and baggage door opening are illustrated in detail in Section 6.

SPECIFIC LOADINGS

Wing Loading: 15.2 lbs./sq. ft.

Power Loading: 14.7 lbs./hp.

# SECTION 2 LIMITATIONS

## TABLE OF CONTENTS

|   | Page |
|---|------|
| Introduction . . . . .                    | 2-3  |
| Airspeed Limitations . . . . .            | 2-4  |
| Airspeed Indicator Markings . . . . .     | 2-4  |
| Power Plant Limitations . . . . .         | 2-5  |
| Power Plant Instrument Markings . . . . . | 2-6  |
| Weight Limits . . . . .                   | 2-6  |
| Center Of Gravity Limits . . . . .        | 2-7  |
| Maneuver Limits . . . . .                 | 2-7  |
| Flight Load Factor Limits . . . . .       | 2-7  |
| Kinds Of Operation Limits . . . . .       | 2-8  |
| Fuel Limitations . . . . .                | 2-8  |
| Other Limitations . . . . .               | 2-8  |
| Flap Limitations . . . . .                | 2-8  |
| Placards . . . . .                        | 2-9  |

**AIRSPEED LIMITATIONS**

Airspeed limitations and their operational significance are shown in figure 2-1.

|                 | SPEED   | KCAS            | KIAS            | REMARKS  |
|-----------------|---|-----------------|-----------------|--|
| V <sub>NE</sub> | Never Exceed Speed  | 161             | 164             | Do not exceed this speed in any operation.                                 |
| V <sub>NO</sub> | Maximum Structural Cruising Speed                               | 142             | 145             | Do not exceed this speed except in smooth air, and then only with caution. |
| V <sub>A</sub>  | Maneuvering Speed:<br>2650 Pounds<br>2250 Pounds<br>1850 Pounds | 105<br>96<br>87 | 106<br>98<br>89 | Do not make full or abrupt control movements above this speed.             |
| V <sub>FE</sub> | Maximum Flap Extended Speed:<br>To 10° Flaps<br>10° - 30° Flaps | 130<br>101      | 130<br>100      | Do not exceed these speeds with the given flap settings.                   |
| V <sub>LO</sub> | Maximum Landing Gear Operating Speed                            | 138             | 140             | Do not extend or retract landing gear above this speed.                    |
| V <sub>LE</sub> | Maximum Landing Gear Extended Speed                             | 161             | 164             | Do not exceed this speed with landing gear extended.                       |
|                 | Maximum Window Open Speed                                       | 161             | 164             | Do not exceed this speed with windows open.                                |

Figure 2-1. Airspeed Limitations

**AIRSPEED INDICATOR MARKINGS**

Airspeed indicator markings and their color code significance are shown in figure 2-2.

| MARKING    | KIAS VALUE OR RANGE | SIGNIFICANCE  |
|------------|---------------------|---|
| White Arc  | 42 - 100            | Full Flap Operating Range. Lower limit is maximum weight V <sub>SO</sub> in landing configuration. Upper limit is maximum speed permissible with flaps extended.  |
| Green Arc  | 50 - 145            | Normal Operating Range. Lower limit is maximum weight V <sub>S</sub> at most forward C.G. with flaps retracted. Upper limit is maximum structural cruising speed. |
| Yellow Arc | 145 - 164           | Operations must be conducted with caution and only in smooth air.   |
| Red Line   | 164                 | Maximum speed for all operations.   |

Figure 2-2. Airspeed Indicator Markings

**POWER PLANT LIMITATIONS**

Engine Manufacturer: Avco Lycoming.

Engine Model Number: O-360-F1A6.

Maximum Power: 180 BHP rating.

Engine Operating Limits for Takeoff and Continuous Operations:

Maximum Engine Speed: 2700 RPM.

Maximum Cylinder Head Temperature: 500°F (260°C).

Maximum Oil Temperature: 245°F (118°C).

Oil Pressure, Minimum: \*25 psi.

Maximum: 115 psi.

Fuel Pressure, Minimum: 0.5 psi.

Maximum: 8.0 psi.

Fuel Grade: See Fuel Limitations.

Oil Grade (Specification):

MIL-L-6082 Aviation Grade Straight Mineral Oil or  
MIL-L-22851 Ashless Dispersant Oil.

Propeller Manufacturer: McCauley Accessory Division.

Propeller Model Number: B2D34C220/80VHA-3.5

Propeller Diameter, Maximum: 76.5 inches.

Minimum: 75.5 inches.

Propeller Blade Angle at 30 Inch Station, Low: 12.0°.

High: 26.5°.

\* 20 psi on airplanes modified by Service Kit SK172-85.

30 May 1980

Revision 2 - 1 December 1983

## POWER PLANT INSTRUMENT MARKINGS

Power plant instrument markings and their color code significance are shown in figure 2-3.

| INSTRUMENT                    | RED LINE                            | GREEN ARC                         | RED LINE      |
|-------------------------------|-------------------------------------|-----------------------------------|---------------|
|                               | MINIMUM LIMIT                       | NORMAL OPERATING                  | MAXIMUM LIMIT |
| Tachometer:<br>S.L. and above | ---                                 | 2100 - 2500<br>(wide green arc)   | 2700 RPM      |
| 7500 ft. and above            |                                     | 2500 - 2700<br>(narrow green arc) |               |
| Manifold Pressure             | ---                                 | 15 - 25<br>in. Hg                 | ---           |
| Oil Temperature               | ---                                 | 100° - 245°F                      | 245°F         |
| Cylinder Head Temperature     | ---                                 | 200° - 500°F                      | 500°F         |
| Fuel Pressure                 | 0.5 psi                             | 0.5 - 8.0 psi                     | 8.0 psi       |
| Oil Pressure                  | *25 psi                             | *60 - 90 psi                      | 115 psi       |
| Suction                       | ---                                 | 4.5 - 5.4<br>in. Hg               | ---           |
| Fuel Quantity                 | E<br>(2 Gal. Unusable<br>Each Tank) | ---                               | ---           |

Figure 2-3. Power Plant Instrument Markings

## WEIGHT LIMITS

Maximum Ramp Weight: 2658 lbs.

Maximum Takeoff Weight: 2650 lbs.

Maximum Landing Weight: 2650 lbs.

Maximum Weight in Baggage Compartment:

Baggage Area 1 - Station 82 to 108: 200 lbs. See note below.

\* 20 psi (red line) and 50-90 psi (green arc) on airplanes modified by Service Kit SK172-85.

Baggage Area 2 - Station 108 to 124: 50 lbs. See note below.

### NOTE

The maximum combined weight capacity for baggage areas 1 and 2 is 200 lbs.

## CENTER OF GRAVITY LIMITS

Center of Gravity Range:

Forward: 36.0 inches aft of datum at 1950 lbs. or less, with straight line variation to 39.5 inches aft of datum at 2650 lbs.

Aft: 46.5 inches aft of datum at all weights.

Moment Change Due To Retracting Landing Gear: +2424 lb.-ins.

Reference Datum: Front face of firewall.

## MANEUVER LIMITS

This airplane is certificated in the normal category. The normal category is applicable to aircraft intended for non-aerobatic operations. These include any maneuvers incidental to normal flying, stalls (except whip stalls), lazy eights, chandelles, and steep turns in which the angle of bank is not more than 60°.

Aerobatic maneuvers, including spins, are not approved.

## FLIGHT LOAD FACTOR LIMITS

Flight Load Factors:

\*Flaps Up: +3.8g, -1.52g

\*Flaps Down: +2.0g

\*The design load factors are 150% of the above, and in all cases, the structure meets or exceeds design loads.



## KINDS OF OPERATION LIMITS

The airplane is equipped for day VFR and may be equipped for night VFR and/or IFR operations. FAR Part 91 establishes the minimum required instrumentation and equipment for these operations. The reference to types of flight operations on the operating limitations placard reflects equipment installed at the time of Airworthiness Certificate issuance.

Flight into known icing conditions is prohibited.

## FUEL LIMITATIONS

- 2 Standard Tanks: 33 U.S. gallons each.
- Total Fuel: 66 U.S. gallons.
- Usable Fuel (all flight conditions): 62 U.S. gallons.
- Unusable Fuel: 4.0 U.S. gallons.

### NOTE

To ensure maximum fuel capacity when refueling and minimize cross-feeding when parked on a sloping surface, place the fuel selector valve in either LEFT or RIGHT position.

Takeoff and land with the fuel selector valve handle in the BOTH position.

Operation on either left or right tank is limited to level flight only.

With 1/4 tank or less, prolonged uncoordinated flight is prohibited when operating on either left or right tank in level flight.

Fuel remaining in the tank after the fuel quantity indicator reads empty (red line) cannot be safely used in flight.

- Approved Fuel Grades (and Colors):
  - 100LL Grade Aviation Fuel (Blue).
  - 100 (Formerly 100/130) Grade Aviation Fuel (Green).

## OTHER LIMITATIONS

### FLAP LIMITATIONS

- Approved Takeoff Range:
  - Above 2550 Pounds Takeoff Weight: 0°.
  - 2550 Pounds Takeoff Weight or Less: 0° to 10°.
- Approved Landing Range: 0° to 30°.

## PLACARDS

The following information must be displayed in the form of composite or individual placards.

1. In full view of the pilot: (The "DAY-NIGHT-VFR-IFR" entry, shown on the example below, will vary as the airplane is equipped.)

The markings and placards installed in this airplane contain operating limitations which must be complied with when operating this airplane in the Normal Category. Other operating limitations which must be complied with when operating this airplane in this category are contained in the Pilot's Operating Handbook and FAA Approved Airplane Flight Manual.

No acrobatic maneuvers, including spins, approved.  
Flight into known icing conditions prohibited.

This airplane is certified for the following flight operations as of date of original airworthiness certificate:

DAY—NIGHT—VFR—IFR

2. Near airspeed indicator:

|                  |           |
|------------------|-----------|
| MAX SPEED - KIAS |           |
| MANEUVER         | . . . 106 |
| GEAR OPER        | . . . 140 |
| GEAR DOWN        | . . . 164 |

3. On control lock:

CONTROL LOCK - REMOVE BEFORE STARTING ENGINE.

4. On the fuel selector valve:

OFF  
LEFT - 30 GAL. LEVEL FLIGHT ONLY  
BOTH - 62 GAL. ALL FLIGHT ATTITUDES  
BOTH ON FOR TAKEOFF AND LANDING  
RIGHT - 30 GAL. LEVEL FLIGHT ONLY

5. On the baggage compartment door:

200 LBS MAX BAGGAGE  
MAX LOAD ON AFT SHELF 50 LBS  
FOR ADDITIONAL LOADING INSTRUCTIONS  
SEE WEIGHT AND BALANCE DATA

6. On flap position indicator:

|            |   |
|------------|---|
| 0° to 10°  | (Partial flap range with blue color code and 130 kt callout; also, mechanical detent at 10°.) |
| 10° to 30° | White color code and 100 kt callout; also, mechanical detent at 10° and 20°.)                 |

7. Forward of fuel tank filler cap:

FUEL  
100LL/100 MIN GRADE AVIATION GASOLINE  
CAP. 33.0 U.S. GAL.  
CAP. 24.0 U.S. GAL. TO BOTTOM OF FILLER COLLAR

8. Near gear hand pump:

MANUAL  
GEAR EXTENSION  
1. SELECT GEAR DOWN  
2. PULL HANDLE FWD  
3. PUMP VERTICALLY

CAUTION  
DO NOT PUMP WITH  
GEAR UP SELECTED

9. A calibration card is provided to indicate the accuracy of the magnetic compass in 30° increments.

10. On oil filler cap:

OIL  
8 QTS

11. Near manifold pressure gage:

WITH LESS THAN 10" MANIFOLD  
PRESSURE, AVOID CONTINUOUS  
OPERATIONS BETWEEN  
1750-2050 RPM

# SECTION 3

# EMERGENCY PROCEDURES

## TABLE OF CONTENTS

|  | Page |
|--|------|
| Introduction . . . . .   | 3-3  |
| Airspeeds For Emergency Operation . . . . .  | 3-3  |
| OPERATIONAL CHECKLISTS   |      |
| Engine Failures . . . . .  | 3-3  |
| Engine Failure During Takeoff Run . . . . .  | 3-3  |
| Engine Failure Immediately After Takeoff . . . . .                                     | 3-4  |
| Engine Failure During Flight . . . . .   | 3-4  |
| Forced Landings . . . . .  | 3-4  |
| Emergency Landing Without Engine Power . . . . .                                       | 3-4  |
| Precautionary Landing With Engine Power . . . . .                                      | 3-4  |
| Ditching . . . . .   | 3-5  |
| Fires . . . . .  | 3-5  |
| During Start On Ground . . . . .   | 3-5  |
| Engine Fire In Flight . . . . .  | 3-6  |
| Electrical Fire In Flight . . . . .  | 3-6  |
| Cabin Fire . . . . .   | 3-7  |
| Wing Fire . . . . .  | 3-7  |
| Icing . . . . .  | 3-7  |
| Inadvertent Icing Encounter . . . . .  | 3-7  |
| Static Source Blockage (Erroneous Instrument Reading<br>Suspected) . . . . .           | 3-8  |
| Landing Gear Malfunction Procedures . . . . .  | 3-8  |
| Landing Gear Fails To Retract . . . . .  | 3-8  |
| Landing Gear Fails To Extend . . . . .   | 3-8  |
| Gear Up Landing . . . . .  | 3-9  |
| Landing Without Positive Indication Of Gear Locking . . . . .                          | 3-9  |
| Landing With A Defective Nose Gear (Or Flat Nose Tire) . . . . .                       | 3-9  |
| Landing With A Flat Main Tire . . . . .  | 3-10 |
| Electrical Power Supply System Malfunctions . . . . .                                  | 3-10 |
| Ammeter Shows Excessive Rate of Charge<br>(Full Scale Deflection) . . . . .            | 3-10 |
| Low-Voltage Light Illuminates During Flight<br>(Ammeter Indicates Discharge) . . . . . | 3-10 |

## TABLE OF CONTENTS (Continued)

|   | Page |
|---|------|
| <b>AMPLIFIED PROCEDURES</b>                                     |      |
| Engine Failure . . . . .  | 3-11 |
| Forced Landings . . . . .                                       | 3-12 |
| Landing Without Elevator Control . . . . .                      | 3-12 |
| Fires . . . . .   | 3-12 |
| Emergency Operation In Clouds (Vacuum System Failure) . . . . . | 3-13 |
| Executing A 180° Turn In Clouds . . . . .                       | 3-13 |
| Emergency Descent Through Clouds . . . . .                      | 3-13 |
| Recovery From A Spiral Dive . . . . .                           | 3-14 |
| Inadvertent Flight Into Icing Conditions . . . . .              | 3-14 |
| Static Source Blocked . . . . .                                 | 3-15 |
| Spins . . . . .   | 3-15 |
| Rough Engine Operation Or Loss Of Power . . . . .               | 3-16 |
| Carburetor Icing . . . . .                                      | 3-16 |
| Spark Plug Fouling . . . . .                                    | 3-16 |
| Magneto Malfunction . . . . .                                   | 3-16 |
| Engine-Driven Fuel Pump Failure . . . . .                       | 3-16 |
| Low Oil Pressure . . . . .                                      | 3-17 |
| Landing Gear Malfunction Procedures . . . . .                   | 3-17 |
| Retraction Malfunctions . . . . .                               | 3-17 |
| Extension Malfunctions . . . . .                                | 3-18 |
| Gear Up Landing . . . . .                                       | 3-18 |
| Electrical Power Supply System Malfunctions . . . . .           | 3-18 |
| Excessive Rate Of Charge . . . . .                              | 3-19 |
| Insufficient Rate Of Charge . . . . .                           | 3-19 |

## INTRODUCTION

Section 3 provides checklist and amplified procedures for coping with emergencies that may occur. Emergencies caused by airplane or engine malfunctions are extremely rare if proper preflight inspections and maintenance are practiced. Enroute weather emergencies can be minimized or eliminated by careful flight planning and good judgment when unexpected weather is encountered. However, should an emergency arise, the basic guidelines described in this section should be considered and applied as necessary to correct the problem. Emergency procedures associated with ELT and other optional systems can be found in Section 9.

## AIRSPEEDS FOR EMERGENCY OPERATION

|   |          |
|---|----------|
| Engine Failure After Takeoff:                     |          |
| Wing Flaps Up . . . . .                           | 70 KIAS  |
| Wing Flaps Down . . . . .                         | 65 KIAS  |
| Maneuvering Speed:                                |          |
| 2650 Lbs . . . . .                                | 106 KIAS |
| 2250 Lbs . . . . .                                | 98 KIAS  |
| 1850 Lbs . . . . .                                | 89 KIAS  |
| Maximum Glide:                                    |          |
| 2650 Lbs . . . . .                                | 73 KIAS  |
| 2250 Lbs . . . . .                                | 67 KIAS  |
| 1850 Lbs . . . . .                                | 61 KIAS  |
| Precautionary Landing With Engine Power . . . . . | 65 KIAS  |
| Landing Without Engine Power:                     |          |
| Wing Flaps Up . . . . .                           | 75 KIAS  |
| Wing Flaps Down . . . . .                         | 65 KIAS  |

## OPERATIONAL CHECKLISTS

### ENGINE FAILURES

#### ENGINE FAILURE DURING TAKEOFF RUN

1. Throttle -- IDLE.
2. Brakes -- APPLY.
3. Wing Flaps -- RETRACT.
4. Mixture -- IDLE CUT-OFF.
5. Ignition Switch -- OFF.
6. Master Switch -- OFF.

### ENGINE FAILURE IMMEDIATELY AFTER TAKEOFF

1. Airspeed -- 70 KIAS (flaps UP).  
65 KIAS (flaps DOWN).
2. Mixture -- IDLE CUT-OFF.
3. Fuel Selector Valve -- OFF.
4. Ignition Switch -- OFF.
5. Wing Flaps -- AS REQUIRED (30° recommended).
6. Master Switch -- OFF.

### ENGINE FAILURE DURING FLIGHT

1. Airspeed -- 75 KIAS.
2. Carburetor Heat -- ON.
3. Fuel Selector Valve -- BOTH
4. Mixture -- RICH.
5. Ignition Switch -- BOTH (or START if propeller is stopped).
6. Primer -- IN and LOCKED.

## FORCED LANDINGS

### EMERGENCY LANDING WITHOUT ENGINE POWER

1. Airspeed -- 75 KIAS (flaps UP).  
65 KIAS (flaps DOWN).
2. Mixture -- IDLE CUT-OFF.
3. Fuel Selector Valve -- OFF.
4. Ignition Switch -- OFF.
5. Landing Gear -- DOWN (UP if terrain is rough or soft).
6. Wing Flaps -- AS REQUIRED (30° recommended).
7. Doors -- UNLATCH PRIOR TO TOUCHDOWN.
8. Master Switch -- OFF when landing is assured.
9. Touchdown -- SLIGHTLY TAIL LOW.
10. Brakes -- APPLY HEAVILY.

### PRECAUTIONARY LANDING WITH ENGINE POWER

1. Wing Flaps -- 20°.
2. Airspeed -- 65 KIAS.
3. Selected Field -- FLY OVER, noting terrain and obstructions, then retract flaps upon reaching a safe altitude and airspeed.
4. Electrical Switches -- OFF.
5. Landing Gear -- DOWN (UP if terrain is rough or soft).
6. Wing Flaps -- 30° (on final approach).
7. Airspeed -- 65 KIAS.

8. Doors -- UNLATCH PRIOR TO TOUCHDOWN.
9. Avionics Power and Master Switches -- OFF.
10. Touchdown -- SLIGHTLY TAIL LOW.
11. Ignition Switch -- OFF.
12. Brakes -- APPLY HEAVILY.

### DITCHING

1. Radio -- TRANSMIT MAYDAY on 121.5 MHz, giving location and intentions and SQUAWK 7700 if transponder is installed.
2. Heavy Objects (in baggage area) -- SECURE OR JETTISON.
3. Landing Gear -- UP.
4. Flaps -- 20° - 30°.
5. Power -- ESTABLISH 300 FT/MIN DESCENT at 60 KIAS.
6. Approach -- High Winds, Heavy Seas -- INTO THE WIND.  
Light Winds, Heavy Swells -- PARALLEL TO SWELLS.

#### NOTE

If no power is available, approach at 70 KIAS with flaps up or at 65 KIAS with 10° flaps.

7. Cabin Doors -- UNLATCH.
8. Touchdown -- LEVEL ATTITUDE AT ESTABLISHED DESCENT.
9. Face -- CUSHION at touchdown with folded coat.
10. Airplane -- EVACUATE through cabin doors. If necessary, open windows and flood cabin to equalize pressure so doors can be opened.
11. Life Vests and Raft -- INFLATE.

## FIRES

### DURING START ON GROUND

1. Cranking -- CONTINUE, to get a start which would suck the flames and accumulated fuel through the carburetor and into the engine.

If engine starts:

2. Power -- 1700 RPM for a few minutes.
3. Engine -- SHUTDOWN and inspect for damage.

If engine fails to start:

4. Throttle -- FULL OPEN.

5. Mixture -- IDLE CUT-OFF.
6. Cranking -- CONTINUE.
7. Fire Extinguisher -- OBTAIN (have ground attendants obtain if not installed).
8. Engine -- SECURE.
  - a. Master Switch -- OFF.
  - b. Ignition Switch -- OFF.
  - c. Fuel Selector Valve -- OFF.
9. Fire -- EXTINGUISH using fire extinguisher, wool blanket, or dirt.
10. Fire Damage -- INSPECT, repair damage or replace damaged components or wiring before conducting another flight.

### ENGINE FIRE IN FLIGHT

1. Mixture -- IDLE CUT-OFF.
2. Fuel Selector Valve -- OFF.
3. Master Switch -- OFF.
4. Cabin Heat and Air -- OFF (except overhead vents).
5. Airspeed -- 105 KIAS (If fire is not extinguished, increase glide speed to find an airspeed which will provide an incombustible mixture).
6. Forced Landing -- EXECUTE (as described in Emergency Landing Without Engine Power).

### ELECTRICAL FIRE IN FLIGHT

1. Master Switch -- OFF.
2. Avionics Power Switch -- OFF.
3. All Other Switches (except ignition switch) -- OFF.
4. Vents/Cabin Air/Heat -- CLOSED.
5. Fire Extinguisher -- ACTIVATE (if available).

### WARNING

After discharging an extinguisher within a closed cabin, ventilate the cabin.

If fire appears out and electrical power is necessary for continuance of flight:

6. Master Switch -- ON.
7. Circuit Breakers -- CHECK for faulty circuit, do not reset.
8. Radio Switches -- OFF.
9. Avionics Power Switch -- ON.
10. Radio/Electrical Switches -- ON one at a time, with delay after each until short circuit is localized.

11. Vents/Cabin Air/Heat -- OPEN when it is ascertained that fire is completely extinguished.

### CABIN FIRE

1. Master Switch -- OFF.
2. Vents/Cabin Air/Heat -- CLOSED (to avoid drafts).
3. Fire Extinguisher -- ACTIVATE (if available).

### WARNING

After discharging an extinguisher within a closed cabin, ventilate the cabin.

4. Land the airplane as soon as possible to inspect for damage.

### WING FIRE

1. Navigation Light Switch -- OFF.
2. Strobe Light Switch (if installed) -- OFF.
3. Pitot Heat Switch (if installed) -- OFF.

### NOTE

Perform a sideslip to keep the flames away from the fuel tank and cabin, and land as soon as possible using flaps only as required for final approach and touchdown.

### ICING

#### INADVERTENT ICING ENCOUNTER

1. Turn pitot heat switch ON (if installed).
2. Turn back or change altitude to obtain an outside air temperature that is less conducive to icing.
3. Pull cabin heat and cabin air controls full out and open defroster valves to obtain maximum defroster airflow.
4. Increase engine speed to minimize ice build-up on propeller blades.
5. Watch for signs of carburetor air filter ice and apply carburetor heat as required. An unexplained loss in manifold pressure could be caused by carburetor ice or air intake filter ice. Lean the mixture if carburetor heat is used continuously.

6. Plan a landing at the nearest airport. With an extremely rapid ice build-up, select a suitable "off airport" landing site.
7. With an ice accumulation of 1/4 inch or more on the wing leading edges, be prepared for significantly higher stall speed.
8. Leave wing flaps retracted. With a severe ice build-up on the horizontal tail, the change in wing wake airflow direction caused by wing flap extension could result in a loss of elevator effectiveness.
9. Open the window and, if practical, scrape ice from a portion of the windshield for visibility in the landing approach.
10. Perform a landing approach using a forward slip, if necessary, for improved visibility.
11. Approach at 80 to 90 KIAS, depending upon the amount of ice accumulation.
12. Perform a landing in level attitude.

#### STATIC SOURCE BLOCKAGE (Erroneous Instrument Reading Suspected)

1. Alternate Static Source Valve (if installed) -- PULL ON.
2. Windows -- CLOSED.
3. Airspeed -- Consult appropriate table in Section 5.

### LANDING GEAR MALFUNCTION PROCEDURES

#### LANDING GEAR FAILS TO RETRACT

1. Master Switch -- ON.
2. Landing Gear Lever -- CHECK (lever full up).
3. Landing Gear and Gear Pump Circuit Breakers -- IN.
4. Gear Up Light -- CHECK.
5. Landing Gear Lever -- RECYCLE.
6. Gear Motor -- CHECK operation (ammeter and noise).

#### LANDING GEAR FAILS TO EXTEND

1. Master Switch -- ON.
2. Landing Gear Lever -- DOWN.
3. Landing Gear and Gear Pump Circuit Breakers -- IN.
4. Emergency Hand Pump -- EXTEND HANDLE, and PUMP (perpendicular to handle until resistance becomes heavy -- about 35 cycles).
5. Gear Down Light -- ON.
6. Pump Handle -- STOW.

#### GEAR UP LANDING

1. Landing Gear Lever -- UP.
2. Landing Gear and Gear Pump Circuit Breakers -- IN.
3. Runway -- SELECT longest hard surface or smooth sod runway available.
4. Wing Flaps -- 30° (on final approach).
5. Airspeed -- 65 KIAS.
6. Doors -- UNLATCH PRIOR TO TOUCHDOWN.
7. Avionics Power and Master Switches -- OFF when landing is assured.
8. Touchdown -- SLIGHTLY TAIL LOW.
9. Mixture -- IDLE CUT-OFF.
10. Ignition Switch -- OFF.
11. Fuel Selector Valve -- OFF.
12. Airplane -- EVACUATE.

#### LANDING WITHOUT POSITIVE INDICATION OF GEAR LOCKING

1. Before Landing Check -- COMPLETE.
2. Approach -- NORMAL (full flap).
3. Landing Gear and Gear Pump Circuit Breakers -- IN.
4. Landing -- TAIL LOW as smoothly as possible.
5. Braking -- MINIMUM necessary.
6. Taxi -- SLOWLY.
7. Engine -- SHUTDOWN before inspecting gear.

#### LANDING WITH A DEFECTIVE NOSE GEAR (Or Flat Nose Tire)

1. Movable Load -- TRANSFER to baggage area.
2. Passenger -- MOVE to rear seat.
3. Before Landing Checklist -- COMPLETE.
4. Runway -- HARD SURFACE or SMOOTH SOD.
5. Wing Flaps -- 30°
6. Cabin Doors -- UNLATCH PRIOR TO TOUCHDOWN.
7. Avionics Power and Master Switches -- OFF when landing is assured.
8. Land -- SLIGHTLY TAIL LOW.
9. Mixture -- IDLE CUT-OFF.
10. Ignition Switch -- OFF.
11. Fuel Selector Valve -- OFF.
12. Elevator Control -- HOLD NOSE OFF GROUND as long as possible.
13. Airplane -- EVACUATE as soon as it stops.

## LANDING WITH A FLAT MAIN TIRE

1. Approach -- NORMAL (full flap).
2. Touchdown -- GOOD TIRE FIRST, hold airplane off flat tire as long as possible with aileron control.
3. Directional Control -- MAINTAIN using brake on good wheel as required.

## ELECTRICAL POWER SUPPLY SYSTEM MALFUNCTIONS

### AMMETER SHOWS EXCESSIVE RATE OF CHARGE (Full Scale Deflection)

1. Alternator -- OFF.
2. Alternator Circuit Breaker -- PULL.
3. Nonessential Electrical Equipment -- OFF.
4. Flight -- TERMINATE as soon as practical.

### LOW-VOLTAGE LIGHT ILLUMINATES DURING FLIGHT (Ammeter Indicates Discharge)

#### NOTE

Illumination of the low-voltage light may occur during low RPM conditions with an electrical load on the system such as during a low RPM taxi. Under these conditions, the light will go out at higher RPM. The master switch need not be recycled since an over-voltage condition has not occurred to de-activate the alternator system.

1. Avionics Power Switch -- OFF.
2. Alternator Circuit Breaker -- CHECK IN.
3. Master Switch -- OFF (both sides).
4. Master Switch -- ON.
5. Low-Voltage Light -- CHECK OFF.
6. Avionics Power Switch -- ON.

If low-voltage light illuminates again:

7. Alternator -- OFF.
8. Nonessential Radio and Electrical Equipment -- OFF.
9. Flight -- TERMINATE as soon as practical.

## AMPLIFIED PROCEDURES

### ENGINE FAILURE

If an engine failure occurs during the takeoff run, the most important thing to do is stop the airplane on the remaining runway. Those extra items on the checklist will provide added safety after a failure of this type.

Prompt lowering of the nose to maintain airspeed and establish a glide attitude is the first response to an engine failure after takeoff. In most cases, the landing should be planned straight ahead with only small changes in direction to avoid obstructions. Altitude and airspeed are seldom sufficient to execute a 180° gliding turn necessary to return to the runway. The checklist procedures assume that adequate time exists to secure the fuel and ignition systems prior to touchdown.

After an engine failure in flight, the best glide speed as shown in figure 3-1 should be established as quickly as possible. While gliding toward a suitable landing area, an effort should be made to identify the cause of the failure. If time permits, an engine restart should be attempted as shown in the checklist. If the engine cannot be restarted, a forced landing without power must be completed.

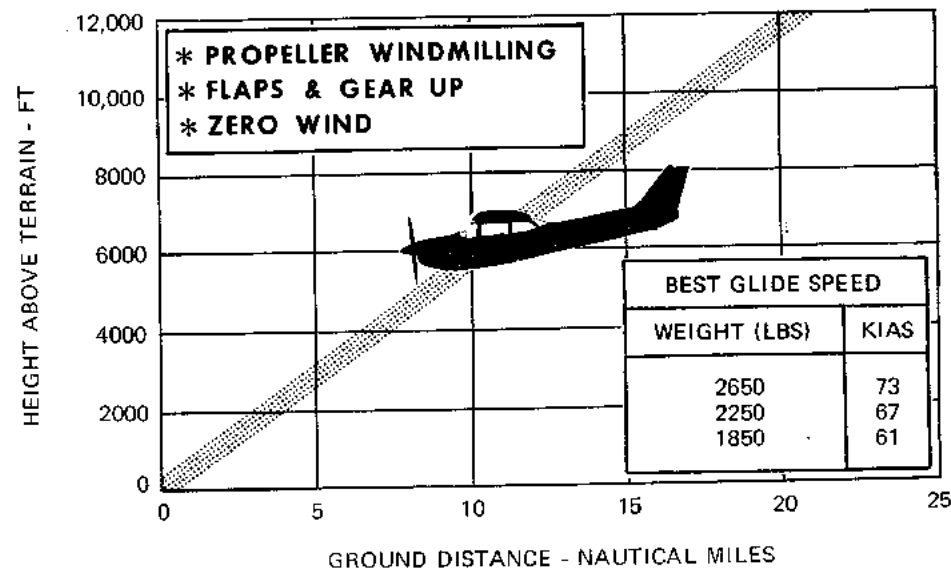


Figure 3-1. Maximum Glide



## FORCED LANDINGS

If all attempts to restart the engine fail and a forced landing is imminent, select a suitable field and prepare for the landing as discussed in the checklist for Emergency Landing Without Engine Power.

Before attempting an "off airport" landing with engine power available, one should fly over the landing area at a safe but low altitude to inspect the terrain for obstructions and surface conditions, proceeding as discussed under the Precautionary Landing With Engine Power checklist.

Prepare for ditching by securing or jettisoning heavy objects located in the baggage area and collect folded coats for protection of occupants' face at touchdown. Transmit Mayday message on 121.5 MHz giving location and intentions and squawk 7700 if a transponder is installed. Avoid a landing flare because of difficulty in judging height over a water surface.

In a forced landing situation, do not turn off the avionics power and master switches until a landing is assured. Premature deactivation of the switches will disable the encoding altimeter and airplane electrical systems.

## LANDING WITHOUT ELEVATOR CONTROL

With airspeed below 130 KIAS, simultaneously select gear down and 10° flaps. Trim for horizontal flight with an airspeed of approximately 70 KIAS by using throttle and elevator trim control. Then **do not change the elevator trim control setting**; control the glide angle by adjusting power exclusively.

At flareout, the nose-down moment resulting from power reduction is an adverse factor and the airplane may hit on the nose wheel. Consequently, at flareout, the elevator trim control should be adjusted toward the nose-up position and the power adjusted so that the airplane will rotate to the horizontal attitude for touchdown. Close the throttle at touchdown.

## FIRES

Although engine fires are extremely rare in flight, the steps of the appropriate checklist should be followed if one is encountered. After completion of this procedure, execute a forced landing. Do not attempt to restart the engine.

The initial indication of an electrical fire is usually the odor of burning insulation. The checklist for this problem should result in elimination of the fire.

## EMERGENCY OPERATION IN CLOUDS (Vacuum System Failure)

In the event of a vacuum system failure during flight, the directional indicator and attitude indicator will be disabled, and the pilot will have to rely on the turn coordinator if he inadvertently flies into clouds. The following instructions assume that only the electrically-powered turn coordinator is operative, and that the pilot is not completely proficient in instrument flying.

### EXECUTING A 180° TURN IN CLOUDS

Upon inadvertently entering the clouds, an immediate plan should be made to turn back as follows:

1. Note the compass heading.
2. Note the time of the minute hand and observe the position of the sweep second hand on the clock.
3. When the sweep second hand indicates the nearest half-minute, initiate a standard rate left turn, holding the turn coordinator symbolic airplane wing opposite the lower left index mark for 60 seconds. Then roll back to level flight by leveling the miniature airplane.
4. Check accuracy of the turn by observing the compass heading which should be the reciprocal of the original heading.
5. If necessary, adjust heading primarily with skidding motions rather than rolling motions so that the compass will read more accurately.
6. Maintain altitude and airspeed by cautious application of elevator control. Avoid overcontrolling by keeping the hands off the control wheel as much as possible and steering only with rudder.

### EMERGENCY DESCENT THROUGH CLOUDS

If conditions preclude reestablishment of VFR flight by a 180° turn, a descent through a cloud deck to VFR conditions may be appropriate. If possible, obtain radio clearance for an emergency descent through clouds. To guard against a spiral dive, choose an easterly or westerly heading to minimize compass card swings due to changing bank angles. In addition, keep hands off the control wheel and steer a straight course with rudder

control by monitoring the turn coordinator. Occasionally check the compass heading and make minor corrections to hold an approximate course. Before descending into the clouds, set up a stabilized let-down condition as follows:

1. Extend landing gear.
2. Apply full rich mixture.
3. Apply full carburetor heat.
4. Reduce power to set up a 500 to 800 ft/min rate of descent.
5. Adjust the elevator and rudder trim control wheels for a stabilized descent at 80 KIAS.
6. Keep hands off control wheel.
7. Monitor turn coordinator and make corrections by rudder alone.
8. Adjust rudder trim to relieve unbalanced rudder force, if present.
9. Check trend of compass card movement and make cautious corrections with rudder to stop turn.
10. Upon breaking out of clouds, resume normal cruising flight.

## RECOVERY FROM A SPIRAL DIVE

If a spiral is encountered, proceed as follows:

1. Close the throttle.
2. Stop the turn by using coordinated aileron and rudder control to align the symbolic airplane in the turn coordinator with the horizon reference line.
3. Cautiously apply elevator back pressure to slowly reduce the indicated airspeed to 80 KIAS.
4. Adjust the elevator trim control to maintain an 80 KIAS glide.
5. Keep hands off the control wheel, using rudder control to hold a straight heading. Use rudder trim to relieve unbalanced rudder force, if present.
6. Apply carburetor heat.
7. Clear engine occasionally, but avoid using enough power to disturb the trimmed glide.
8. Upon breaking out of clouds, resume normal cruising flight.

## INADVERTENT FLIGHT INTO ICING CONDITIONS

Flight into icing conditions is prohibited. An inadvertent encounter with these conditions can best be handled using the checklist procedures. The best procedure, of course, is to turn back or change altitude to escape icing conditions.

## STATIC SOURCE BLOCKED

If erroneous readings of the static source instruments (airspeed, altimeter and vertical speed) are suspected, the alternate static source valve should be pulled on, thereby supplying static pressure to these instruments from the cabin. Cabin pressures will vary with open ventilators or windows and with airspeed. To avoid the possibility of large errors, the windows should not be open when using the alternate static source.

### NOTE

In an emergency on airplanes not equipped with an alternate static source, cabin pressure can be supplied to the static pressure instruments by breaking the glass in the face of the vertical speed indicator.

A calibration table is provided in Section 5 to illustrate the effect of the alternate static source on indicated airspeeds. With the windows closed and the heater and defroster full on, the airspeed indicator may typically read as much as 3 knots slower and the altimeter 35 feet lower in cruise. If the alternate static source must be used for landing, the normal indicated approach speed may be used since the indicated airspeed variations in this configuration are 2 knots or less.

## SPINS

Intentional spins are prohibited in this airplane. Should an inadvertent spin occur, the following recovery procedure should be used:

1. RETARD THROTTLE TO IDLE POSITION.
2. PLACE AILERONS IN NEUTRAL POSITION.
3. APPLY AND HOLD FULL RUDDER OPPOSITE TO THE DIRECTION OF ROTATION.
4. JUST AFTER THE RUDDER REACHES THE STOP, MOVE THE WHEEL **BRISKLY** FORWARD FAR ENOUGH TO BREAK THE STALL. Full down elevator may be required at aft center of gravity loadings to assure optimum recoveries.
5. **HOLD THESE CONTROL INPUTS UNTIL ROTATION STOPS** Premature relaxation of the control inputs may extend the recovery.
6. AS ROTATION STOPS, NEUTRALIZE RUDDER, AND MAKE A SMOOTH RECOVERY FROM THE RESULTING DIVE.

### NOTE

If disorientation precludes a visual determination of the

direction of rotation, the symbolic airplane in the turn coordinator may be referred to for this information.

## **ROUGH ENGINE OPERATION OR LOSS OF POWER**

### **CARBURETOR ICING**

An unexplained drop in manifold pressure and eventual engine roughness may result from the formation of carburetor ice. To clear the ice, apply full throttle and pull the carburetor heat knob full out until the engine runs smoothly; then remove carburetor heat and readjust the throttle. If conditions require the continued use of carburetor heat in cruise flight, use the minimum amount of heat necessary to prevent ice from forming and lean the mixture for smoothest engine operation.

### **SPARK PLUG FOULING**

A slight engine roughness in flight may be caused by one or more spark plugs becoming fouled by carbon or lead deposits. This may be verified by turning the ignition switch momentarily from BOTH to either L or R position. An obvious power loss in single ignition operation is evidence of spark plug or magneto trouble. Assuming that spark plugs are the more likely cause, lean the mixture to the recommended lean setting for cruising flight. If the problem does not clear up in several minutes, determine if a richer mixture setting will produce smoother operation. If not, proceed to the nearest airport for repairs using the BOTH position of the ignition switch unless extreme roughness dictates the use of a single ignition position.

### **MAGNETO MALFUNCTION**

A sudden engine roughness or misfiring is usually evidence of magneto problems. Switching from BOTH to either L or R ignition switch position will identify which magneto is malfunctioning. Select different power settings and enrichen the mixture to determine if continued operation on BOTH magnetos is practicable. If not, switch to the good magneto and proceed to the nearest airport for repairs.

### **ENGINE-DRIVEN FUEL PUMP FAILURE**

In the event of an engine-driven fuel pump failure, gravity flow will provide sufficient fuel flow for level or descending flight. However, in a climbing attitude or anytime the fuel pressure drops to 0.5 PSI, the auxiliary fuel pump should be turned on.

## **LOW OIL PRESSURE**

If low oil pressure is accompanied by normal oil temperature, there is a possibility the oil pressure gage or relief valve is malfunctioning. A leak in the line to the gage is not necessarily cause for an immediate precautionary landing because an orifice in this line will prevent a sudden loss of oil from the engine sump. However, a landing at the nearest airport would be advisable to inspect the source of trouble.

If a total loss of oil pressure is accompanied by a rise in oil temperature, there is good reason to suspect an engine failure is imminent. Reduce engine power immediately and select a suitable forced landing field. Use only the minimum power required to reach the desired touchdown spot.

## **LANDING GEAR MALFUNCTION PROCEDURES**

In the event of possible landing gear retraction or extension malfunctions, there are several general checks that should be made prior to initiating the steps outlined in the following paragraphs.

In analyzing a landing gear malfunction, first check that the master switch is ON and the LDG GEAR and GEAR PUMP circuit breakers are in: reset, if necessary. Also, check both landing gear position indicator lights for operation by "pressing-to-test" the light units and rotating them at the same time to check for open dimming shutters. A burned-out bulb can be replaced in flight by using the bulb from the remaining gear position indicator light.

### **RETRACTION MALFUNCTIONS**

If the landing gear fails to retract normally, or an intermittent GEAR UP indicator light is present, check the indicator light for proper operation and attempt to recycle the landing gear. Place the landing gear lever in the GEAR DOWN position. When the GEAR DOWN light illuminates, reposition the gear lever in the GEAR UP position for another retraction attempt. If the GEAR UP indicator light still fails to illuminate, the flight may be continued to an airport having maintenance facilities, if practical. If gear motor operation is audible after a period of one minute following gear lever retraction actuation, pull the GEAR PUMP circuit breaker switch to prevent the electric motor from overheating. In this event, remember to re-engage the circuit breaker switch just prior to landing. Intermittent gear motor operation may also be detected by momentary fluctuations of the ammeter needle.

## EXTENSION MALFUNCTIONS

Normal landing gear extension time is approximately 5 seconds. If the landing gear will not extend normally, perform the general checks of circuit breakers and master switch and repeat the normal extension procedures at a reduced airspeed of 100 KIAS. The landing gear lever must be in the down position with the detent engaged. If efforts to extend and lock the gear through the normal landing gear system fail, the gear can be manually extended (as long as hydraulic system fluid has not been completely lost) by use of the emergency hand pump. The hand pump is located between the front seats.

A checklist is provided for step-by-step instructions for a manual gear extension.

If gear motor operation is audible after a period of one minute following gear lever extension actuation, pull the GEAR PUMP circuit breaker to prevent the electric motor from overheating. In this event, remember to re-engage the circuit breaker just prior to landing.

## GEAR UP LANDINGS

If the landing gear remains retracted or is only partially extended, and all efforts to fully extend it (including manual extension) have failed, plan a wheels-up landing. In preparation for landing, reposition the landing gear lever to GEAR UP and push the LDG GEAR and GEAR PUMP circuit breakers in to allow the landing gear to swing into the gear wells at touchdown. Then proceed in accordance with the checklist.

## ELECTRICAL POWER SUPPLY SYSTEM MALFUNCTIONS

Malfunctions in the electrical power supply system can be detected by periodic monitoring of the ammeter and low-voltage warning light; however, the cause of these malfunctions is usually difficult to determine. A broken alternator drive belt or wiring is most likely the cause of alternator failures, although other factors could cause the problem. A defective alternator control unit can also cause malfunctions. Problems of this nature constitute an electrical emergency and should be dealt with immediately. Electrical power malfunctions usually fall into two categories: excessive rate of charge and insufficient rate of charge. The paragraphs below describe the recommended remedy for each situation.

## EXCESSIVE RATE OF CHARGE

After engine starting and heavy electrical usage at low engine speeds (such as extended taxiing) the battery condition will be low enough to accept above normal charging during the initial part of a flight. However, after thirty minutes of cruising flight, the ammeter should be indicating less than two needle widths of charging current. If the charging rate were to remain above this value on a long flight, the battery would overheat and evaporate the electrolyte at an excessive rate.

Electronic components in the electrical system can be adversely affected by higher than normal voltage. The alternator control unit includes an over-voltage sensor which normally will automatically shut down the alternator if the charge voltage reaches approximately 31.5 volts. If the over-voltage sensor malfunctions, as evidenced by an excessive rate of charge shown on the ammeter, the alternator should be turned off, alternator circuit breaker pulled, nonessential electrical equipment turned off and the flight terminated as soon as practical.

## INSUFFICIENT RATE OF CHARGE

### NOTE

Illumination of the low-voltage light and ammeter discharge indications may occur during low RPM conditions with an electrical load on the system, such as during a low RPM taxi. Under these conditions, the light will go out at higher RPM. The master switch need not be recycled since an over-voltage condition has not occurred to de-activate the alternator system.

If the over-voltage sensor should shut down the alternator or if the alternator output is low, a discharge rate will be shown on the ammeter followed by illumination of the low-voltage warning light. Since this may be a "nuisance" trip-out, an attempt should be made to reactivate the alternator system. To do this, turn the avionics power switch off, check that the alternator circuit breaker is in, then turn both sides of the master switch off and then on again. If the problem no longer exists, normal alternator charging will resume and the low-voltage light will go off. The avionics power switch may then be turned back on. If the light illuminates again, a malfunction is confirmed. In this event, the flight should be terminated and/or the current drain on the battery minimized because the battery can supply the electrical system for only a limited period of time. Battery power must be conserved for later operation of the landing gear and wing flaps and, if the emergency occurs at night, for possible use of the landing lights during landing.

# SECTION 4

# NORMAL PROCEDURES

## TABLE OF CONTENTS

|                                       | Page |
|---------------------------------------|------|
| Introduction . . . . .                | 4-3  |
| Speeds For Normal Operation . . . . . | 4-3  |

### CHECKLIST PROCEDURES

|                                     |      |
|-------------------------------------|------|
| Preflight Inspection . . . . .      | 4-5  |
| Cabin . . . . .                     | 4-5  |
| Empennage . . . . .                 | 4-5  |
| Right Wing, Trailing Edge . . . . . | 4-5  |
| Right Wing . . . . .                | 4-5  |
| Nose . . . . .                      | 4-6  |
| Left Wing . . . . .                 | 4-6  |
| Left Wing, Leading Edge . . . . .   | 4-6  |
| Left Wing, Trailing Edge . . . . .  | 4-6  |
| Before Starting Engine . . . . .    | 4-7  |
| Starting Engine . . . . .           | 4-7  |
| Before Takeoff . . . . .            | 4-7  |
| Takeoff . . . . .                   | 4-8  |
| Normal Takeoff . . . . .            | 4-8  |
| Short Field Takeoff . . . . .       | 4-9  |
| Enroute Climb . . . . .             | 4-9  |
| Normal Climb . . . . .              | 4-9  |
| Maximum Performance Climb . . . . . | 4-9  |
| Cruise . . . . .                    | 4-9  |
| Descent . . . . .                   | 4-9  |
| Before Landing . . . . .            | 4-10 |
| Landing . . . . .                   | 4-10 |
| Normal Landing . . . . .            | 4-10 |
| Short Field Landing . . . . .       | 4-10 |
| Balked Landing . . . . .            | 4-11 |
| After Landing . . . . .             | 4-11 |
| Securing Airplane . . . . .         | 4-11 |

## TABLE OF CONTENTS (Continued)

|   | Page |
|---|------|
| AMPLIFIED PROCEDURES  |      |
| Starting Engine . . . . .                                       | 4-13 |
| Taxiing . . . . .   | 4-13 |
| Before Takeoff . . . . .  | 4-15 |
| Warm-Up . . . . .   | 4-15 |
| Magnetos Check . . . . .  | 4-15 |
| Alternator Check . . . . .                                      | 4-15 |
| Takeoff . . . . .   | 4-15 |
| Power Check . . . . .   | 4-15 |
| Wing Flap Settings . . . . .                                    | 4-16 |
| Crosswind Takeoff . . . . .                                     | 4-16 |
| Landing Gear Retraction . . . . .                               | 4-16 |
| Enroute Climb . . . . .   | 4-17 |
| Cruise . . . . .  | 4-17 |
| Leaning With A Cessna Economy Mixture Indicator (EGT) . . . . . | 4-19 |
| Stalls . . . . .  | 4-20 |
| Before Landing . . . . .  | 4-20 |
| Landing . . . . .   | 4-20 |
| Normal Landing . . . . .  | 4-20 |
| Short Field Landing . . . . .                                   | 4-20 |
| Crosswind Landing . . . . .                                     | 4-21 |
| Balked Landing . . . . .  | 4-21 |
| Cold Weather Operation . . . . .                                | 4-21 |
| Starting . . . . .  | 4-21 |
| Operation . . . . .   | 4-23 |
| Hot Weather Operation . . . . .                                 | 4-23 |
| Noise Characteristics . . . . .                                 | 4-24 |

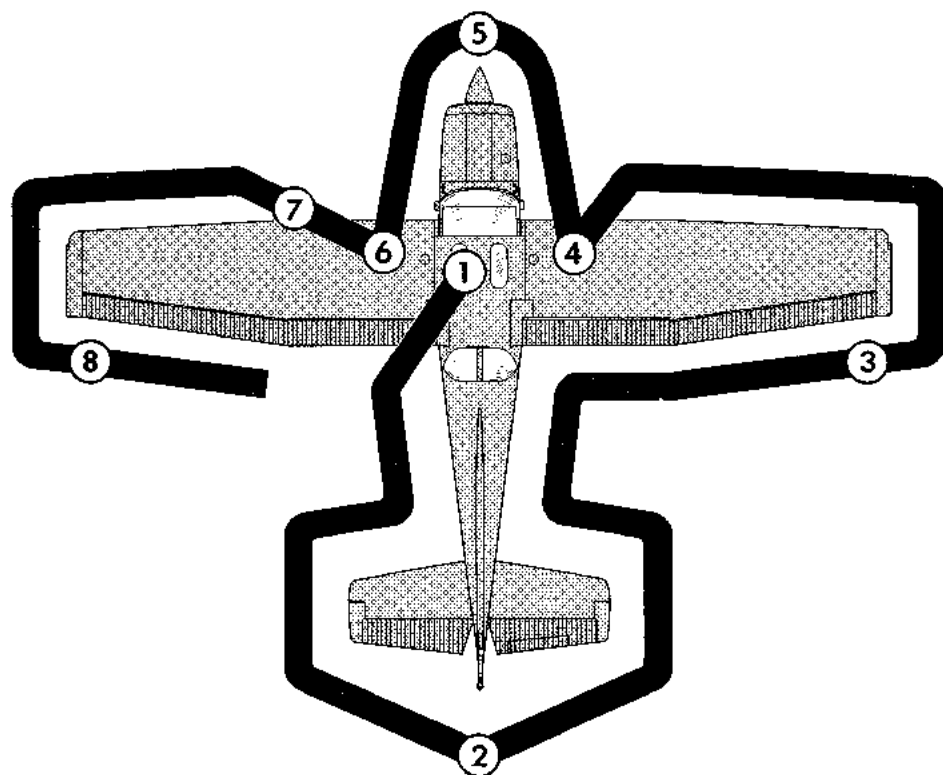
## INTRODUCTION

Section 4 provides checklist and amplified procedures for the conduct of normal operation. Normal procedures associated with optional systems can be found in Section 9.

## SPEEDS FOR NORMAL OPERATION

Unless otherwise noted, the following speeds are based on a maximum weight of 2650 pounds and may be used for any lesser weight. However, to achieve the performance specified in Section 5 for takeoff distance, the speed appropriate to the particular weight must be used.

|   |            |
|---|------------|
| Takeoff:  |            |
| Normal Climb Out . . . . .                                | 70-80 KIAS |
| Short Field Takeoff, Flaps 0°, Speed at 50 Feet . . . . . | 63 KIAS    |
| Enroute Climb, Flaps and Gear Up:                         |            |
| Normal . . . . .  | 85-95 KIAS |
| Best Rate of Climb, Sea Level . . . . .                   | 84 KIAS    |
| Best Rate of Climb, 10,000 Feet . . . . .                 | 77 KIAS    |
| Best Angle of Climb, Sea Level . . . . .                  | 67 KIAS    |
| Best Angle of Climb, 10,000 Feet . . . . .                | 68 KIAS    |
| Landing Approach:   |            |
| Normal Approach, Flaps Up . . . . .                       | 65-75 KIAS |
| Normal Approach, Flaps 30° . . . . .                      | 60-70 KIAS |
| Short Field Approach, Flaps 30° . . . . .                 | 63 KIAS    |
| Balked Landing:   |            |
| Maximum Power, Flaps 20° . . . . .                        | 55 KIAS    |
| Maximum Recommended Turbulent Air Penetration Speed:      |            |
| 2650 Lbs . . . . .  | 106 KIAS   |
| 2250 Lbs . . . . .  | 98 KIAS    |
| 1850 Lbs . . . . .  | 89 KIAS    |
| Maximum Demonstrated Crosswind Velocity:                  |            |
| Takeoff or Landing . . . . .                              | 15 KNOTS   |



**NOTE**

Visually check airplane for general condition during walk-around inspection. In cold weather, remove even small accumulations of frost, ice or snow from wing, tail and control surfaces. Also, make sure that control surfaces contain no internal accumulations of ice or debris. Prior to flight, check that pitot heater (if installed) is warm to touch within 30 seconds with battery and pitot heat switches on. If a night flight is planned, check operation of all lights, and make sure a flashlight is available.

Figure 4-1. Preflight Inspection

**CHECKLIST PROCEDURES**

**PREFLIGHT INSPECTION**

**① CABIN**

1. Pilot's Operating Handbook -- AVAILABLE IN THE AIRPLANE.
2. Landing Gear Lever -- DOWN.
3. Control Wheel Lock -- REMOVE.
4. Ignition Switch -- OFF.
5. Avionics Power Switch -- OFF.
6. Master Switch -- ON.

**WARNING**

When turning on the master switch, using an external power source, or pulling the propeller through by hand, treat the propeller as if the ignition switch were on. Do not stand, nor allow anyone else to stand, within the arc of the propeller, since a loose or broken wire, or a component malfunction, could cause the propeller to rotate.

7. Fuel Quantity Indicators -- CHECK QUANTITY.
8. Landing Gear Position Indicator Light (green) -- ILLUMINATED.
9. Avionics Cooling Fan -- CHECK AUDIBLY FOR OPERATION.
10. Master Switch -- OFF.
11. Fuel Selector Valve -- BOTH.
12. Static Pressure Alternate Source Valve (if installed) -- OFF.
13. Baggage Door -- CHECK for security.

**② EMPENNAGE**

1. Rudder Gust Lock -- REMOVE.
2. Tail Tie-Down -- DISCONNECT.
3. Control Surfaces -- CHECK freedom of movement and security.

**③ RIGHT WING Trailing Edge**

1. Aileron -- CHECK freedom of movement and security.

**④ RIGHT WING**

1. Wing Tie-Down -- DISCONNECT.
2. Main Wheel Tire -- CHECK for proper inflation.

3. Before first flight of the day and after each refueling, use sampler cup and drain small quantity of fuel from fuel tank sump quick-drain valve and fuel selector quick-drain valve (located on bottom of fuselage) to check for water, sediment, and proper fuel grade.
4. Fuel Quantity -- CHECK VISUALLY for desired level.
5. Fuel Filler Cap -- SECURE and vent unobstructed.

#### ⑤ NOSE

1. Static Source Openings (both sides of fuselage) --CHECK for stoppage.
2. Engine Oil Level -- CHECK. Do not operate with less than five quarts. Fill to eight quarts for extended flight.
3. Before first flight of the day and after each refueling, pull out strainer drain knob for about four seconds to clear fuel strainer of possible water and sediment. Check strainer drain closed. If water is observed, the fuel system may contain additional water, and further draining of the system at the strainer, fuel tank sumps, and fuel selector valve will be necessary.
4. Propeller and Spinner -- CHECK for nicks, security and oil leaks.
5. Landing Lights -- CHECK for condition and cleanliness.
6. Nose Gear Doors -- CHECK for security.
7. Nose Wheel Strut and Tire -- CHECK for proper inflation.
8. Nose Tie-Down -- DISCONNECT.

#### ⑥ LEFT WING

1. Main Wheel Tire -- CHECK for proper inflation.
2. Before first flight of day and after each refueling, use sampler cup and drain small quantity of fuel from fuel tank sump quick-drain valve to check for water, sediment and proper fuel grade.
3. Fuel Quantity -- CHECK VISUALLY for desired level.
4. Fuel Filler Cap -- SECURE.

#### ⑦ LEFT WING Leading Edge

1. Pitot Tube Cover -- REMOVE and check opening for stoppage.
2. Fuel Tank Vent Opening -- CHECK for stoppage.
3. Stall Warning Vane -- CHECK for freedom of movement while master switch is momentarily turned ON (horn should sound when vane is pushed upward).
4. Wing Tie-Down -- DISCONNECT.

#### ⑧ LEFT WING Trailing Edge

1. Aileron -- CHECK for freedom of movement and security.

## BEFORE STARTING ENGINE

1. Preflight Inspection -- COMPLETE.
2. Seats, Seat Belts, Shoulder Harnesses -- ADJUST and LOCK.
3. Fuel Selector Valve -- BOTH.
4. Avionics Power Switch, Autopilot (if installed), Electrical Equipment -- OFF.

### CAUTION

The avionics power switch must be OFF during engine start to prevent possible damage to avionics.

5. Brakes -- TEST and SET.
6. Cowl Flaps -- OPEN (move lever out of locking hole to reposition).
7. Landing Gear Lever -- DOWN
8. Circuit Breakers -- CHECK IN.

## STARTING ENGINE

1. Mixture -- RICH.
2. Propeller -- HIGH RPM.
3. Carburetor Heat -- COLD.
4. Throttle -- PUMP once or twice; leave open 1/4 inch. If engine is hot, turn auxiliary fuel pump ON during start.
5. Propeller Area -- CLEAR.
6. Master Switch -- ON.
7. Ignition Switch -- START (release when engine starts).
8. Oil Pressure -- CHECK.
9. Flashing Beacon and Navigation Lights -- ON as required.
10. Avionics Power Switch -- ON.
11. Radios -- ON.

## BEFORE TAKEOFF

1. Parking Brake -- SET.
2. Cabin Doors -- CLOSED and LOCKED.
3. Flight Controls -- FREE and CORRECT.
4. Flight Instruments -- SET.
5. Fuel Selector Valve -- BOTH.
6. Mixture -- RICH (below 3000 feet).
7. Auxiliary Fuel Pump -- ON (check for rise in fuel pressure), then OFF.



#### NOTE

In flight, gravity feed will normally supply satisfactory fuel flow if the engine-driven fuel pump should fail. However, if a fuel pump failure causes the fuel pressure to drop below 0.5 PSI, use the auxiliary fuel pump to assure proper engine operation.

8. Elevator and Rudder Trim -- TAKEOFF.
9. Throttle -- 1800 RPM.
  - a. Magnetos -- CHECK (RPM drop should not exceed 150 RPM on either magneto or 50 RPM differential between magnetos).
  - b. Propeller -- CYCLE from high to low RPM; return to high RPM (full in).
  - c. Carburetor Heat -- CHECK (for RPM drop).
  - d. Engine Instruments and Ammeter -- CHECK.
  - e. Suction Gage -- CHECK.
10. Throttle -- 1000 RPM or less.
11. Radios -- SET.
12. Autopilot (if installed) -- OFF.
13. Strobe Lights -- AS DESIRED.
14. Throttle Friction Lock -- ADJUST.
15. Parking Brake -- RELEASE.

## TAKEOFF

### NORMAL TAKEOFF

1. Wing Flaps -- 0°.
2. Carburetor Heat -- COLD.
3. Power -- FULL THROTTLE and 2700 RPM.
4. Elevator Control -- LIFT NOSE WHEEL at 55 KIAS.

#### NOTE

When the nose wheel is lifted, the gear motor may run 1-2 seconds to restore hydraulic pressure.

5. Climb Speed -- 70-80 KIAS.
6. Brakes -- APPLY momentarily when airborne.
7. Landing Gear -- RETRACT in climb out.

## SHORT FIELD TAKEOFF

1. Wing Flaps -- 0°.
2. Carburetor Heat -- COLD.
3. Brakes -- APPLY.
4. Power -- FULL THROTTLE and 2700 RPM.
5. Brakes -- RELEASE.
6. Elevator Control -- MAINTAIN SLIGHTLY TAIL-LOW ATTITUDE.
7. Climb Speed -- 63 KIAS until all obstacles are cleared.
8. Landing Gear -- RETRACT after obstacles are cleared.

## ENROUTE CLIMB

### NORMAL CLIMB

1. Airspeed -- 85-95 KIAS.
2. Power -- 25 INCHES Hg and 2500 RPM.
3. Fuel Selector Valve -- BOTH.
4. Mixture -- FULL RICH (mixture may be leaned above 3000 feet).
5. Cowl Flaps -- OPEN as required.

### MAXIMUM PERFORMANCE CLIMB

1. Airspeed -- 84 KIAS at sea level to 77 KIAS at 10,000 feet.
2. Power -- FULL THROTTLE and 2700 RPM.
3. Fuel Selector Valve -- BOTH.
4. Mixture -- FULL RICH (mixture may be leaned above 3000 feet).
5. Cowl Flaps -- FULL OPEN.

## CRUISE

1. Power -- 15-25 INCHES Hg, 2100-2700 RPM.
2. Elevator and Rudder Trim -- ADJUST.
3. Mixture -- LEAN.
4. Cowl Flaps -- CLOSED.

## DESCENT

1. Fuel Selector Valve -- BOTH.
2. Power -- AS DESIRED.
3. Carburetor Heat -- FULL HEAT AS REQUIRED to prevent carburetor icing.

4. Mixture -- ENRICHEN as required.
5. Cowl Flaps -- CLOSED.
6. Wing Flaps -- AS DESIRED (0° - 10° below 130 KIAS, 10° - 30° below 100 KIAS).

#### NOTE

The landing gear may be extended below 140 KIAS to increase the rate of descent.

## BEFORE LANDING

1. Seats, Seat Belts, Shoulder Harnesses -- ADJUST and LOCK.
2. Fuel Selector Valve -- BOTH.
3. Landing Gear -- DOWN (below 140 KIAS).
4. Landing Gear -- CHECK (observe main gear down and green indicator light illuminated).
5. Mixture -- RICH.
6. Carburetor Heat -- ON (apply full heat before closing throttle).
7. Propeller -- HIGH RPM.
8. Autopilot (if installed) -- OFF.

## LANDING

### NORMAL LANDING

1. Airspeed -- 65-75 KIAS (flaps UP).
2. Wing Flaps -- AS DESIRED (0° - 10° below 130 KIAS, 10°-30° below 100 KIAS).
3. Airspeed -- 60-70 KIAS (flaps DOWN).
4. Trim -- ADJUST.
5. Touchdown -- MAIN WHEELS FIRST.
6. Landing Roll -- LOWER NOSE WHEEL GENTLY.
7. Braking -- MINIMUM REQUIRED.

### SHORT FIELD LANDING

1. Airspeed -- 65-75 KIAS (flaps UP).
2. Wing Flaps -- 30° (below 100 KIAS).
3. Airspeed -- MAINTAIN 63 KIAS.
4. Trim -- ADJUST.
5. Power -- REDUCE to idle as obstacle is cleared.
6. Touchdown -- MAIN WHEELS FIRST.

7. Brakes -- APPLY HEAVILY.
8. Wing Flaps -- RETRACT for maximum brake effectiveness.

## BALKED LANDING

1. Power -- FULL THROTTLE and 2700 RPM.
2. Carburetor Heat -- COLD.
3. Wing Flaps -- RETRACT to 20°.
4. Climb Speed -- 55 KIAS.
5. Wing Flaps -- RETRACT slowly after reaching 65 KIAS.
6. Cowl Flaps -- OPEN.

## AFTER LANDING

1. Wing Flaps -- UP.
2. Carburetor Heat -- COLD.
3. Cowl Flaps -- OPEN.

## SECURING AIRPLANE

1. Parking Brake -- SET.
2. Throttle -- 1000 RPM.
3. Avionics Power Switch, Electrical Equipment -- OFF.
4. Mixture -- IDLE CUT-OFF (pulled full out).
5. Throttle -- CLOSE as RPM drops.
6. Ignition Switch -- OFF.
7. Master Switch -- OFF.
8. Control Lock -- INSTALL.

## AMPLIFIED PROCEDURES

### STARTING ENGINE

Ordinarily the engine starts easily with one or two pumps of the throttle in warm temperatures with the mixture full rich. If the engine is hot, turn the auxiliary fuel pump switch ON just prior to and during engine cranking to suppress possible vapor in the fuel line. Turn the auxiliary fuel pump switch OFF after the engine starts. In cooler weather, use of the primer will facilitate engine starting.

#### NOTE

Additional details concerning cold weather starting and operation may be found under COLD WEATHER OPERATION paragraphs in this section.

Weak intermittent firing followed by puffs of black smoke from the exhaust stack indicates overpriming or flooding. Excess fuel can be cleared from the combustion chambers by the following procedure: Set the mixture control full lean and the throttle full open; then crank the engine through several revolutions with the starter. Repeat the starting procedure without any additional priming.

If the engine is underprimed (most likely in cold weather with a cold engine) it will not fire at all. Additional priming will be necessary for the next starting attempt.

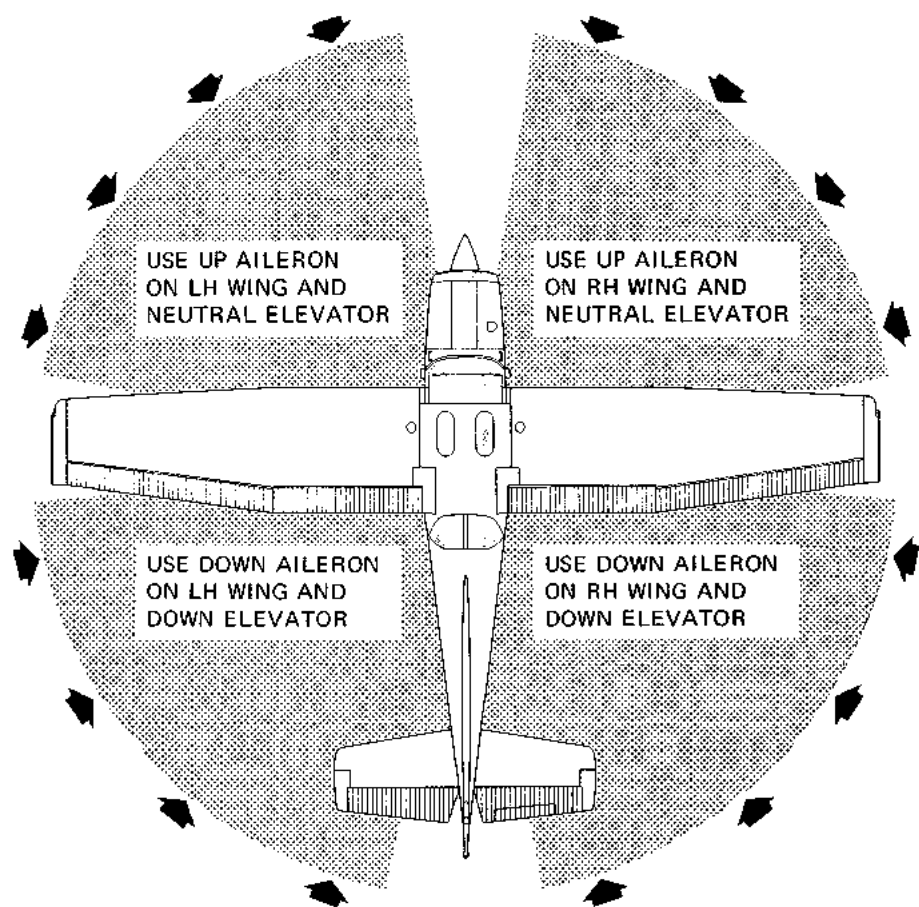
If prolonged cranking is necessary, allow the starter motor to cool at frequent intervals, since excessive heat may damage the armature.

After starting, if the oil gage does not begin to show pressure within 30 seconds in the summertime and about twice that long in very cold weather, stop engine and investigate. Lack of oil pressure can cause serious engine damage. After starting, avoid the use of carburetor heat unless icing conditions prevail.

### TAXIING

When taxiing, it is important that speed and use of brakes be held to a minimum and that all controls be utilized (see Taxiing Diagram, figure 4-2) to maintain directional control and balance.

The carburetor heat control knob should be pushed full in during all ground operations unless heat is absolutely necessary for smooth engine



CODE

WIND DIRECTION →

NOTE

Strong quartering tail winds require caution. Avoid sudden bursts of the throttle and sharp braking when the airplane is in this attitude. Use the steerable nose wheel and rudder to maintain direction.

Figure 4-2. Taxiing Diagram

operation. When the knob is pulled out to the heat position, air entering the engine is not filtered.

Taxiing over loose gravel or cinders should be done at low engine speed to avoid abrasion and stone damage to the propeller tips.

## BEFORE TAKEOFF

### WARM-UP

Since the engine is closely cowled for efficient in-flight cooling, precautions should be taken to avoid overheating on the ground. Full power checks on the ground are not recommended unless the pilot has good reason to suspect that the engine is not turning up properly.

### MAGNETO CHECK

The magneto check should be made at 1800 RPM as follows. Move ignition switch first to R position and note RPM. Next move switch back to BOTH to clear the other set of plugs. Then move switch to the L position, note RPM and return the switch to the BOTH position. RPM drop should not exceed 150 RPM on either magneto or show greater than 50 RPM differential between magnetos. If there is a doubt concerning operation of the ignition system, RPM checks at higher engine speeds will usually confirm whether a deficiency exists.

An absence of RPM drop may be an indication of faulty grounding of one side of the ignition system or should be cause for suspicion that the magneto timing is set in advance of the setting specified.

### ALTERNATOR CHECK

Prior to flights where verification of proper alternator and alternator control unit operation is essential (such as night or instrument flights), a positive verification can be made by loading the electrical system momentarily (3 to 5 seconds) with the landing lights during the engine runup (1800 RPM). The ammeter will remain within a needle width of the initial reading if the alternator and alternator control unit are operating properly.

## TAKEOFF

### POWER CHECK

It is important to check takeoff power early in the takeoff run. Any sign of rough engine operation or sluggish engine acceleration is good cause for discontinuing the takeoff.

Full power runups over loose gravel are especially harmful to propeller tips. When takeoffs must be made over a gravel surface, it is very important that the throttle be advanced slowly. This allows the airplane to start rolling before high RPM is developed, and the gravel will be blown back of the propeller rather than pulled into it. When unavoidable small dents appear in the propeller blades they should be corrected immediately as described in Section 8 under Propeller Care.

After full power is applied, adjust the throttle friction lock clockwise to prevent the throttle from creeping from a maximum power position. Similar friction lock adjustment should be made as required in other flight conditions to maintain a fixed throttle setting.

### WING FLAP SETTINGS

Normal and short field takeoffs are accomplished with wing flaps 0°. To clear an obstacle, an obstacle clearance speed of 63 KIAS should be used.

Soft field takeoffs are performed by lifting the airplane off the ground as soon as practical in a slightly tail-low attitude. If no obstacles are ahead, the airplane should be leveled off immediately to accelerate to a safer climb speed.

At takeoff weights of 2550 pounds or less, 10° flaps may be used if desired for minimum ground runs or takeoffs from soft or rough fields.

### CROSSWIND TAKEOFF

Takeoffs into strong crosswinds normally are performed with the minimum flap setting necessary for the field length, to minimize the drift angle immediately after takeoff. With the ailerons partially deflected into the wind, the airplane is accelerated to a speed slightly higher than normal, and then pulled off abruptly to prevent possible settling back to the runway while drifting. When clear of the ground, make a coordinated turn into the wind to correct for drift.

### LANDING GEAR RETRACTION

Landing gear retraction normally is started after reaching the point over the runway where a wheels-down, forced landing on that runway would become impractical. Since the landing gear swings downward approximately two feet as it starts the retraction cycle, damage can result by retracting it before obtaining at least that much ground clearance.

Before retracting the landing gear, the brakes should be applied momentarily to stop wheel rotation. Centrifugal force caused by the rapidly-spinning wheel expands the diameter of the tire. If there is an accumulation of mud or ice in the wheel wells, the rotating wheel may rub as it is retracted into the wheel well.

### ENROUTE CLIMB

Normal climbs are performed at 85-95 KIAS with flaps up, 25 In. Hg. or full throttle (whichever is less) and 2500 RPM for the best combination of engine cooling, rate of climb and forward visibility. If it is necessary to climb rapidly to clear mountains or reach favorable winds at high altitudes, the best rate-of-climb speed should be used with maximum power. This speed is 84 KIAS at sea level, decreasing to 77 KIAS at 10,000 feet.

If an obstruction ahead requires a steep climb angle, a best angle-of-climb speed should be used with landing gear and flaps up and maximum power. This speed is 67 KIAS at sea level, increasing to 68 KIAS at 10,000 feet.

The mixture should be full rich during climb at altitudes up to 3000 feet. Above 3000 feet, the mixture may be leaned for increased power and smooth engine operation. With the optional Cessna Economy Mixture Indicator, the mixture may be leaned to maintain the EGT indication corresponding to full rich at 3000 feet. Without an EGT indicator, the mixture may be leaned to momentary engine roughness and then enriched two full turns at the mixture control knob. Each of these procedures result in approximately the same mixture and will significantly improve high altitude climb performance.

### CRUISE

Normal cruising is performed between 55% and 75% power. The corresponding power settings and fuel consumption for various altitudes can be determined by using your Cessna Power Computer or the data in Section 5.

#### NOTE

Cruising should be done at a minimum of 75% power until a total of 25 hours has accumulated or oil consumption has stabilized. Operation at this higher power will ensure

proper seating of the rings and is applicable to new engines, and engines in service following cylinder replacement or top overhaul of one or more cylinders.

The Cruise Performance Table, figure 4-3, illustrates the true airspeed and nautical miles per gallon during cruise for various altitudes and percent powers. This table should be used as a guide, along with the available winds aloft information, to determine the most favorable altitudes and power setting for a given trip. The selection of cruise altitude on the basis of the most favorable wind conditions and the use of low power settings are significant factors that should be considered on every trip to reduce fuel consumption.

The tachometer is marked with a green arc from 2100 to 2700 RPM with a step at 2500 RPM. The use of 2500 RPM will allow 75% power at altitudes up to 7500 feet on a standard day. For hot day or high altitude conditions, the cruise RPM may be increased to 2700 RPM. Cruise at 2700 RPM permits the use of 75% power at altitudes up to 9000 feet on a standard day. However, for reduced noise levels it is desirable to select the lowest RPM in the green arc range for a given percent power that will provide smooth engine operation.

The cowl flaps should be opened, if necessary, to maintain the cylinder head temperature at approximately two-thirds of the normal operating range (green arc).

Cruise performance data in this handbook and on the power computer is based on a recommended lean mixture setting which may be established as follows:

1. Lean the mixture until the engine becomes rough.
2. Enrichen the mixture to obtain smooth engine operation; then further enrichen an equal amount.

| ALTITUDE            | 75% POWER |      | 65% POWER |      | 55% POWER |           |
|---------------------|-----------|------|-----------|------|-----------|-----------|
|                     | KTAS      | NMPG | KTAS      | NMPG | KTAS      | NMPG      |
| 3000                | 132       | 13.2 | 124       | 14.2 | 114       | 15.0      |
| 6000                | 136       | 13.6 | 127       | 14.6 | 116       | 15.3      |
| 9000                | 140       | 14.0 | 130       | 14.9 | 118       | 15.6      |
| Standard Conditions |           |      |           |      |           | Zero Wind |

Figure 4-3. Cruise Performance Table

For best fuel economy at 75% power or less, the engine may be operated at the leanest mixture that results in smooth engine operation. This will result in approximately 8% greater range than shown in this handbook accompanied by approximately 3 knots decrease in speed.

Any change in altitude, power or carburetor heat will require a change in the recommended lean mixture setting and a recheck of the EGT setting (if installed).

Carburetor ice, as evidenced by an unexplained drop in manifold pressure, can be removed by application of full carburetor heat. Upon regaining the original manifold pressure indication (with heat off), use the minimum amount of heat (by trial and error) to prevent ice from forming. Since the heated air causes a richer mixture, readjust the mixture setting when carburetor heat is to be used continuously in cruise flight.

### LEANING WITH A CESSNA ECONOMY MIXTURE INDICATOR (EGT)

Exhaust gas temperature (EGT) as shown on the optional Cessna Economy Mixture Indicator may be used as an aid for mixture leaning in cruising flight at 75% power or less. To adjust the mixture, using this indicator, lean to establish the peak EGT as a reference point and then enrichen the mixture by a desired increment based on data in figure 4-4.

As noted in the table, operation at peak EGT provides best fuel economy. This results in approximately 8% greater range than shown in this handbook accompanied by approximately 3 knots decrease in speed.

When leaning the mixture under some conditions, engine roughness may occur before peak EGT is reached. In this case, use the EGT corresponding to the onset of roughness as the reference point instead of peak EGT.

| MIXTURE DESCRIPTION  | EXHAUST GAS TEMPERATURE |
|--|-------------------------|
| RECOMMENDED LEAN<br>(Pilot's Operating Handbook<br>and Power Computer) | 50° F Rich of Peak EGT  |
| BEST ECONOMY   | Peak EGT                |

Figure 4-4. EGT Table

## STALLS

The stall characteristics are conventional and aural warning is provided by a stall warning horn which sounds between 5 and 10 knots above the stall in all configurations.

Power-off stall speeds at maximum weight for both forward and aft C.G. positions are presented in Section 5.

## BEFORE LANDING

In view of the relatively low drag of the extended landing gear and the high allowable gear operating speed (140 KIAS), the landing gear should be extended before entering the traffic pattern. This practice will allow more time to confirm that the landing gear is down and locked. As a further precaution, leave the landing gear extended in go-around procedures or traffic patterns for touch-and-go landings.

Landing gear extension can be detected by illumination of the gear down indicator light (green), absence of a gear warning horn with the throttle retarded below 12 inches of manifold pressure and/or the wing flaps extended beyond 20°, and visual inspection of the main gear position. Should the gear indicator light fail to illuminate, the light should be checked for a burned-out bulb by pushing to test. A burned-out bulb can be replaced in flight with the landing gear up (amber) indicator light.

## LANDING

### NORMAL LANDING

Landings should be made on the main wheels first to reduce the landing speed and the subsequent need for braking in the landing roll. The nose wheel is lowered gently to the runway after the speed has diminished to avoid unnecessary nose gear load. This procedure is especially important in rough field landings.

### SHORT FIELD LANDING

For a short field landing over an obstacle, make a relatively steep, low-power approach at 63 KIAS with 30° flaps. As the obstacle is cleared, reduce power to idle, maintain 63 KIAS and flare to land on the main wheels first. Immediately after touchdown, lower the nose gear to the ground and apply heavy braking as required. For maximum brake

effectiveness after all three wheels are on the ground, retract the flaps, hold full nose up elevator and apply maximum possible brake pressure without sliding the tires.

## CROSSWIND LANDING

When landing in a strong crosswind, use the minimum flap setting required for the field length. Although the crab or combination method of drift correction may be used, the wing-low method gives the best control. After touchdown, hold a straight course with the steerable nose wheel and occasional braking if necessary.

## BALKED LANDING

In a balked landing (go-around) climb, the wing flap setting should be reduced to 20° immediately after full power is applied. After all obstacles are cleared and a safe altitude and airspeed are obtained, the wing flaps should be retracted.

## COLD WEATHER OPERATION

### STARTING

Prior to starting on cold mornings, it is advisable to pull the propeller through several times by hand to "break loose" or "limber" the oil, thus conserving battery energy.

#### NOTE

When pulling the propeller through by hand, treat it as if the ignition switch is turned on. A loose or broken ground wire on either magneto could cause the engine to fire.

In extremely cold (-18°C and lower) weather, the use of an external pre-heater and an external power source are recommended whenever possible to obtain positive starting and to reduce wear and abuse to the engine and the electrical system. Pre-heat will thaw the oil trapped in the oil cooler, which probably will be congealed prior to starting in extremely cold temperatures. When using an external power source, the position of the master switch is important. Refer to Section 9, Supplements, for Ground Service Plug Receptacle operating details.

Cold weather starting procedures are as follows:

**With Preheat:**

1. With ignition switch OFF and throttle closed, prime the engine two to four strokes as the propeller is being turned over by hand.

**NOTE**

Use heavy strokes of primer for best atomization of fuel. After priming, push primer all the way in and turn to locked position to avoid possibility of engine drawing fuel through the primer.

2. Propeller Area -- CLEAR.
3. Avionics Power Switch -- OFF.
4. Master Switch -- ON.
5. Mixture -- FULL RICH.
6. Throttle -- OPEN 1/4 INCH.
7. Ignition Switch -- START.
8. Release ignition switch to BOTH when engine starts.
9. Oil Pressure -- CHECK.

**Without Preheat:**

1. Prime the engine four to eight strokes while the propeller is being turned by hand with the throttle closed. Leave the primer charged and ready for a stroke.
2. Propeller Area -- CLEAR.
3. Avionics Power Switch -- OFF.
4. Master Switch -- ON.
5. Mixture -- FULL RICH.
6. Pump throttle rapidly to full open twice. Return to 1/4 inch open position.
7. Ignition Switch -- START.
8. Release ignition switch to BOTH when engine starts.
9. Continue to prime engine until it is running smoothly, or alternately, pump throttle rapidly over first 1/4 of total travel.
10. Oil Pressure -- CHECK.
11. Pull carburetor heat knob full on after engine has started. Leave on until engine is running smoothly.
12. Primer -- LOCK.

**NOTE**

If the engine does not start during the first few attempts, or if engine firing diminishes in strength, it is probable that the spark plugs have been frosted over. Preheat must be used before another start is attempted.

**CAUTION**

Excessive pumping of the throttle may cause raw fuel to accumulate in the intake manifold, creating a fire hazard in the event of a backfire. If this occurs, maintain a cranking action to suck flames into the engine. An outside attendant with a fire extinguisher is advised for cold starts without preheat.

**OPERATION**

During cold weather operations, no indication will be apparent on the oil temperature gage prior to takeoff if outside air temperatures are very cold. After a suitable warm-up period (2 to 5 minutes at 1000 RPM), accelerate the engine several times to higher engine RPM. If the engine accelerates smoothly and the oil pressure remains normal and steady, the airplane is ready for takeoff.

Rough engine operation in cold weather can be caused by a combination of an inherently leaner mixture due to the dense air and poor vaporization and distribution of the fuel-air mixture to the cylinders. The effects of these conditions are especially noticeable during operation on one magneto in ground checks where only one spark plug fires in each cylinder.

For optimum operation of the engine in cold weather, the appropriate use of carburetor heat may be necessary. The following procedures are indicated as a guideline:

1. Use the minimum carburetor heat required for smooth operation in takeoff, climb, and cruise.

**NOTE**

Care should be exercised when using partial carburetor heat to avoid icing. Partial heat may raise the carburetor air temperature to 0° to 21°C range where icing is critical under certain atmospheric conditions.

2. If the airplane is equipped with a carburetor air temperature gage, it can be used as a reference in maintaining carburetor air temperature at or slightly above the top of the yellow arc by application of carburetor heat.

**HOT WEATHER OPERATION**

The general warm temperature starting information in this section is



appropriate. Avoid prolonged engine operation on the ground.

## NOISE CHARACTERISTICS

Increased emphasis on improving the quality of our environment requires renewed effort on the part of all pilots to minimize the effect of airplane noise on the public.

We, as pilots, can demonstrate our concern for environmental improvement, by application of the following suggested procedures, and thereby tend to build public support for aviation:

1. Pilots operating aircraft under VFR over outdoor assemblies of persons, recreational and park areas, and other noise-sensitive areas should make every effort to fly not less than 2000 feet above the surface, weather permitting, even though flight at a lower level may be consistent with the provisions of government regulations.
2. During departure from or approach to an airport, climb after takeoff and descent for landing should be made so as to avoid prolonged flight at low altitude near noise-sensitive areas.

### NOTE

The above recommended procedures do not apply where they would conflict with Air Traffic Control clearances or instructions, or where, in the pilot's judgment, an altitude of less than 2000 feet is necessary for him to adequately exercise his duty to see and avoid other aircraft.

The certificated noise level for the Model 172RG at 2650 pounds maximum weight is 73.9 dB(A). No determination has been made by the Federal Aviation Administration that the noise levels of this airplane are or should be acceptable or unacceptable for operation at, into, or out of, any airport.

# SECTION 5 PERFORMANCE

## TABLE OF CONTENTS

|   | Page |
|---|------|
| Introduction . . . . .  | 5-3  |
| Use of Performance Charts . . . . .                               | 5-3  |
| Sample Problem . . . . .  | 5-3  |
| Takeoff . . . . .   | 5-4  |
| Cruise . . . . .  | 5-5  |
| Fuel Required . . . . .   | 5-5  |
| Landing . . . . .   | 5-7  |
| Demonstrated Operating Temperature . . . . .                      | 5-7  |
| Figure 5-1, Airspeed Calibration - Normal Static Source . . . . . | 5-8  |
| Airspeed Calibration - Alternate Static Source . . . . .          | 5-9  |
| Figure 5-2, Temperature Conversion Chart . . . . .                | 5-10 |
| Figure 5-3, Stall Speeds . . . . .                                | 5-11 |
| Figure 5-4, Takeoff Distance - 2650 Lbs . . . . .                 | 5-12 |
| Takeoff Distance - 2500 Lbs And 2300 Lbs . . . . .                | 5-13 |
| Figure 5-5, Maximum Rate Of Climb . . . . .                       | 5-14 |
| Figure 5-6, Time, Fuel, And Distance To Climb -                   |      |
| Maximum Rate Of Climb . . . . .                                   | 5-15 |
| Time, Fuel, And Distance To Climb -                               |      |
| Normal Climb . . . . .  | 5-16 |
| Figure 5-7, Cruise Performance - 2000 Feet . . . . .              | 5-17 |
| Cruise Performance - 4000 Feet . . . . .                          | 5-18 |
| Cruise Performance - 6000 Feet . . . . .                          | 5-19 |
| Cruise Performance - 8000 Feet . . . . .                          | 5-20 |
| Cruise Performance - 10,000 Feet . . . . .                        | 5-21 |
| Cruise Performance - 12,000 Feet . . . . .                        | 5-22 |
| Figure 5-8, Range Profile - 44 Gallons Fuel . . . . .             | 5-23 |
| Range Profile - 62 Gallons Fuel . . . . .                         | 5-24 |
| Figure 5-9, Endurance Profile - 44 Gallons Fuel . . . . .         | 5-25 |
| Endurance Profile - 62 Gallons Fuel . . . . .                     | 5-26 |
| Figure 5-10, Landing Distance . . . . .                           | 5-27 |

## INTRODUCTION

Performance data charts on the following pages are presented so that you may know what to expect from the airplane under various conditions, and also, to facilitate the planning of flights in detail and with reasonable accuracy. The data in the charts has been computed from actual flight tests with the airplane and engine in good condition and using average piloting techniques.

It should be noted that the performance information presented in the range and endurance profile charts allows for 45 minutes reserve fuel at the specified cruise power. Fuel flow data for cruise is based on the recommended lean mixture setting. Some indeterminate variables such as mixture leaning technique, fuel metering characteristics, engine and propeller condition, and air turbulence may account for variations of 10% or more in range and endurance. Therefore, it is important to utilize all available information to estimate the fuel required for the particular flight.

## USE OF PERFORMANCE CHARTS

Performance data is presented in tabular or graphical form to illustrate the effect of different variables. Sufficiently detailed information is provided in the tables so that conservative values can be selected and used to determine the particular performance figure with reasonable accuracy.

## SAMPLE PROBLEM

The following sample flight problem utilizes information from the various charts to determine the predicted performance data for a typical flight. The following information is known:

### AIRPLANE CONFIGURATION

|                |             |
|----------------|-------------|
| Takeoff weight | 2600 Pounds |
| Usable fuel    | 44 Gallons  |

### TAIKEOFF CONDITIONS

|                             |                            |
|-----------------------------|----------------------------|
| Field pressure altitude     | 1500 Feet                  |
| Temperature                 | 28°C (16°C above standard) |
| Wind component along runway | 12 Knot Headwind           |
| Field length                | 3500 Feet                  |

## CRUISE CONDITIONS

|                       |                            |
|-----------------------|----------------------------|
| Total distance        | 425 Nautical Miles         |
| Pressure altitude     | 7500 Feet                  |
| Temperature           | 16°C (16°C above standard) |
| Expected wind enroute | 10 Knot Headwind           |

## LANDING CONDITIONS

|                         |           |
|-------------------------|-----------|
| Field pressure altitude | 2000 Feet |
| Temperature             | 25°C      |
| Field length            | 3000 Feet |

## TAKEOFF

The takeoff distance chart, figure 5-4, should be consulted, keeping in mind that the distances shown are based on the short field technique. Conservative distances can be established by reading the chart at the next higher value of weight, altitude and temperature. For example, in this particular sample problem, the takeoff distance information presented for a weight of 2650 pounds, pressure altitude of 2000 feet and a temperature of 30°C should be used and results in the following:

|  |           |
|--|-----------|
| Ground roll                                | 1410 Feet |
| Total distance to clear a 50-foot obstacle | 2380 Feet |

These distances are well within the available takeoff field length. However, a correction for the effect of wind may be made based on Note 3 of the takeoff chart. The correction for a 12 knot headwind is:

$$\frac{12 \text{ Knots}}{9 \text{ Knots}} \times 10\% = 13\% \text{ Decrease}$$

This results in the following distances, corrected for wind:

|  |            |
|--|------------|
| Ground roll, zero wind                                   | 1410       |
| Decrease in ground roll<br>(1410 feet × 13%)             | <u>183</u> |
| Corrected ground roll                                    | 1227 Feet  |
| Total distance to clear a<br>50-foot obstacle, zero wind | 2380       |
| Decrease in total distance<br>(2380 feet × 13%)          | <u>309</u> |
| Corrected total distance<br>to clear 50-foot obstacle    | 2071 Feet  |

## CRUISE

The cruising altitude should be selected based on a consideration of trip length, winds aloft, and the airplane's performance. A cruising altitude and the expected wind enroute have been given for this sample problem. However, the power setting selection for cruise must be determined based on several considerations. These include the cruise performance characteristics presented in figure 5-7, the range profile chart presented in figure 5-8, and the endurance profile chart presented in figure 5-9.

The relationship between power and range is illustrated by the range profile chart. Considerable fuel savings and longer range result when lower power settings are used. For this sample problem, a cruise power of approximately 65% will be used.

The cruise performance chart for 8000 feet pressure altitude is entered using 20°C above standard temperature. These values most nearly correspond to the planned altitude and expected temperature conditions. The power setting chosen is 2300 RPM and 22 inches of manifold pressure, which results in the following:

|                  |           |
|------------------|-----------|
| Power            | 65%       |
| True airspeed    | 132 Knots |
| Cruise fuel flow | 8.8 GPH   |

The power computer may be used to determine power and fuel consumption more accurately during the flight.

## FUEL REQUIRED

The total fuel requirement for the flight may be estimated using the performance information in figures 5-6 and 5-7. For this sample problem, figure 5-6 shows that a normal climb from 2000 feet to 8000 feet requires 2.4 gallons of fuel. The corresponding distance during the climb is 20 nautical miles. These values are for a standard temperature and are sufficiently accurate for most flight planning purposes. However, a further correction for the effect of temperature may be made as noted on the climb chart. The approximate effect of a non-standard temperature is to increase the time, fuel, and distance by 10% for each 10°C above standard temperature, due to the lower rate of climb. In this case, assuming a temperature 16°C above standard, the correction would be:

$$\frac{16^\circ\text{C}}{10^\circ\text{C}} \times 10\% = 16\% \text{ Increase}$$

With this factor included, the fuel estimate would be calculated as follows:

|   |             |
|---|-------------|
| Fuel to climb, standard temperature                     | 2.4         |
| Increase due to non-standard temperature<br>(2.4 × 16%) | <u>0.4</u>  |
| Corrected fuel to climb                                 | 2.8 Gallons |

Using a similar procedure for the distance during climb results in 23 nautical miles.

The resultant cruise distance is:

|                 |                    |
|-----------------|--------------------|
| Total distance  | 425                |
| Climb distance  | <u>-23</u>         |
| Cruise distance | 402 Nautical Miles |

With an expected 10 knot headwind, the ground speed for cruise is predicted to be:

|            |
|------------|
| 132        |
| <u>-10</u> |
| 122 Knots  |

Therefore, the time required for the cruise portion of the trip is:

$$\frac{402 \text{ Nautical Miles}}{122 \text{ Knots}} = 3.3 \text{ Hours}$$

The fuel required for cruise is:

$$3.3 \text{ hours} \times 8.8 \text{ gallons/hour} = 29.0 \text{ Gallons}$$

A 45-minute reserve requires:

$$\frac{45}{60} \times 8.8 \text{ gallons/hour} = 6.6 \text{ Gallons}$$

The total estimated fuel required is as follows:

|                                 |              |
|---------------------------------|--------------|
| Engine start, taxi, and takeoff | 1.4          |
| Climb                           | 2.8          |
| Cruise                          | 29.0         |
| Reserve                         | <u>6.6</u>   |
| Total fuel required             | 39.8 Gallons |

Once the flight is underway, ground speed checks will provide a more accurate basis for estimating the time enroute and the corresponding fuel required to complete the trip with ample reserve.

## LANDING

A procedure similar to takeoff should be used for estimating the landing distance at the destination airport. Figure 5-10 presents landing distance information for the short field technique. The distances corresponding to 2000 feet pressure altitude and a temperature of 30°C are as follows:

|  |           |
|--|-----------|
| Ground roll                                | 705 Feet  |
| Total distance to clear a 50-foot obstacle | 1465 Feet |

A correction for the effect of wind may be made based on Note 2 of the landing chart using the same procedure as outlined for takeoff.

## DEMONSTRATED OPERATING TEMPERATURE

Satisfactory engine cooling has been demonstrated for this airplane with an outside air temperature 23°C above standard. This is not to be considered as an operating limitation. Reference should be made to Section 2 for engine operating limitations.

## AIRSPEED CALIBRATION

### NORMAL STATIC SOURCE

CONDITIONS:

Power required for level flight or maximum power during descent.

|           |    |    |    |    |    |     |     |     |     |     |     |     |     |     |     |
|-----------|----|----|----|----|----|-----|-----|-----|-----|-----|-----|-----|-----|-----|-----|
| FLAPS UP  |    |    |    |    |    |     |     |     |     |     |     |     |     |     |     |
| KIAS      | 50 | 60 | 70 | 80 | 90 | 100 | 110 | 120 | 130 | 140 | 150 | 160 |     |     |     |
| KCAS      | 55 | 63 | 71 | 80 | 89 | 99  | 108 | 118 | 128 | 138 | 147 | 157 |     |     |     |
| FLAPS 10° |    |    |    |    |    |     |     |     |     |     |     |     |     |     |     |
| KIAS      | 40 | 50 | 60 | 70 | 80 | 90  | 100 | 110 | 120 | 130 | --- | --- | --- | --- | --- |
| KCAS      | 50 | 54 | 62 | 71 | 81 | 91  | 100 | 110 | 120 | 130 | --- | --- | --- | --- | --- |
| FLAPS 30° |    |    |    |    |    |     |     |     |     |     |     |     |     |     |     |
| KIAS      | 40 | 50 | 60 | 70 | 80 | 90  | 100 | --- | --- | --- | --- | --- | --- | --- | --- |
| KCAS      | 47 | 54 | 62 | 71 | 81 | 90  | 101 | --- | --- | --- | --- | --- | --- | --- | --- |

Figure 5-1. Airspeed Calibration (Sheet 1 of 2)

## AIRSPEED CALIBRATION

### ALTERNATE STATIC SOURCE

#### HEATER AND DEFROSTER FULL ON AND WINDOWS CLOSED

|                |    |    |    |    |    |     |     |     |     |     |     |     |     |     |     |
|----------------|----|----|----|----|----|-----|-----|-----|-----|-----|-----|-----|-----|-----|-----|
| FLAPS UP       |    |    |    |    |    |     |     |     |     |     |     |     |     |     |     |
| NORMAL KIAS    | 50 | 60 | 70 | 80 | 90 | 100 | 110 | 120 | 140 | 160 |     |     |     |     |     |
| ALTERNATE KIAS | 46 | 58 | 69 | 79 | 88 | 98  | 108 | 117 | 136 | 155 |     |     |     |     |     |
| FLAPS 10°      |    |    |    |    |    |     |     |     |     |     |     |     |     |     |     |
| NORMAL KIAS    | 50 | 60 | 70 | 80 | 90 | 100 | 110 | 120 | 130 | --- | --- | --- | --- | --- | --- |
| ALTERNATE KIAS | 45 | 58 | 69 | 80 | 90 | 100 | 109 | 119 | 128 | -   |     |     |     |     |     |
| FLAPS 30°      |    |    |    |    |    |     |     |     |     |     |     |     |     |     |     |
| NORMAL KIAS    | 50 | 60 | 70 | 80 | 90 | 100 | --- | --- | --- | --- | --- | --- | --- | --- | --- |
| ALTERNATE KIAS | 46 | 58 | 68 | 78 | 87 | 96  | --- | --- | --- | --- | --- | --- | --- | --- | --- |

Figure 5-1. Airspeed Calibration (Sheet 2 of 2)

## TEMPERATURE CONVERSION CHART

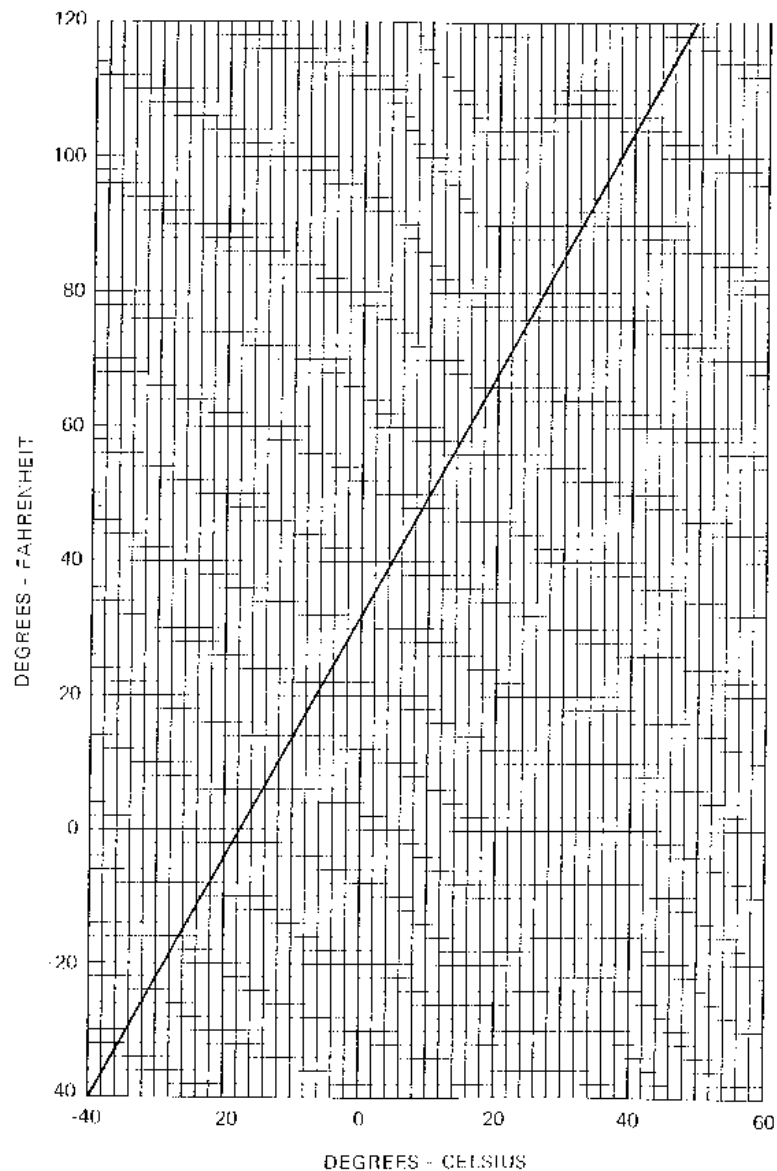


Figure 5-2. Temperature Conversion Chart

## STALL SPEEDS

CONDITIONS:  
Power Off  
Gear Up or Down

NOTES:

1. Maximum altitude loss during a stall recovery may be as much as 230 feet.
2. KIAS values are approximate

### MOST REARWARD CENTER OF GRAVITY

| WEIGHT<br>LBS | FLAP<br>DEFLECTION | ANGLE OF BANK |      |      |      |      |      |      |      |
|---------------|--------------------|---------------|------|------|------|------|------|------|------|
|               |                    | 0°            |      | 30°  |      | 45°  |      | 60°  |      |
|               |                    | KIAS          | KCAS | KIAS | KCAS | KIAS | KCAS | KIAS | KCAS |
| 2650          | UP                 | 46            | 54   | 49   | 58   | 55   | 64   | 65   | 76   |
|               | 10°                | 42            | 52   | 45   | 56   | 50   | 62   | 59   | 74   |
|               | 30°                | 39            | 50   | 42   | 54   | 47   | 59   | 56   | 71   |

### MOST FORWARD CENTER OF GRAVITY

| WEIGHT<br>LBS | FLAP<br>DEFLECTION | ANGLE OF BANK |      |      |      |      |      |      |      |
|---------------|--------------------|---------------|------|------|------|------|------|------|------|
|               |                    | 0°            |      | 30°  |      | 45°  |      | 60°  |      |
|               |                    | KIAS          | KCAS | KIAS | KCAS | KIAS | KCAS | KIAS | KCAS |
| 2650          | UP                 | 50            | 57   | 54   | 61   | 59   | 68   | 71   | 81   |
|               | 10°                | 46            | 54   | 49   | 58   | 55   | 64   | 65   | 76   |
|               | 30°                | 42            | 51   | 45   | 55   | 50   | 61   | 59   | 72   |

Figure 5-3. Stall Speeds

# TAKEOFF DISTANCE

## MAXIMUM WEIGHT 2650 LBS

### SHORT FIELD

CONDITIONS:  
Flaps Up  
2700 RPM and Full Throttle Prior to Brake Release  
Cowl Flaps Open  
Paved, Level Dry Runway  
Zero Wind

**NOTES:**

- Short field technique as specified in Section 4.
- Prior to takeoff from fields above 3000 feet elevation, the mixture should be leaned to give maximum power in a full throttle, static runup.
- Decrease distances 10% for each 9 knots headwind. For operation with tailwinds up to 10 knots, increase distances by 10% for each 2 knots.
- For operation on a dry, grass runway, increase distances by 15% of the "ground roll" figure.

| WEIGHT<br>LBS | TAKEOFF<br>SPEED<br>KIAS |             | PRESS<br>ALT<br>FT | 0°C          |              |                   | 10°C         |              |                   | 20°C         |              |                   | 30°C         |              |                   | 40°C         |              |                   |      |      |      |
|---------------|--------------------------|-------------|--------------------|--------------|--------------|-------------------|--------------|--------------|-------------------|--------------|--------------|-------------------|--------------|--------------|-------------------|--------------|--------------|-------------------|------|------|------|
|               | LIFT<br>OFF              | AT<br>50 FT |                    | GRND<br>ROLL | 50 FT<br>OBS | TOTAL<br>TO CLEAR | GRND<br>ROLL | 50 FT<br>OBS | TOTAL<br>TO CLEAR | GRND<br>ROLL | 50 FT<br>OBS | TOTAL<br>TO CLEAR | GRND<br>ROLL | 50 FT<br>OBS | TOTAL<br>TO CLEAR | GRND<br>ROLL | 50 FT<br>OBS | TOTAL<br>TO CLEAR |      |      |      |
| 2650          | 58                       | 63          | S.L.               | 955          | 1605         | 1025              | 1715         | 1100         | 1835              | 1175         | 1965         | 1260              | 2100         | 1175         | 1965              | 1260         | 2100         | 1175              | 1965 | 1260 | 2100 |
|               |                          |             | 1000               | 1040         | 1755         | 1120              | 1880         | 1200         | 2015              | 1285         | 2155         | 1375              | 2310         | 1285         | 2155              | 1375         | 2310         | 1285              | 2155 | 1375 | 2310 |
|               |                          |             | 2000               | 1140         | 1925         | 1225              | 2065         | 1315         | 2215              | 1410         | 2380         | 1510              | 2550         | 1410         | 2380              | 1510         | 2550         | 1410              | 2380 | 1510 | 2550 |
|               |                          |             | 3000               | 1250         | 2120         | 1340              | 2280         | 1440         | 2450              | 1545         | 2630         | 1655              | 2830         | 1545         | 2630              | 1655         | 2830         | 1545              | 2630 | 1655 | 2830 |
|               |                          |             | 4000               | 1370         | 2345         | 1475              | 2525         | 1585         | 2715              | 1700         | 2930         | 1820              | 3160         | 1700         | 2930              | 1820         | 3160         | 1700              | 2930 | 1820 | 3160 |
|               |                          |             | 5000               | 1505         | 2600         | 1620              | 2805         | 1740         | 3030              | 1870         | 3280         | 2005              | 3550         | 1870         | 3280              | 2005         | 3550         | 1870              | 3280 | 2005 | 3550 |
|               |                          |             | 6000               | 1660         | 2905         | 1785              | 3145         | 1920         | 3405              | 2065         | 3700         | 2215              | 4025         | 2065         | 3700              | 2215         | 4025         | 2065              | 3700 | 2215 | 4025 |
| 7000          | 1830                     | 3265        | 1970               | 3545         | 2120         | 3865              | 2280         | 4220         | 2450              | 4630         | 2280         | 4220              | 2450         | 4630         | 2280              | 4220         | 2450         | 4630              |      |      |      |
| 8000          | 2025                     | 3700        | 2180               | 4045         | 2350         | 4440              | 2530         | 4895         | 2720              | 5430         | 2530         | 4895              | 2720         | 5430         | 2530              | 4895         | 2720         | 5430              |      |      |      |

Figure 5-4. Takeoff Distance (Sheet 1 of 2)

# TAKEOFF DISTANCE

## 2500 LBS AND 2300 LBS

### SHORT FIELD

REFER TO SHEET 1 FOR APPROPRIATE CONDITIONS AND NOTES.

| WEIGHT<br>LBS | TAKEOFF<br>SPEED<br>KIAS |             | PRESS<br>ALT<br>FT | 0°C          |              |                   | 10°C         |              |                   | 20°C         |              |                   | 30°C         |              |                   | 40°C         |              |                   |      |      |      |
|---------------|--------------------------|-------------|--------------------|--------------|--------------|-------------------|--------------|--------------|-------------------|--------------|--------------|-------------------|--------------|--------------|-------------------|--------------|--------------|-------------------|------|------|------|
|               | LIFT<br>OFF              | AT<br>50 FT |                    | GRND<br>ROLL | 50 FT<br>OBS | TOTAL<br>TO CLEAR | GRND<br>ROLL | 50 FT<br>OBS | TOTAL<br>TO CLEAR | GRND<br>ROLL | 50 FT<br>OBS | TOTAL<br>TO CLEAR | GRND<br>ROLL | 50 FT<br>OBS | TOTAL<br>TO CLEAR | GRND<br>ROLL | 50 FT<br>OBS | TOTAL<br>TO CLEAR |      |      |      |
| 2500          | 56                       | 61          | S.L.               | 835          | 1400         | 895               | 1495         | 960          | 1595              | 1025         | 1705         | 1100              | 1820         | 1025         | 1705              | 1100         | 1820         | 1025              | 1705 | 1100 | 1820 |
|               |                          |             | 1000               | 910          | 1525         | 1635              | 1045         | 1745         | 1120              | 1865         | 1200         | 1995              | 1200         | 1995         | 1200              | 1995         | 1200         | 1995              | 1200 | 1995 |      |
|               |                          |             | 2000               | 995          | 1670         | 1790              | 1145         | 1915         | 1225              | 2050         | 1315         | 2195              | 1315         | 2195         | 1315              | 2195         | 1315         | 2195              | 1315 | 2195 |      |
|               |                          |             | 3000               | 1090         | 1835         | 1965              | 1255         | 2105         | 1345              | 2260         | 1440         | 2420              | 1440         | 2420         | 1440              | 2420         | 1440         | 2420              | 1440 | 2420 |      |
|               |                          |             | 4000               | 1195         | 2015         | 2165              | 1375         | 2325         | 1475              | 2500         | 1580         | 2685              | 1580         | 2685         | 1580              | 2685         | 1580         | 2685              | 1580 | 2685 |      |
|               |                          |             | 5000               | 1310         | 2230         | 1410              | 2400         | 1515         | 2580              | 1625         | 2780         | 1740              | 2990         | 1740         | 2990              | 1740         | 2990         | 1740              | 2990 | 1740 | 2990 |
|               |                          |             | 6000               | 1440         | 2470         | 1550              | 2665         | 1665         | 2875              | 1790         | 3105         | 1920              | 3365         | 1920         | 3365              | 1920         | 3365         | 1920              | 3365 | 1920 | 3365 |
| 7000          | 1585                     | 2760        | 1710               | 2980         | 1840         | 3230              | 1975         | 3500         | 2120              | 3800         | 2120         | 3800              | 2120         | 3800         | 2120              | 3800         | 2120         | 3800              |      |      |      |
| 8000          | 1755                     | 3095        | 1890               | 3360         | 2035         | 3655              | 2185         | 3980         | 2350              | 4350         | 2350         | 4350              | 2350         | 4350         | 2350              | 4350         | 2350         | 4350              |      |      |      |
| 2300          | 54                       | 59          | S.L.               | 690          | 1160         | 740               | 1240         | 790          | 1320              | 845          | 1405         | 905               | 1500         | 845          | 1405              | 905          | 1500         | 845               | 1405 | 905  | 1500 |
|               |                          |             | 1000               | 750          | 1265         | 805               | 1350         | 860          | 1440              | 920          | 1535         | 985               | 1635         | 985          | 1635              | 985          | 1635         | 985               | 1635 |      |      |
|               |                          |             | 2000               | 820          | 1380         | 880               | 1475         | 940          | 1575              | 1010         | 1680         | 1080              | 1795         | 1080         | 1795              | 1080         | 1795         | 1080              | 1795 |      |      |
|               |                          |             | 3000               | 895          | 1505         | 960               | 1610         | 1030         | 1725              | 1105         | 1845         | 1180              | 1970         | 1180         | 1970              | 1180         | 1970         | 1180              | 1970 |      |      |
|               |                          |             | 4000               | 980          | 1650         | 1050              | 1770         | 1130         | 1895              | 1210         | 2025         | 1295              | 2170         | 1295         | 2170              | 1295         | 2170         | 1295              | 2170 |      |      |
|               |                          |             | 5000               | 1075         | 1815         | 1155              | 1950         | 1240         | 2090              | 1325         | 2240         | 1420              | 2400         | 1420         | 2400              | 1420         | 2400         | 1420              | 2400 |      |      |
|               |                          |             | 6000               | 1180         | 2005         | 1265              | 2150         | 1360         | 2310              | 1460         | 2485         | 1565              | 2670         | 1565         | 2670              | 1565         | 2670         | 1565              | 2670 |      |      |
| 7000          | 1295                     | 2220        | 1395               | 2385         | 1500         | 2570              | 1610         | 2765         | 1725              | 2980         | 1725         | 2980              | 1725         | 2980         | 1725              | 2980         |              |                   |      |      |      |
| 8000          | 1430                     | 2465        | 1540               | 2660         | 1655         | 2875              | 1775         | 3105         | 1905              | 3355         | 1905         | 3355              | 1905         | 3355         | 1905              | 3355         |              |                   |      |      |      |

Figure 5-4. Takeoff Distance (Sheet 2 of 2)

### MAXIMUM RATE OF CLIMB

CONDITIONS:  
Flaps Up  
Gear Up  
2700 RPM  
Full Throttle  
Mixture Leaned above 3000 Feet  
Cowl Flaps Open

| WEIGHT<br>LBS | PRESS<br>ALT<br>FT | CLIMB<br>SPEED<br>KIAS | RATE OF CLIMB - FPM |     |      |      |
|---------------|--------------------|------------------------|---------------------|-----|------|------|
|               |                    |                        | -20°C               | 0°C | 20°C | 40°C |
| 2650          | S.L.               | 84                     | 925                 | 855 | 780  | 710  |
|               | 2000               | 83                     | 825                 | 755 | 685  | 620  |
|               | 4000               | 81                     | 720                 | 655 | 590  | 525  |
|               | 6000               | 80                     | 620                 | 560 | 495  | 435  |
|               | 8000               | 78                     | 525                 | 465 | 405  | 340  |
|               | 10,000             | 77                     | 430                 | 370 | 310  | ---  |
|               | 12,000             | 75                     | 330                 | 275 | 220  | ---  |

Figure 5-5. Maximum Rate of Climb

### TIME, FUEL, AND DISTANCE TO CLIMB

#### MAXIMUM RATE OF CLIMB

CONDITIONS:  
Flaps Up  
Gear Up  
2700 RPM  
Full Throttle  
Mixture Leaned above 3000 Feet  
Cowl Flaps Open  
Standard Temperature

NOTES:

1. Add 1.4 gallons of fuel for engine start, taxi, and takeoff allowance.
2. Increase time, fuel and distance by 10% for each 10°C above standard temperature.
3. Distances shown are based on zero wind.

| WEIGHT<br>LBS | PRESSURE<br>ALTITUDE<br>FT | TEMP<br>°C | CLIMB<br>SPEED<br>KIAS | RATE OF<br>CLIMB<br>FPM | FROM SEA LEVEL |                      |                |
|---------------|----------------------------|------------|------------------------|-------------------------|----------------|----------------------|----------------|
|               |                            |            |                        |                         | TIME<br>MIN    | FUEL USED<br>GALLONS | DISTANCE<br>NM |
| 2650          | S.L.                       | 15         | 84                     | 800                     | 0              | 0.0                  | 0              |
|               | 1000                       | 13         | 83                     | 760                     | 1              | 0.4                  | 2              |
|               | 2000                       | 11         | 83                     | 715                     | 3              | 0.8                  | 4              |
|               | 3000                       | 9          | 82                     | 675                     | 4              | 1.1                  | 6              |
|               | 4000                       | 7          | 81                     | 635                     | 6              | 1.6                  | 8              |
|               | 5000                       | 5          | 81                     | 590                     | 7              | 2.0                  | 10             |
|               | 6000                       | 3          | 80                     | 550                     | 9              | 2.4                  | 13             |
|               | 7000                       | 1          | 79                     | 510                     | 11             | 2.9                  | 16             |
|               | 8000                       | -1         | 78                     | 465                     | 13             | 3.3                  | 19             |
|               | 9000                       | -3         | 78                     | 425                     | 15             | 3.8                  | 22             |
|               | 10,000                     | -5         | 77                     | 385                     | 18             | 4.3                  | 26             |
|               | 11,000                     | -7         | 76                     | 340                     | 21             | 4.9                  | 30             |
| 12,000        | -9                         | 75         | 300                    | 24                      | 5.5            | 35                   |                |

Figure 5-6. Time, Fuel, and Distance to Climb (Sheet 1 of 2)



### TIME, FUEL, AND DISTANCE TO CLIMB

#### NORMAL CLIMB - 90 KIAS

**CONDITIONS:**

Flaps Up  
Gear Up  
2500 RPM  
25 Inches Hg or Full Throttle  
Mixture Leaned above 3000 Feet  
Cowl Flaps Open  
Standard Temperature

**NOTES:**

1. Add 1.4 gallons of fuel for engine start, taxi, and takeoff allowance.
2. Increase time, fuel and distance by 10% for each 10°C above standard temperature.
3. Distances shown are based on zero wind.

| WEIGHT<br>LBS | PRESSURE<br>ALTITUDE<br>FT | TEMP<br>°C | RATE OF<br>CLIMB<br>FPM | FROM SEA LEVEL |                      |                |
|---------------|----------------------------|------------|-------------------------|----------------|----------------------|----------------|
|               |                            |            |                         | TIME<br>MIN    | FUEL USED<br>GALLONS | DISTANCE<br>NM |
| 2650          | S.L.                       | 15         | 530                     | 0              | 0.0                  | 0              |
|               | 1000                       | 13         | 530                     | 2              | 0.4                  | 3              |
|               | 2000                       | 11         | 530                     | 4              | 0.7                  | 6              |
|               | 3000                       | 9          | 530                     | 6              | 1.1                  | 9              |
|               | 4000                       | 7          | 530                     | 8              | 1.4                  | 12             |
|               | 5000                       | 5          | 520                     | 9              | 1.8                  | 15             |
|               | 6000                       | 3          | 475                     | 11             | 2.2                  | 18             |
|               | 7000                       | 1          | 430                     | 14             | 2.6                  | 22             |
|               | 8000                       | -1         | 385                     | 16             | 3.1                  | 26             |

Figure 5-6. Time, Fuel, and Distance to Climb (Sheet 2 of 2)

### CRUISE PERFORMANCE PRESSURE ALTITUDE 2000 FEET

**CONDITIONS:**

2650 Pounds  
Recommended Lean Mixture  
Cowl Flaps Closed

**NOTE**

For best fuel economy, operate at the leanest mixture that results in smooth engine operation or at peak EGT if an EGT indicator is installed.

| RPM  | MP | 20°C BELOW<br>STANDARD TEMP<br>-9°C |      |      | STANDARD<br>TEMPERATURE<br>11°C |      |      | 20°C ABOVE<br>STANDARD TEMP<br>31°C |      |     |
|------|----|-------------------------------------|------|------|---------------------------------|------|------|-------------------------------------|------|-----|
|      |    | %<br>BHP                            | KTAS | GPH  | %<br>BHP                        | KTAS | GPH  | %<br>BHP                            | KTAS | GPH |
| 2500 | 24 | 77                                  | 130  | 10.3 | 74                              | 131  | 9.9  | 72                                  | 132  | 9.6 |
|      | 23 | 72                                  | 127  | 9.7  | 70                              | 128  | 9.4  | 68                                  | 128  | 9.1 |
|      | 22 | 68                                  | 123  | 9.1  | 66                              | 124  | 8.8  | 63                                  | 124  | 8.6 |
|      | 21 | 63                                  | 120  | 8.6  | 61                              | 120  | 8.3  | 59                                  | 120  | 8.1 |
| 2400 | 25 | ---                                 | ---  | ---  | 76                              | 132  | 10.1 | 73                                  | 133  | 9.8 |
|      | 24 | 74                                  | 128  | 9.9  | 72                              | 129  | 9.6  | 69                                  | 130  | 9.3 |
|      | 23 | 70                                  | 125  | 9.3  | 67                              | 126  | 9.0  | 66                                  | 126  | 8.8 |
|      | 22 | 65                                  | 121  | 8.8  | 63                              | 122  | 8.5  | 61                                  | 122  | 8.3 |
| 2300 | 25 | 76                                  | 129  | 10.1 | 73                              | 130  | 9.7  | 71                                  | 131  | 9.4 |
|      | 24 | 71                                  | 126  | 9.5  | 69                              | 127  | 9.2  | 67                                  | 127  | 8.9 |
|      | 23 | 67                                  | 123  | 9.0  | 65                              | 123  | 8.7  | 63                                  | 123  | 8.5 |
|      | 22 | 63                                  | 119  | 8.5  | 61                              | 119  | 8.2  | 59                                  | 119  | 8.0 |
| 2200 | 24 | 69                                  | 124  | 9.2  | 66                              | 124  | 8.9  | 64                                  | 125  | 8.6 |
|      | 23 | 64                                  | 121  | 8.7  | 62                              | 121  | 8.4  | 60                                  | 120  | 8.2 |
|      | 22 | 60                                  | 117  | 8.2  | 58                              | 116  | 7.9  | 56                                  | 116  | 7.7 |
|      | 21 | 56                                  | 112  | 7.7  | 54                              | 112  | 7.5  | 52                                  | 111  | 7.3 |
| 2100 | 23 | 62                                  | 118  | 8.3  | 59                              | 118  | 8.1  | 57                                  | 118  | 7.9 |
|      | 22 | 57                                  | 114  | 7.9  | 55                              | 114  | 7.6  | 54                                  | 113  | 7.4 |
|      | 21 | 53                                  | 109  | 7.4  | 52                              | 109  | 7.2  | 50                                  | 108  | 7.0 |
|      | 20 | 49                                  | 105  | 6.9  | 48                              | 103  | 6.7  | 46                                  | 101  | 6.6 |

Figure 5-7. Cruise Performance (Sheet 1 of 6)

**CRUISE PERFORMANCE**  
**PRESSURE ALTITUDE 4000 FEET**

CONDITIONS:  
2650 Pounds  
Recommended Lean Mixture  
Cowl Flaps Closed

**NOTE**  
For best fuel economy, operate at the leanest mixture that results in smooth engine operation or at peak EGT if an EGT indicator is installed.

|      |    | 20°C BELOW<br>STANDARD TEMP<br>-13°C |      |      | STANDARD<br>TEMPERATURE<br>7°C |      |      | 20°C ABOVE<br>STANDARD TEMP<br>27°C |      |     |
|------|----|--------------------------------------|------|------|--------------------------------|------|------|-------------------------------------|------|-----|
| RPM  | MP | %<br>BHP                             | KTAS | GPH  | %<br>BHP                       | KTAS | GPH  | %<br>BHP                            | KTAS | GPH |
| 2500 | 24 | ---                                  | ---  | ---  | 77                             | 135  | 10.2 | 74                                  | 136  | 9.9 |
|      | 23 | 75                                   | 131  | 10.0 | 72                             | 132  | 9.7  | 70                                  | 132  | 9.4 |
|      | 22 | 70                                   | 127  | 9.4  | 68                             | 128  | 9.1  | 66                                  | 128  | 8.8 |
|      | 21 | 66                                   | 124  | 8.8  | 63                             | 124  | 8.6  | 61                                  | 124  | 8.3 |
| 2400 | 24 | 77                                   | 132  | 10.2 | 74                             | 133  | 9.9  | 72                                  | 134  | 9.6 |
|      | 23 | 72                                   | 129  | 9.7  | 70                             | 130  | 9.3  | 67                                  | 130  | 9.0 |
|      | 22 | 68                                   | 126  | 9.1  | 65                             | 126  | 8.8  | 63                                  | 126  | 8.5 |
|      | 21 | 63                                   | 122  | 8.6  | 61                             | 121  | 8.3  | 59                                  | 121  | 8.1 |
| 2300 | 25 | ---                                  | ---  | ---  | 76                             | 134  | 10.1 | 73                                  | 135  | 9.7 |
|      | 24 | 74                                   | 130  | 9.9  | 71                             | 131  | 9.5  | 69                                  | 131  | 9.2 |
|      | 23 | 70                                   | 127  | 9.3  | 67                             | 127  | 9.0  | 65                                  | 127  | 8.7 |
|      | 22 | 65                                   | 123  | 8.8  | 63                             | 123  | 8.5  | 61                                  | 123  | 8.3 |
| 2200 | 24 | 71                                   | 128  | 9.5  | 69                             | 129  | 9.2  | 66                                  | 129  | 8.9 |
|      | 23 | 67                                   | 125  | 9.0  | 65                             | 125  | 8.7  | 62                                  | 125  | 8.4 |
|      | 22 | 63                                   | 121  | 8.5  | 60                             | 121  | 8.2  | 58                                  | 120  | 8.0 |
|      | 21 | 58                                   | 116  | 8.0  | 56                             | 116  | 7.7  | 54                                  | 115  | 7.5 |
| 2100 | 23 | 64                                   | 122  | 8.6  | 62                             | 122  | 8.4  | 60                                  | 122  | 8.1 |
|      | 22 | 60                                   | 118  | 8.2  | 58                             | 118  | 7.9  | 56                                  | 117  | 7.7 |
|      | 21 | 56                                   | 114  | 7.7  | 54                             | 113  | 7.4  | 52                                  | 112  | 7.2 |
|      | 20 | 52                                   | 109  | 7.2  | 50                             | 108  | 7.0  | 48                                  | 106  | 6.8 |
|      | 19 | 48                                   | 103  | 6.7  | 46                             | 101  | 6.6  | 44                                  | 98   | 6.4 |

Figure 5-7. Cruise Performance (Sheet 2 of 6)

**CRUISE PERFORMANCE**  
**PRESSURE ALTITUDE 6000 FEET**

CONDITIONS:  
2650 Pounds  
Recommended Lean Mixture  
Cowl Flaps Closed

**NOTE**  
For best fuel economy, operate at the leanest mixture that results in smooth engine operation or at peak EGT if an EGT indicator is installed.

|      |      | 20°C BELOW<br>STANDARD TEMP<br>-17°C |      |      | STANDARD<br>TEMPERATURE<br>3°C |      |      | 20°C ABOVE<br>STANDARD TEMP<br>23°C |      |     |     |
|------|------|--------------------------------------|------|------|--------------------------------|------|------|-------------------------------------|------|-----|-----|
| RPM  | MP   | %<br>BHP                             | KTAS | GPH  | %<br>BHP                       | KTAS | GPH  | %<br>BHP                            | KTAS | GPH |     |
| 2500 | 23   | ---                                  | ---  | ---  | 75                             | 136  | 10.0 | 72                                  | 136  | 9.6 |     |
|      | 22   | 73                                   | 132  | 9.7  | 70                             | 132  | 9.4  | 68                                  | 132  | 9.1 |     |
|      | 21   | 68                                   | 128  | 9.1  | 66                             | 128  | 8.8  | 63                                  | 128  | 8.6 |     |
|      | 20   | 63                                   | 123  | 8.6  | 61                             | 123  | 8.3  | 59                                  | 123  | 8.1 |     |
|      | 2400 | 24                                   | ---  | ---  | ---                            | 77   | 137  | 10.2                                | 74   | 138 | 9.9 |
| 2400 | 23   | 75                                   | 133  | 10.0 | 72                             | 134  | 9.6  | 70                                  | 134  | 9.3 |     |
|      | 22   | 70                                   | 130  | 9.4  | 68                             | 130  | 9.1  | 66                                  | 130  | 8.8 |     |
|      | 21   | 66                                   | 126  | 8.8  | 63                             | 126  | 8.6  | 61                                  | 125  | 8.3 |     |
|      | 2300 | 24                                   | 77   | 134  | 10.2                           | 74   | 135  | 9.8                                 | 71   | 136 | 9.5 |
|      | 2300 | 23                                   | 72   | 131  | 9.6                            | 70   | 132  | 9.3                                 | 67   | 132 | 9.0 |
| 22   |      | 68                                   | 127  | 9.1  | 65                             | 128  | 8.8  | 63                                  | 127  | 8.5 |     |
| 21   |      | 63                                   | 123  | 8.5  | 61                             | 123  | 8.3  | 59                                  | 123  | 8.0 |     |
| 2200 |      | 24                                   | 74   | 132  | 9.9                            | 71   | 133  | 9.5                                 | 69   | 133 | 9.2 |
| 2200 |      | 23                                   | 70   | 129  | 9.3                            | 67   | 129  | 9.0                                 | 65   | 129 | 8.7 |
|      | 22   | 65                                   | 125  | 8.8  | 63                             | 125  | 8.5  | 61                                  | 125  | 8.2 |     |
|      | 21   | 61                                   | 121  | 8.3  | 59                             | 120  | 8.0  | 57                                  | 120  | 7.8 |     |
|      | 2100 | 23                                   | 67   | 126  | 8.9                            | 64   | 126  | 8.7                                 | 62   | 126 | 8.4 |
|      | 2100 | 22                                   | 62   | 122  | 8.5                            | 60   | 122  | 8.2                                 | 58   | 122 | 7.9 |
| 21   |      | 58                                   | 118  | 8.0  | 56                             | 117  | 7.7  | 54                                  | 117  | 7.5 |     |
| 20   |      | 54                                   | 113  | 7.5  | 52                             | 112  | 7.3  | 50                                  | 110  | 7.0 |     |
| 19   |      | 50                                   | 108  | 7.0  | 48                             | 106  | 6.8  | 46                                  | 103  | 6.6 |     |

Figure 5-7. Cruise Performance (Sheet 3 of 6)

### CRUISE PERFORMANCE

PRESSURE ALTITUDE 8000 FEET

CONDITIONS:  
2650 Pounds  
Recommended Lean Mixture  
Cowl Flaps Closed

**NOTE**  
For best fuel economy, operate at the leanest mixture that results in smooth engine operation or at peak EGT if an EGT indicator is installed.

| RPM  | MP | 20°C BELOW STANDARD TEMP -21°C |      |      | STANDARD TEMPERATURE -1°C |      |      | 20°C ABOVE STANDARD TEMP 19°C |      |     |
|------|----|--------------------------------|------|------|---------------------------|------|------|-------------------------------|------|-----|
|      |    | % BHP                          | KTAS | GPH  | % BHP                     | KTAS | GPH  | % BHP                         | KTAS | GPH |
| 2700 | 22 | ---                            | ---  | ---  | 77                        | 140  | 10.3 | 74                            | 141  | 9.9 |
|      | 21 | 75                             | 135  | 10.0 | 72                        | 136  | 9.6  | 70                            | 136  | 9.3 |
| 2600 | 22 | ---                            | ---  | ---  | 75                        | 138  | 10.0 | 72                            | 139  | 9.6 |
|      | 21 | 73                             | 134  | 9.7  | 70                        | 134  | 9.4  | 68                            | 134  | 9.1 |
|      | 20 | 68                             | 129  | 9.1  | 65                        | 129  | 8.8  | 63                            | 129  | 8.5 |
| 2500 | 22 | 75                             | 136  | 10.0 | 73                        | 136  | 9.7  | 70                            | 137  | 9.4 |
|      | 21 | 71                             | 132  | 9.4  | 68                        | 132  | 9.1  | 66                            | 132  | 8.8 |
|      | 20 | 66                             | 128  | 8.8  | 63                        | 127  | 8.6  | 61                            | 127  | 8.3 |
|      | 19 | 61                             | 123  | 8.3  | 59                        | 122  | 8.0  | 57                            | 121  | 7.8 |
| 2400 | 22 | 73                             | 134  | 9.7  | 70                        | 134  | 9.4  | 68                            | 134  | 9.1 |
|      | 21 | 68                             | 130  | 9.1  | 66                        | 130  | 8.8  | 63                            | 129  | 8.6 |
|      | 20 | 64                             | 125  | 8.6  | 61                        | 125  | 8.3  | 59                            | 124  | 8.1 |
|      | 19 | 59                             | 120  | 8.0  | 57                        | 120  | 7.8  | 55                            | 118  | 7.6 |
| 2300 | 22 | 70                             | 132  | 9.4  | 68                        | 132  | 9.1  | 65                            | 132  | 8.8 |
|      | 21 | 66                             | 128  | 8.8  | 63                        | 127  | 8.5  | 61                            | 127  | 8.3 |
|      | 20 | 61                             | 123  | 8.3  | 59                        | 122  | 8.0  | 57                            | 121  | 7.8 |
|      | 19 | 57                             | 118  | 7.8  | 55                        | 117  | 7.5  | 53                            | 115  | 7.3 |
| 2200 | 22 | 68                             | 129  | 9.1  | 65                        | 129  | 8.8  | 63                            | 129  | 8.5 |
|      | 21 | 63                             | 125  | 8.5  | 61                        | 125  | 8.3  | 59                            | 124  | 8.0 |
|      | 20 | 59                             | 120  | 8.0  | 57                        | 120  | 7.8  | 55                            | 118  | 7.6 |
|      | 19 | 54                             | 115  | 7.5  | 52                        | 114  | 7.3  | 51                            | 112  | 7.1 |
| 2100 | 22 | 65                             | 127  | 8.7  | 63                        | 127  | 8.5  | 60                            | 126  | 8.2 |
|      | 21 | 61                             | 122  | 8.2  | 59                        | 122  | 8.0  | 57                            | 121  | 7.7 |
|      | 20 | 56                             | 117  | 7.7  | 54                        | 116  | 7.5  | 53                            | 115  | 7.3 |
|      | 19 | 52                             | 112  | 7.3  | 50                        | 110  | 7.0  | 49                            | 108  | 6.8 |
|      | 18 | 48                             | 105  | 6.8  | 46                        | 102  | 6.6  | 45                            | 99   | 6.4 |

Figure 5-7. Cruise Performance (Sheet 4 of 6)

### CRUISE PERFORMANCE

PRESSURE ALTITUDE 10,000 FEET

CONDITIONS:  
2650 Pounds  
Recommended Lean Mixture  
Cowl Flaps Closed

**NOTE**  
For best fuel economy, operate at the leanest mixture that results in smooth engine operation or at peak EGT if an EGT indicator is installed.

| RPM  | MP   | 20°C BELOW STANDARD TEMP -25°C |      |     | STANDARD TEMPERATURE -5°C |      |     | 20°C ABOVE STANDARD TEMP 15°C |      |     |
|------|------|--------------------------------|------|-----|---------------------------|------|-----|-------------------------------|------|-----|
|      |      | % BHP                          | KTAS | GPH | % BHP                     | KTAS | GPH | % BHP                         | KTAS | GPH |
| 2700 | 20   | 72                             | 136  | 9.7 | 70                        | 136  | 9.3 | 67                            | 136  | 9.0 |
|      | 19   | 67                             | 131  | 9.0 | 65                        | 131  | 8.7 | 62                            | 130  | 8.4 |
| 2600 | 20   | 70                             | 134  | 9.4 | 68                        | 134  | 9.0 | 65                            | 133  | 8.8 |
|      | 19   | 65                             | 129  | 8.8 | 63                        | 128  | 8.5 | 61                            | 128  | 8.2 |
|      | 18   | 60                             | 123  | 8.2 | 58                        | 123  | 7.9 | 56                            | 121  | 7.7 |
|      |      | 58                             | 123  | 8.2 | 56                        | 123  | 7.9 | 54                            | 119  | 7.5 |
| 2500 | 20   | 68                             | 132  | 9.1 | 66                        | 132  | 8.8 | 63                            | 131  | 8.5 |
|      | 19   | 63                             | 127  | 8.5 | 61                        | 126  | 8.3 | 59                            | 125  | 8.0 |
|      | 18   | 58                             | 121  | 8.0 | 56                        | 120  | 7.7 | 54                            | 119  | 7.5 |
|      |      | 54                             | 115  | 7.4 | 52                        | 113  | 7.2 | 50                            | 110  | 7.0 |
|      | 2400 | 20                             | 66   | 130 | 8.9                       | 63   | 129 | 8.6                           | 61   | 129 |
| 19   |      | 61                             | 124  | 8.3 | 59                        | 124  | 8.0 | 57                            | 123  | 7.8 |
| 18   |      | 56                             | 119  | 7.7 | 54                        | 118  | 7.5 | 52                            | 115  | 7.3 |
|      |      | 52                             | 112  | 7.2 | 50                        | 110  | 7.0 | 48                            | 107  | 6.8 |
| 2300 | 20   | 64                             | 127  | 8.6 | 61                        | 127  | 8.3 | 59                            | 126  | 8.0 |
|      | 19   | 59                             | 122  | 8.0 | 57                        | 121  | 7.8 | 55                            | 119  | 7.5 |
|      | 18   | 54                             | 116  | 7.5 | 52                        | 114  | 7.3 | 51                            | 112  | 7.1 |
|      |      | 50                             | 109  | 7.0 | 48                        | 106  | 6.8 | 46                            | 103  | 6.6 |
| 2200 | 20   | 61                             | 125  | 8.3 | 59                        | 124  | 8.0 | 57                            | 123  | 7.8 |
|      | 19   | 57                             | 119  | 7.8 | 55                        | 118  | 7.5 | 53                            | 116  | 7.3 |
|      | 18   | 52                             | 113  | 7.3 | 50                        | 111  | 7.0 | 49                            | 108  | 6.9 |
|      |      | 50                             | 109  | 7.0 | 48                        | 106  | 6.8 | 46                            | 103  | 6.6 |
| 2100 | 20   | 59                             | 122  | 8.0 | 57                        | 121  | 7.8 | 55                            | 119  | 7.5 |
|      | 19   | 55                             | 116  | 7.5 | 52                        | 115  | 7.3 | 51                            | 112  | 7.1 |
|      | 18   | 50                             | 110  | 7.0 | 48                        | 107  | 6.8 | 47                            | 104  | 6.6 |
|      |      | 48                             | 105  | 6.8 | 46                        | 102  | 6.6 | 45                            | 99   | 6.4 |

Figure 5-7. Cruise Performance (Sheet 5 of 6)

### CRUISE PERFORMANCE

PRESSURE ALTITUDE 12,000 FEET

CONDITIONS:  
2650 Pounds  
Recommended Lean Mixture  
Cowl Flaps Closed

**NOTE**

For best fuel economy, operate at the leanest mixture that results in smooth engine operation or at peak EGT if an EGT indicator is installed.

| RPM  | MP | 20°C BELOW<br>STANDARD TEMP<br>-29°C |      |     | STANDARD<br>TEMPERATURE<br>-9°C |      |     | 20°C ABOVE<br>STANDARD TEMP<br>11°C |      |     |
|------|----|--------------------------------------|------|-----|---------------------------------|------|-----|-------------------------------------|------|-----|
|      |    | %<br>BHP                             | KTAS | GPH | %<br>BHP                        | KTAS | GPH | %<br>BHP                            | KTAS | GPH |
| 2700 | 19 | 69                                   | 135  | 9.3 | 67                              | 135  | 9.0 | 64                                  | 134  | 8.7 |
|      | 18 | 64                                   | 130  | 8.7 | 62                              | 129  | 8.4 | 60                                  | 128  | 8.1 |
| 2600 | 19 | 67                                   | 133  | 9.0 | 65                              | 133  | 8.7 | 63                                  | 132  | 8.5 |
|      | 18 | 62                                   | 128  | 8.4 | 60                              | 127  | 8.2 | 58                                  | 125  | 7.9 |
|      | 17 | 57                                   | 121  | 7.8 | 55                              | 120  | 7.6 | 53                                  | 117  | 7.4 |
| 2500 | 19 | 65                                   | 131  | 8.8 | 63                              | 131  | 8.5 | 61                                  | 130  | 8.3 |
|      | 18 | 61                                   | 126  | 8.2 | 58                              | 125  | 8.0 | 56                                  | 123  | 7.7 |
|      | 17 | 56                                   | 119  | 7.6 | 54                              | 117  | 7.4 | 52                                  | 115  | 7.2 |
|      | 16 | 51                                   | 112  | 7.1 | 49                              | 108  | 6.9 | 47                                  | 104  | 6.7 |
| 2400 | 19 | 63                                   | 129  | 8.6 | 61                              | 128  | 8.3 | 59                                  | 127  | 8.0 |
|      | 18 | 59                                   | 123  | 7.8 | 56                              | 122  | 7.7 | 54                                  | 120  | 7.5 |
|      | 17 | 54                                   | 117  | 7.4 | 52                              | 114  | 7.2 | 50                                  | 111  | 7.0 |
|      | 16 | 49                                   | 108  | 6.9 | 47                              | 105  | 6.7 | 46                                  | 100  | 6.5 |
| 2300 | 19 | 61                                   | 126  | 8.3 | 59                              | 125  | 8.0 | 57                                  | 124  | 7.8 |
|      | 18 | 57                                   | 120  | 7.8 | 54                              | 119  | 7.5 | 53                                  | 116  | 7.3 |
|      | 17 | 52                                   | 113  | 7.2 | 50                              | 111  | 7.0 | 48                                  | 107  | 6.8 |
| 2200 | 19 | 59                                   | 124  | 8.1 | 57                              | 123  | 7.8 | 55                                  | 121  | 7.6 |
|      | 18 | 55                                   | 118  | 7.5 | 53                              | 115  | 7.3 | 51                                  | 112  | 7.1 |
|      | 17 | 50                                   | 110  | 7.0 | 48                              | 107  | 6.8 | 46                                  | 103  | 6.6 |
| 2100 | 19 | 57                                   | 121  | 7.8 | 55                              | 119  | 7.5 | 53                                  | 117  | 7.3 |
|      | 18 | 52                                   | 114  | 7.3 | 50                              | 112  | 7.1 | 49                                  | 108  | 6.9 |
|      | 17 | 48                                   | 106  | 6.8 | 46                              | 102  | 6.6 | 45                                  | 98   | 6.4 |

Figure 5-7. Cruise Performance (Sheet 6 of 6)

### RANGE PROFILE

45 MINUTES RESERVE  
44 GALLONS USABLE FUEL

CONDITIONS:  
2650 Pounds  
Recommended Lean Mixture for Cruise  
Standard Temperature  
Zero Wind

NOTE:  
This chart allows for the fuel used for engine start, taxi, takeoff and climb, and the distance during a normal climb up to 8000 feet and maximum climb above 8000 feet.

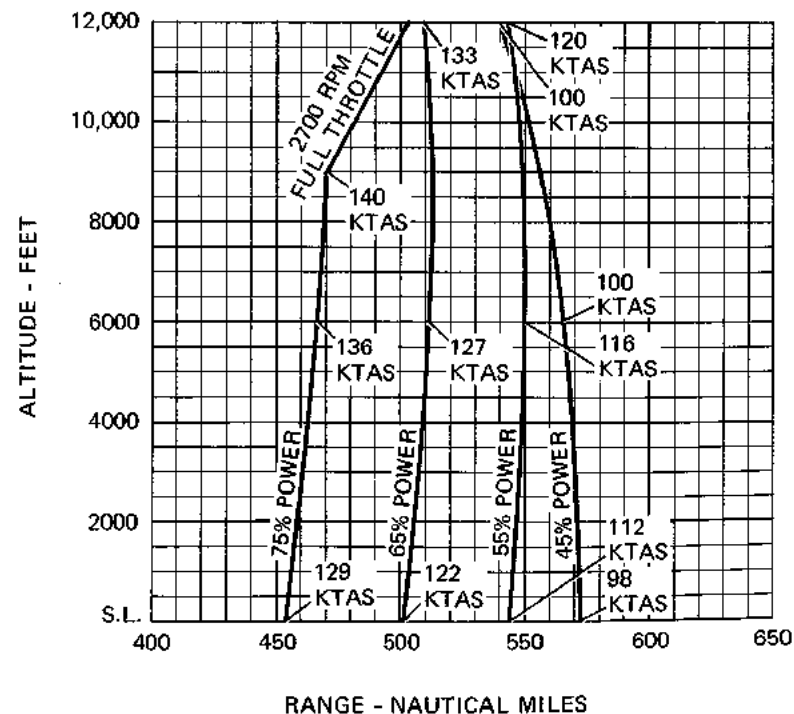


Figure 5-8. Range Profile (Sheet 1 of 2)

**RANGE PROFILE**  
45 MINUTES RESERVE  
62 GALLONS USABLE FUEL

**ENDURANCE PROFILE**  
45 MINUTES RESERVE  
44 GALLONS USABLE FUEL

CONDITIONS:  
2650 Pounds  
Recommended Lean Mixture for Cruise  
Standard Temperature  
Zero Wind:

CONDITIONS:  
2650 Pounds  
Recommended Lean Mixture for Cruise  
Standard Temperature

NOTE:  
This chart allows for the fuel used for engine start, taxi, takeoff and climb, and the distance during a normal climb up to 8000 feet and maximum climb above 8000 feet.

NOTE:  
This chart allows for the fuel used for engine start, taxi, takeoff and climb, and the time during a normal climb up to 8000 feet and maximum climb above 8000 feet.

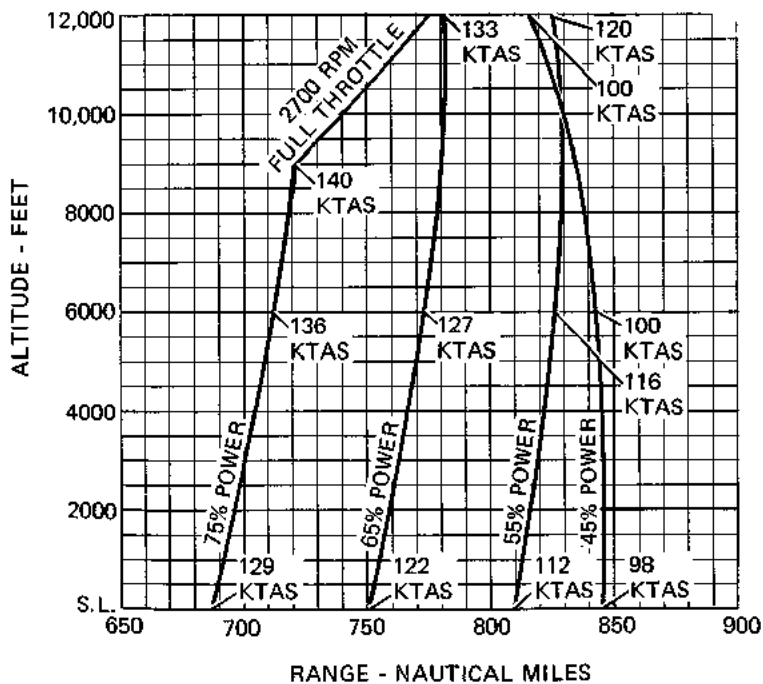


Figure 5-8. Range Profile (Sheet 2 of 2)

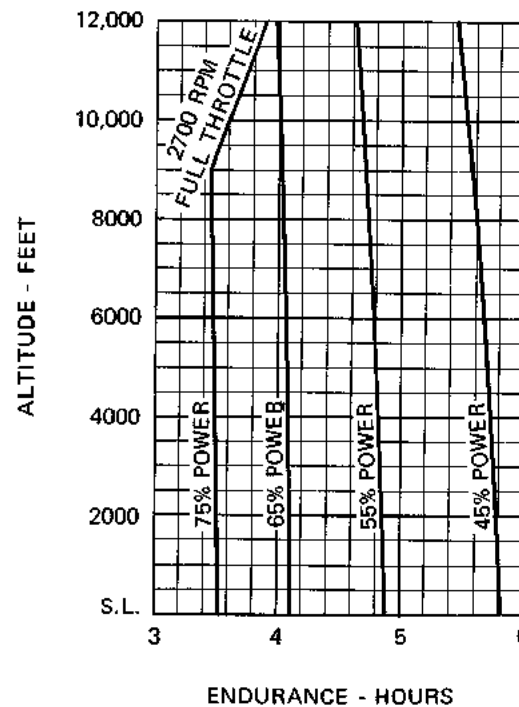


Figure 5-9. Endurance Profile (Sheet 1 of 2)

**ENDURANCE PROFILE**  
45 MINUTES RESERVE  
62 GALLONS USABLE FUEL

CONDITIONS:  
2650 Pounds  
Recommended Lean Mixture for Cruise  
Standard Temperature

NOTE:  
This chart allows for the fuel used for engine start, taxi, takeoff and climb, and the time during a normal climb up to 8000 feet and maximum climb above 8000 feet.

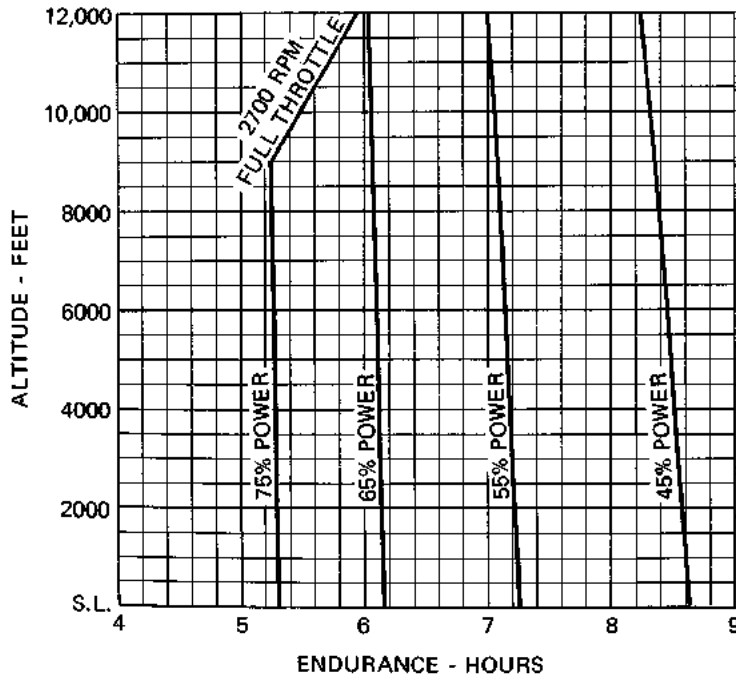


Figure 5-9. Endurance Profile (Sheet 2 of 2)

**LANDING DISTANCE**

**SHORT FIELD**

CONDITIONS:  
Flaps 30°  
Power Off  
Maximum Braking  
Paved, Level, Dry Runway  
Zero Wind

NOTES:

1. Short field technique as specified in Section 4.
2. Decrease distances 10% for each 9 knots headwind. For operation with tailwinds up to 10 knots, increase distances by 10% for each 2 knots.
3. For operation on a dry, grass runway, increase distances by 40% of the "ground roll" figure.

| WEIGHT<br>LBS | SPEED<br>AT<br>50 FT<br>KIAS | PRESS<br>ALT<br>FT | 0°C          |                                | 10°C         |                                | 20°C         |                                | 30°C         |                                | 40°C         |                                |
|---------------|------------------------------|--------------------|--------------|--------------------------------|--------------|--------------------------------|--------------|--------------------------------|--------------|--------------------------------|--------------|--------------------------------|
|               |                              |                    | GRND<br>ROLL | TOTAL<br>TO CLEAR<br>50 FT OBS | GRND<br>ROLL | TOTAL<br>TO CLEAR<br>50 FT OBS | GRND<br>ROLL | TOTAL<br>TO CLEAR<br>50 FT OBS | GRND<br>ROLL | TOTAL<br>TO CLEAR<br>50 FT OBS | GRND<br>ROLL | TOTAL<br>TO CLEAR<br>50 FT OBS |
| 2650          | 63                           | S.L.               | 590          | 1290                           | 615          | 1325                           | 635          | 1355                           | 660          | 1395                           | 680          | 1425                           |
|               |                              | 1000               | 615          | 1325                           | 635          | 1355                           | 660          | 1395                           | 685          | 1430                           | 705          | 1465                           |
|               |                              | 2000               | 635          | 1355                           | 660          | 1395                           | 685          | 1430                           | 710          | 1470                           | 735          | 1505                           |
|               |                              | 3000               | 660          | 1395                           | 685          | 1430                           | 710          | 1470                           | 735          | 1510                           | 760          | 1545                           |
|               |                              | 4000               | 685          | 1430                           | 710          | 1470                           | 735          | 1510                           | 760          | 1550                           | 785          | 1585                           |
|               |                              | 5000               | 710          | 1470                           | 740          | 1515                           | 765          | 1555                           | 790          | 1590                           | 815          | 1630                           |
|               |                              | 6000               | 740          | 1515                           | 765          | 1555                           | 795          | 1595                           | 820          | 1635                           | 850          | 1680                           |
|               |                              | 7000               | 770          | 1560                           | 795          | 1600                           | 825          | 1645                           | 850          | 1685                           | 880          | 1725                           |
|               |                              | 8000               | 800          | 1605                           | 825          | 1645                           | 855          | 1690                           | 885          | 1735                           | 915          | 1780                           |

Figure 5-10. Landing Distance

# SECTION 6 WEIGHT & BALANCE/ EQUIPMENT LIST

## TABLE OF CONTENTS

|  | Page |
|--|------|
| Introduction . . . . .                 | 6-3  |
| Airplane Weighing Procedures . . . . . | 6-3  |
| Weight And Balance . . . . .           | 6-6  |
| Baggage Tie-Down . . . . .             | 6-6  |
| Equipment List . . . . .               | 6-15 |

## INTRODUCTION

This section describes the procedure for establishing the basic empty weight and moment of the airplane. Sample forms are provided for reference. Procedures for calculating the weight and moment for various operations are also provided. A comprehensive list of all Cessna equipment available for this airplane is included at the back of this section.

It should be noted that specific information regarding the weight, arm, moment and installed equipment for this airplane as delivered from the factory can only be found in the plastic envelope carried in the back of this handbook.

It is the responsibility of the pilot to ensure that the airplane is loaded properly.

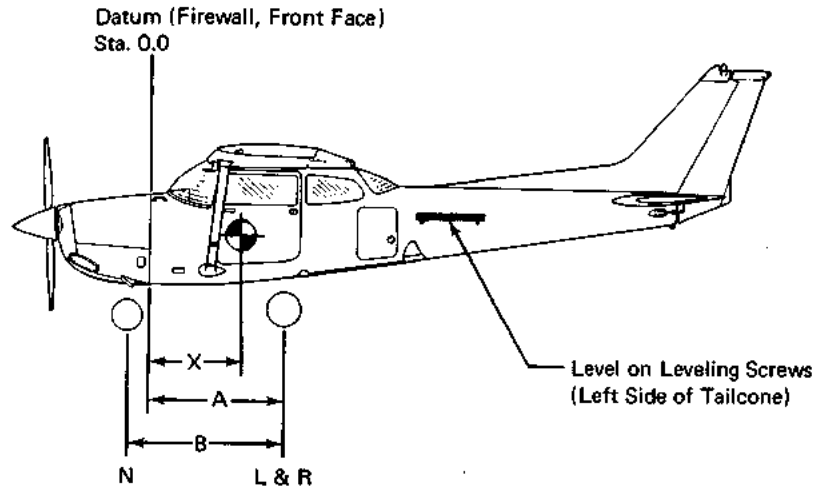
## AIRPLANE WEIGHING PROCEDURES

1. Preparation:
  - a. Inflate tires to recommended operating pressures.
  - b. Remove the fuel tank sump quick-drain fittings and fuel selector valve quick-drain fitting to drain all fuel.
  - c. Remove oil sump drain plug to drain all oil.
  - d. Move sliding seats to the most forward position.
  - e. Raise flaps to the fully retracted position.
  - f. Place all control surfaces in neutral position.
2. Leveling:
  - a. Place scales under each wheel (minimum scale capacity, 1000 pounds).
  - b. Deflate the nose tire and/or lower or raise the nose strut to properly center the bubble in the level (see figure 6-1).
3. Weighing:
  - a. With the airplane level and brakes released, record the weight shown on each scale. Deduct the tare, if any, from each reading.
4. Measuring:
  - a. Obtain measurement A by measuring horizontally (along the airplane center line) from a line stretched between the main wheel centers to a plumb bob dropped from the firewall.
  - b. Obtain measurement B by measuring horizontally and parallel to the airplane center line, from center of nose wheel axle, left side, to a plumb bob dropped from the line between the main wheel centers. Repeat on right side and average the measurements.
5. Using weights from item 3 and measurements from item 4, the airplane weight and C.G. can be determined.
6. Basic Empty Weight may be determined by completing figure 6-1.



SECTION 6  
WEIGHT & BALANCE/  
EQUIPMENT LIST

CESSNA  
MODEL 172RG



| Scale Position                  | Scale Reading | Tare | Symbol | Net Weight |
|---------------------------------|---------------|------|--------|------------|
| Left Wheel                      |               |      | L      |            |
| Right Wheel                     |               |      | R      |            |
| Nose Wheel                      |               |      | N      |            |
| Sum of Net Weights (As Weighed) |               |      | W      |            |

$$X = \text{ARM} = \frac{(A) - (N) \times (B)}{W}; X = ( \quad ) - ( \quad ) \times ( \quad ) = ( \quad ) \text{ IN.}$$

| Item                                       | Weight (Lbs.) | X C.G. Arm (In.) | Moment/1000 (Lbs.-In.) |
|--|---------------|------------------|------------------------|
| Airplane Weight (From Item 5, Page 6-3)    |               |                  |                        |
| Add Oil:<br>(9 Qts at 7.5 Lbs/Gal)         | 16.9          | -16.1            | -0.3                   |
| Add Unusable Fuel:<br>(4 Gal at 6 Lbs/Gal) | 24.0          | 46.0             | 1.1                    |
| Equipment Changes                          |               |                  |                        |
| Airplane Basic Empty Weight                |               |                  |                        |

Figure 6-1. Sample Airplane Weighing

**SAMPLE WEIGHT AND BALANCE RECORD**

(Continuous History of Changes in Structure or Equipment Affecting Weight and Balance)

CESSNA  
MODEL 172RG

SECTION 6  
WEIGHT & BALANCE/  
EQUIPMENT LIST

| AIRPLANE MODEL | DATE | ITEM NO. | DESCRIPTION<br>OF ARTICLE OR MODIFICATION | SERIAL NUMBER |             | WEIGHT CHANGE | PAGE NUMBER | RUNNING BASIC<br>EMPTY WEIGHT |              |
|----------------|------|----------|---|---------------|-------------|---------------|-------------|-------------------------------|--------------|
|                |      |          |   | ADDED (+)     | REMOVED (-) |               |             | Wt. (lb.)                     | Moment /1000 |
|                |      |          |   | Wt. (lb.)     | Arm (In.)   | Moment /1000  |             | Wt. (lb.)                     | Moment /1000 |
|                |      |          |   |               |             |               |             |                               |              |
|                |      |          |   |               |             |               |             |                               |              |
|                |      |          |   |               |             |               |             |                               |              |
|                |      |          |   |               |             |               |             |                               |              |
|                |      |          |   |               |             |               |             |                               |              |
|                |      |          |   |               |             |               |             |                               |              |
|                |      |          |   |               |             |               |             |                               |              |
|                |      |          |   |               |             |               |             |                               |              |
|                |      |          |   |               |             |               |             |                               |              |
|                |      |          |   |               |             |               |             |                               |              |
|                |      |          |   |               |             |               |             |                               |              |
|                |      |          |   |               |             |               |             |                               |              |
|                |      |          |   |               |             |               |             |                               |              |
|                |      |          |   |               |             |               |             |                               |              |
|                |      |          |   |               |             |               |             |                               |              |
|                |      |          |   |               |             |               |             |                               |              |
|                |      |          |   |               |             |               |             |                               |              |
|                |      |          |   |               |             |               |             |                               |              |
|                |      |          |   |               |             |               |             |                               |              |
|                |      |          |   |               |             |               |             |                               |              |
|                |      |          |   |               |             |               |             |                               |              |

Figure 6-2. Sample Weight and Balance Record

## WEIGHT AND BALANCE

The following information will enable you to operate your Cessna within the prescribed weight and center of gravity limitations. To figure weight and balance, use the Sample Problem, Loading Graph, and Center of Gravity Moment Envelope as follows:

Take the basic empty weight and moment from appropriate weight and balance records carried in your airplane, and enter them in the column titled YOUR AIRPLANE on the Sample Loading Problem.

### NOTE

In addition to the basic empty weight and moment noted on these records, the C.G. arm (fuselage station) is also shown, but need not be used on the Sample Loading Problem. The moment which is shown must be divided by 1000 and this value used as the moment/1000 on the loading problem.

Use the Loading Graph to determine the moment/1000 for each additional item to be carried; then list these on the loading problem.

### NOTE

Loading Graph information for the pilot, passengers and baggage is based on seats positioned for average occupants and baggage loaded in the center of the baggage areas as shown on the Loading Arrangements diagram. For loadings which may differ from these, the Sample Loading Problem lists fuselage stations for these items to indicate their forward and aft C.G. range limitations (seat travel and baggage area limitation). Additional moment calculations, based on the actual weight and C.G. arm (fuselage station) of the item being loaded, must be made if the position of the load is different from that shown on the Loading Graph.

Total the weights and moments/1000 and plot these values on the Center of Gravity Moment Envelope to determine whether the point falls within the envelope, and if the loading is acceptable.

## BAGGAGE TIE-DOWN

A nylon baggage net having six tie-down straps is provided as standard equipment to secure baggage on the cabin floor aft of the rear seat (baggage area 1) and on the top of the wheel well (baggage area 2). Six

eyebolts serve as attaching points for the net. Two eyebolts for the forward tie-down straps are mounted on the cabin floor near each sidewall just forward of the baggage door approximately at station 90; two eyebolts are installed near the top of the forward surface of the wheel well slightly inboard of each sidewall approximately at station 108; and two eyebolts are located on the bulkhead below the aft window near each sidewall approximately at station 108.

When the cabin floor (baggage area 1) only is utilized for baggage, the two floor-mounted eyebolts and the two eyebolts on the forward surface of the wheel well (or the two eyebolts below the aft window) may be used, depending on the height of the baggage. When baggage is carried on the wheel well (baggage area 2), the eyebolts on the forward surface of the wheel well and the eyebolts below the aft window should be used. When baggage is loaded in both areas, all six eyebolts should be utilized.

A placard on the baggage door defines the weight limitations in the baggage areas.

### LOADING ARRANGEMENTS

\*Pilot or passenger center of gravity on adjustable seats positioned for average occupant. Numbers in parentheses indicate forward and aft limits of occupant center of gravity range.

\*\*Arm measured to the center of the areas shown.

- NOTES:
1. The usable fuel C.G. arm is located at station 48.0.
  2. The rear cabin wall (approximate station 108) or aft baggage wall (approximate station 124) can be used as convenient interior reference points for determining the location of baggage area fuselage stations.

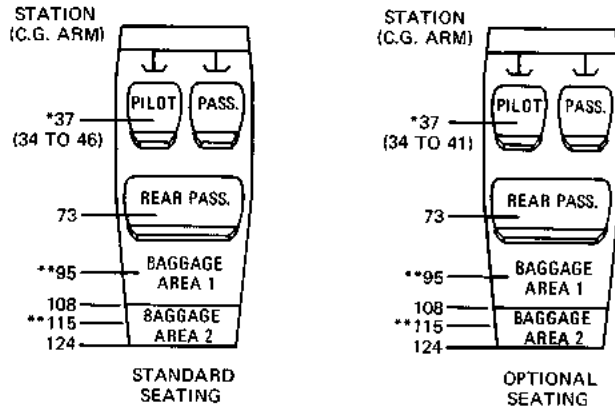
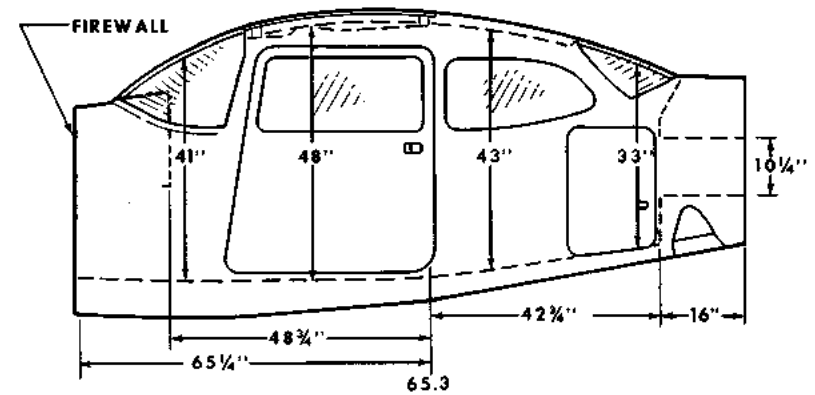


Figure 6-3. Loading Arrangements

### CABIN HEIGHT MEASUREMENTS



### DOOR OPENING DIMENSIONS

|              | WIDTH (TOP) | WIDTH (BOTTOM) | HEIGHT (FRONT) | HEIGHT (REAR) |
|--------------|-------------|----------------|----------------|---------------|
| CABIN DOOR   | 32"         | 37"            | 40 1/2"        | 39"           |
| BAGGAGE DOOR | 15 1/4"     | 15 1/4"        | 22"            | 21"           |

— WIDTH —  
 ● LWR WINDOW LINE  
 \* CABIN FLOOR

### CABIN WIDTH MEASUREMENTS

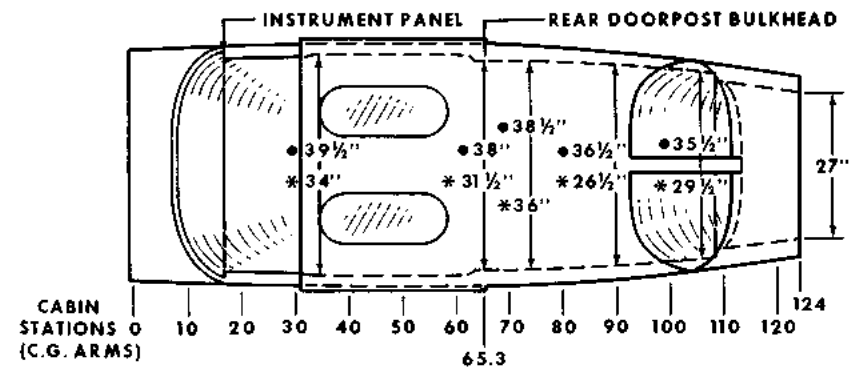


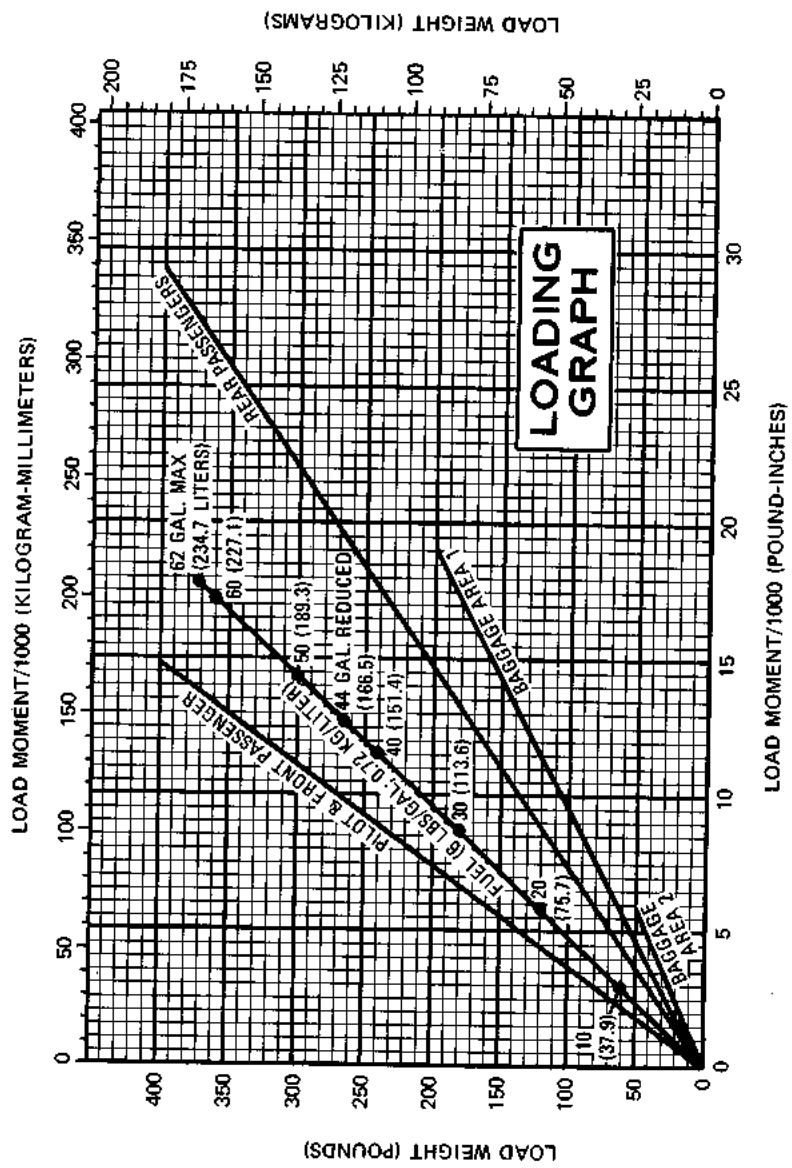
Figure 6-4. Internal Cabin Dimensions

SECTION 6  
WEIGHT & BALANCE/  
EQUIPMENT LIST

CESSNA  
MODEL 172RG

| SAMPLE AIRPLANE  | YOUR AIRPLANE |                           |
|--|---------------|---------------------------|
|  | Weight (lbs.) | Moment (lb. - ins. /1000) |
| 1. Basic Empty Weight (Use the data pertaining to your airplane as it is presently equipped. Includes unusable fuel and full oil)  | 1624          | 61.6                      |
| 2. Usable Fuel (At 6 Lbs./Gal.) Standard Tanks (62 Gal. Maximum)   |               |                           |
| Reduced Fuel (44 Gal.)   | 264           | 12.7                      |
| 3. Pilot and Front Passenger (Station 34 to 46)  | 340           | 12.6                      |
| 4. Rear Passengers   | 340           | 24.8                      |
| 5. * Baggage Area 1 (Station 82 to 108 - 200 Lbs. Max.)  | 90            | 8.6                       |
| 6. * Baggage Area 2 (Station 108 to 124 - 50 Lbs. Max.)  |               |                           |
| 7. RAMP WEIGHT AND MOMENT  | 2658          | 120.3                     |
| 8. Fuel allowance for engine start, taxi, and runup  | -8            | -4                        |
| 9. TAKEOFF WEIGHT AND MOMENT (Subtract Step 8 from Step 7)   | 2650          | 119.9                     |
| 10. Locate this point (2650 at 119.9) on the Center of Gravity Moment Envelope, and since this point falls within the envelope, the loading is acceptable.<br>* The maximum allowable combined weight capacity for baggage areas 1 and 2 is 200 lbs. |               |                           |

Figure 6-5. Sample Loading Problem



NOTES: Line representing adjustable seats shows the pilot or passenger center of gravity on adjustable seats positioned for an average occupant. Refer to the Loading Arrangements diagram for forward and aft limits of occupant C.G. range.

Figure 6-6. Loading Graph

SECTION 6  
WEIGHT & BALANCE/  
EQUIPMENT LIST

CESSNA  
MODEL 172RG

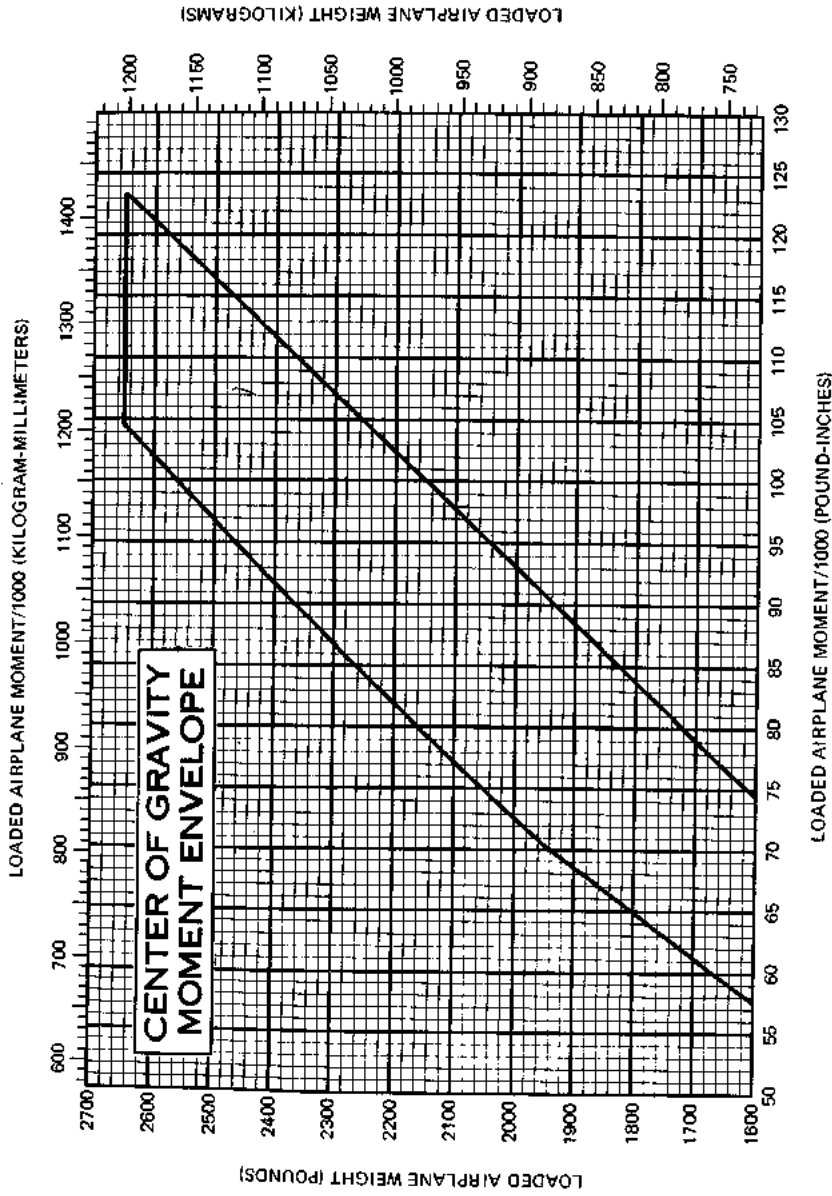


Figure 6-7. Center of Gravity Moment Envelope

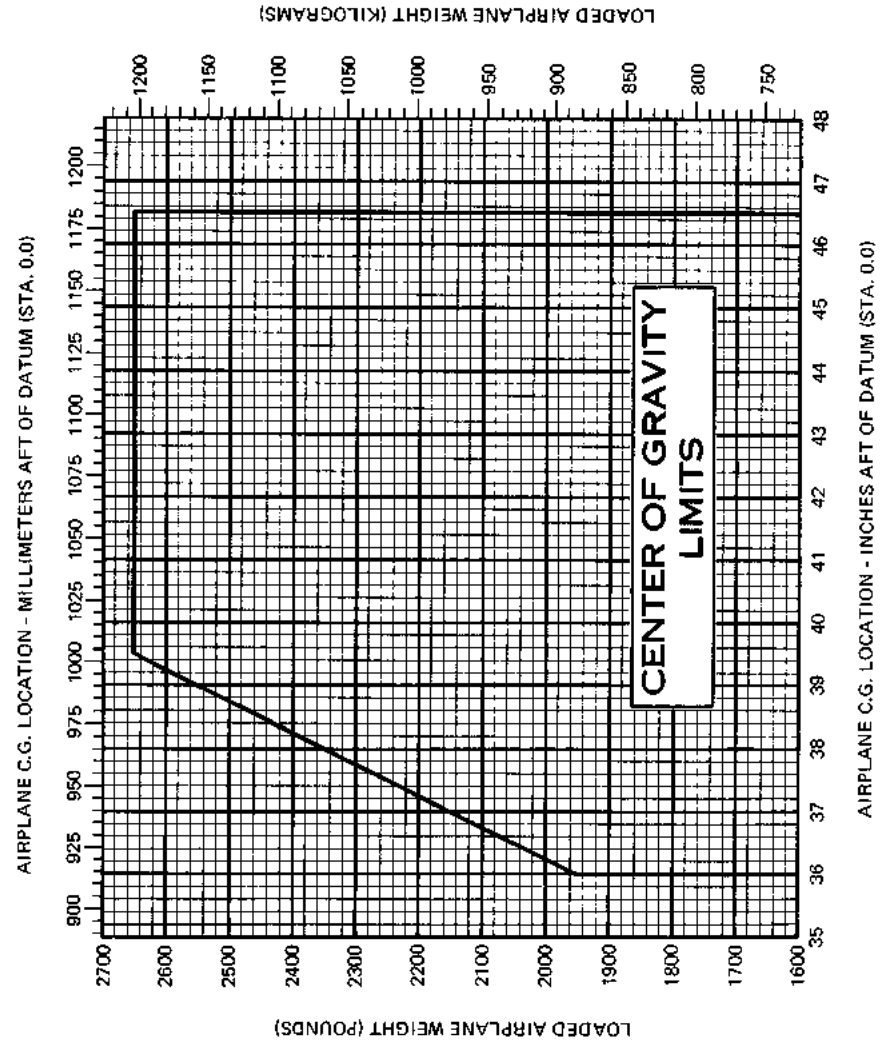


Figure 6-8. Center of Gravity Limits

## EQUIPMENT LIST

The following equipment list is a comprehensive list of all Cessna equipment available for this airplane. A separate equipment list of items installed in your specific airplane is provided in your aircraft file. The following list and the specific list for your airplane have a similar order of listing.

This equipment list provides the following information:

An **item number** gives the identification number for the item. Each number is prefixed with a letter which identifies the **descriptive** grouping (example: A. Powerplant & Accessories) under which it is listed. Suffix letters identify the equipment as a required item, a standard item or an optional item. Suffix letters are as follows:

- R = required items of equipment for FAA certification
- S = standard equipment items
- O = optional equipment items replacing required or standard items
- A = optional equipment items which are in addition to required or standard items

A **reference drawing** column provides the drawing number for the item.

### NOTE

If additional equipment is to be installed, it must be done in accordance with the reference drawing, accessory kit instructions, or a separate FAA approval.

Columns showing **weight (in pounds)** and **arm (in inches)** provide the weight and center of gravity location for the equipment.

### NOTE

Unless otherwise indicated, true values (not net change values) for the weight and arm are shown. Positive arms are distances aft of the airplane datum; negative arms are distances forward of the datum.

### NOTE

Asterisks (\*) after the item weight and arm indicate complete assembly installations. Some major components of the assembly are listed on the lines immediately following. The summation of these major components does not necessarily equal the complete assembly installation.

SECTION 6  
WEIGHT & BALANCE/  
EQUIPMENT LIST

CESSNA  
MODEL 172RG

| ITEM NO | EQUIPMENT LIST DESCRIPTION   | REF DRAWING  | WT LBS                                   | ARM INS                               |
|---------|--|--|--|---------------------------------------|
|         | A. POWERPLANT & ACCESSORIES  |  |  |                                       |
| A01-R   | ENGINE, LYCOMING O-350-F1A6 (INCLUDES ELECTRIC STARTER, VACUUM PAD, OIL FILTER MAGNETOS & SPARK PLUGS)   | 2450000  | 303.5                                    | -22.5                                 |
| A05-R   | FILTER, CARBURETOR AIR   | C294510-0501   | 1.2                                      | -11.0                                 |
| A09-R   | ALTERNATOR, 28 VOLT 60 AMP   | C611503-0102   | 10.7                                     | -32.0                                 |
| A33-R   | PROPELLER, CONSTANT SPEED  | C161008-Q111   | 55.9                                     | -43.7                                 |
| A37-R   | GOVERNOR, PROPELLER  | C161031-Q112   | 2.7                                      | -32.5                                 |
| A41-R   | SPINNER INSTALLATION<br>-SPINNER DJME  | 2450002<br>2450004-1   | 4.1*<br>2.0                              | -43.8*<br>-46.4                       |
| A61-S   | VACUUM SYSTEM INSTALLATION<br>-VACUUM<br>-FILTER<br>-GAUGE<br>-RELIEF VALVE & REGULATOR  | 2406001<br>C431003-0101<br>1201075<br>C668509-0101<br>C482001-0401                           | 3.0*<br>1.8<br>0.3<br>0.1<br>0.4         | -2.3*<br>-10.7<br>4.7<br>16.2<br>4.5  |
| A70-S   | PRIMER SYSTEM, ENGINE (3 CYLINDER)   | 2450000-2  | 0.5                                      | -12.0                                 |
| A73-O   | OIL QUICK DRAIN VALVE (NET CHANGE)   | 1701015-1  | 0.0                                      | -                                     |
|         | B. LANDING GEAR & ACCESSORIES  |  |  |                                       |
| B01-R   | WHEEL, BRAKE & TIRE ASSEMBLY, 15X6.00X6 MAIN (SET OF 2)<br>-WHEEL ASSEMBLY (EACH)<br>-BRAKE ASSEMBLY (LEFT)<br>-BRAKE ASSEMBLY (RIGHT)<br>-TIRE, 6-PLY BLACKWALL (EACH)<br>-TUBE, (EACH) | C16301980203<br>C163006-0101<br>C163032-0111<br>C163032-0112<br>C262026-0101<br>C262026-0101 | 33.8*<br>7.6<br>1.9<br>1.9<br>0.1<br>1.3 | 58.5*<br>59.0<br>54.5<br>56.3<br>59.0 |

CESSNA  
MODEL 172RG

SECTION 6  
WEIGHT & BALANCE/  
EQUIPMENT LIST

| ITEM NO | EQUIPMENT LIST DESCRIPTION  | REF DRAWING  | WT LBS                           | ARM INS                                    |
|---------|---|--|----------------------------------|--|
|         | C. ELECTRICAL SYSTEMS   |  |                                  |  |
| B04-R   | WHEEL & TIRE ASSY., 5.00X5 NOSE<br>-WHEEL ASSEMBLY, MCCAULEY<br>-TIRE, 6-PLY BLACK<br>-TUBE   | C163018-0104<br>C163005-0201<br>C262003-0202<br>C262023-0101 | 10.4*<br>3.8<br>5.2<br>1.4       | -4.9*<br>-4.9<br>-4.9                      |
| C01-R   | BATTERY, 24 VOLT (STANDARD CAPACITY)  | C614002-0101   | 23.2                             | 130.0                                      |
| C01-O   | BATTERY, 24 VOLT (HEAVY DUTY)   | C614002-0102   | 25.2                             | 130.0                                      |
| C04-R   | ALTERNATOR CONTROL UNIT WITH HIGH AND LOW VOLTAGE SENSING   | C611005-0101   | 0.4                              | 3.4  |
| C07-A   | (GROUND) SERVICE PLUG RECEPTACLE  | 2401005-1  | 2.7                              | 126.0                                      |
| C16-O   | HEATED PITOT SYSTEM (NET CHANGE)  | 2401004-1  | 0.6                              | 24.4                                       |
| C22-A   | LIGHTS, INSTRUMENT POST (REQUIRES E34-O)  | 2413120-1  | 0.5                              | 17.3                                       |
| C25-A   | LIGHT INSTALLATION, CONTROL WHEEL MOUNTED MAP (REQUIRES E89-O)  | 0570087-1  | 0.2                              | 21.5                                       |
| C28-S   | LIGHT INSTALLATION, MAP & INSTRUMENT FLOOD--300RPOST MOUNTED  | 0700149  | 0.3                              | 32.0                                       |
| C31-A   | LIGHTS, COURTESY (SET OF TWO)   | 0521101-1  | 0.5                              | 61.0                                       |
| C40-A   | DETECTORS, NAVIGATION LIGHT (SET OF TWO)  | 0701013-1,-2   | 0.0                              | -  |
| C43-A   | LIGHT INSTALLATION, OMNIFLASH BEACON<br>-BEACON LIGHT IN FIN TIP<br>-FLASHER POWER SUPPLY IN VERTICAL TAIL<br>-RESISTOR - MEMCOY (7174)<br>-WIRING & HARDWARE | 2406002-1<br>C621001-0102<br>C594572-0102<br>DA95-6          | 1.4*<br>0.4<br>0.6<br>0.2<br>0.2 | 204.7*<br>242.5<br>243.1<br>208.1<br>124.3 |
| C46-A   | LIGHT INSTALLATION, WING TIP STROBE<br>-FLASHER POWER SUPPLY, WING TIP RIB (2)<br>-STROBE LIGHT, WING TIP (SET OF 2)  | 0531027-5<br>C622008-0102<br>C622006-0107                    | 3.4*<br>2.3<br>0.2               | 43.3*<br>40.0<br>40.8                      |

SECTION 6  
WEIGHT & BALANCE/  
EQUIPMENT LIST

CESSNA  
MODEL 172RG

| ITEM NO | EQUIPMENT LIST DESCRIPTION  | REF DRAWING               | WT LBS      | ARM INS       |
|---------|---|---------------------------|-------------|---------------|
| C49-S   | -WIRING & HARDWARE<br>LIGHTS, LANDING, COWL MOUNTED - DUAL BULB<br><br>D. INSTRUMENTS | 2472901                   | 0.9<br>4.1  | 33.8<br>-18.6 |
| D01-R   | INDICATOR, AIRSPEED   | C661064-0108              | 0.6         | 16.0          |
| D01-U   | INDICATOR, TRUE AIRSPEED  | 2401012-1                 | 0.7         | 16.3          |
| D04-A   | STATIC AIR, ALTERNATE SOURCE  | D501017-1                 | 0.2         | 15.5          |
| D07-R   | ALTIMETER, SENSITIVE (INCHES OF MERCURY)  | C661071-0101              | 0.7         | 14.0          |
| D07-U-1 | ALTIMETER, SENSITIVE (FEET & MILLIBARS)<br>(50 FT. MARKINGS)                          | C661071-0102              | 0.7         | 14.0          |
| D07-U-2 | ALTIMETER, SENSITIVE (FEET & MILLIBARS)<br>(20 FT. MARKINGS)                          | C661025-0102              | 0.7         | 14.0          |
| D10-A   | ALTIMETER INSTALLATION - DUAL   | 2001015                   | 0.8         | 14.0          |
| D16-A-1 | ALTIMETER, ENCODING (REQUIRES RELOCATION<br>OF REGULAR TYPE ALTIMETER)                | D501049-1                 | 3.0         | 14.8          |
| D16-A-2 | ALTITUDE ENCODER (BLIND, DOES NOT REQUIRE<br>INSTRUMENT PANEL MOUNTING)<br>-ENCODER   | 2401009-1<br>C744001-0101 | 1.5*<br>1.3 | 14.4*<br>14.6 |
| D22-A   | GAGE, CARBURETOR AIR TEMPERATURE  | 2401019-1                 | 1.0         | 14.0          |
| D25-S   | CLOCK, ELECTRIC   | C664508-0102              | 0.3         | 16.3          |
| D25-U   | CLOCK, DIGITAL READ-OUT, ELECTRONIC   | C664511-0101              | 0.3         | 16.3          |
| D28-R   | COMPASS INSTALLATION, MAGNETIC  | D513262                   | 0.5         | 26.0          |
| D38-R   | INSTRUMENT CLUSTER, LH & RH FUEL  | C669562-0101              | 0.4         | 16.2          |

CESSNA  
MODEL 172RG

SECTION 6  
WEIGHT & BALANCE/  
EQUIPMENT LIST

| ITEM NO | EQUIPMENT LIST DESCRIPTION  | REF DRAWING                               | WT LBS             | ARM INS               |
|---------|---|---|--------------------|-----------------------|
| D41-R   | INSTRUMENT CLUSTER, CYL. HEAD & OIL TEMP.   | C669561-0101                              | 0.4                | 16.2                  |
| D43-R   | INSTRUMENT CLUSTER, AMMETER & OIL PRES  | *C669560-0103                             | 0.5                | 16.2                  |
| D49-A   | INDICATOR, ECONOMY MIXTURE (E.G.T.)   | 2401008-1                                 | 0.6                | 7.8                   |
| D55-R   | GAGE, MANIFOLD PRESSURE   | C662035-0104                              | 1.1                | 16.5                  |
| D64-S   | GYRO INSTALLATION, ATTITUDE & DIRECTIONAL<br>NON NAV-U-MATIC<br>-DIRECTIONAL GYRO<br>-ATTITUDE INDICATOR<br>-HOSES & HARDWARE | 2406001-1<br>C661075-0104<br>C661076-0101 | 6.3*<br>2.5<br>1.9 | 12.5*<br>13.5<br>10.2 |
| D64-U   | GYRO INSTALLATION FOR 300 NAV-U-MATIC<br>-DIRECTIONAL INDICATOR (ARC)<br>-ATTITUDE INDICATOR<br>-HOSES & HARDWARE             | 2406001-2<br>40760-0104<br>C661076-0101   | 6.4*<br>2.6<br>1.9 | 12.5*<br>13.5<br>10.2 |
| D67-A   | RECORDER, FLIGHT HOUR   | 2401014-1                                 | 0.5                | 6.3                   |
| D82-S   | GAGE, OUTSIDE AIR TEMP (C668507-0101)   | D500221                                   | 0.1                | 28.6                  |
| D85-R   | TACHOMETER INSTALLATION<br>-RECORDING TACH HEAD   | 2406000<br>C668020-0124                   | 1.0*<br>0.6        | 13.0*<br>15.5         |
| D88-S-1 | TURN COORDINATOR (28 VOLT OPERATION)  | C661003-0505                              | 1.3                | 15.8                  |
| D88-S-2 | TURN COORDINATOR (10 TO 30 VOLT)  | C661003-0506                              | 1.3                | 15.8                  |
| D88-U   | TURN COORDINATOR (FOR AUTO-PILOT USE)   | 42320-0028                                | 1.3                | 15.8                  |
| D91-S   | INDICATOR, VERTICAL SPEED<br><br>E. CABIN ACCOMMODATIONS  | C661080-0101                              | 1.0                | 15.7                  |
| E05-R   | SEAT, ADJUSTABLE FUR & AFT, PILOT   | D514181                                   | 16.3               | 44.0                  |
| E05-U   | SEAT, INFINITE ADJUSTING, PILOT   | D514182                                   | 23.0               | 41.5                  |

\* C669560-0108 on airplanes modified by Service Kit SK172-85.



SECTION 6  
WEIGHT & BALANCE/  
EQUIPMENT LIST

CESSNA  
MODEL 172RG

| ITEM NO | EQUIPMENT LIST DESCRIPTION   | REF DRAWING | WT LBS | ARM INS |
|---------|--|-------------|--------|---------|
| E07-S   | SEAT, ADJUSTABLE FORD & AFT, CO-PILOT                                  | 0514181     | 16.3   | 44.0    |
| E07-O   | SEAT, INFINITE ADJUSTING, CO-PILOT                                     | 0514182     | 23.0   | 41.5    |
| E09-S   | SEAT, REAR (TWO PIECE BACK CUSHION)                                    | 0514184     | 25.8   | 79.5    |
| E15-R   | BELT ASSEMBLY, PILOT LAP   | S-2275-103  | 1.0    | 37.0    |
| E15-S   | SHOULDER HARNESS ASSEMBLY, PILOT                                       | S-2275-201  | 0.6    | 37.0    |
| E19-O   | INERTIA REEL-SEAT BELT INSTALLATION,<br>PILOT AND COPILOT (NET CHANGE) | 0501046-1   | 2.0    | 82.0    |
| E23-S   | BELT & SHOULDER HARNESS ASSY. CO-PILOT                                 | S-2275-3    | 1.6    | 37.0    |
| E27-S   | SEAT BELT ASSEMBLY, REAR (SET OF TWO)                                  | S-1746-13   | 2.0    | 70.0    |
| E27-O   | BELT & SHOULDER HARNESS ASSY, 2ND ROW (2)                              | S-2275-8    | 3.2    | 70.0    |
| E33-O   | CARPETING, BLACK, NET CHANGE FOR STANDARD                              |             | NEGL   | --      |
| E34-O   | DELUXE GLARESHIELD (NET CHANGE)  | 0515034     | 1.0    | 21.0    |
| E35-A-1 | SEAT COVERING, VINYL, NET CHANGE                                       |             | NEGL   | --      |
| E35-A-2 | SEAT COVERING, LEATHER, NET CHANGE                                     | CES-1151    | 2.0    | 62.0    |
| E37-A   | WINDOW, RIGHT DOOR HINGED (NET CHANGE)                                 | 0501073-3   | 2.3    | 47.0    |
| E39-A   | WINDOWS, OVERHEAD CABIN TOP (NET INCREASE)                             | 0511800     | 0.9    | 47.9    |
| E43-A   | VENTILATION SYSTEM, REAR SEAT  | 0700322-14  | 1.7    | 50.9    |
| E49-A   | CUP HOLDER, RETRACTABLE (SET OF TWO)                                   | 0501023-2   | 0.1    | 15.5    |
| E50-A   | HEADREST, FRONT (SET OF TWO)   | 1215073-11  | 1.5    | 47.0    |
| E51-A   | HEADREST, REAR (SET OF TWO)  | 1215073-11  | 1.5    | 86.0    |
| E55-S   | SUN VISORS (SET OF 2)  | 0514166     | 0.9    | 32.8    |

CESSNA  
MODEL 172RG

SECTION 6  
WEIGHT & BALANCE/  
EQUIPMENT LIST

| ITEM NO | EQUIPMENT LIST DESCRIPTION  | REF DRAWING                        | WT LBS             | ARM INS              |
|---------|---|------------------------------------|--------------------|----------------------|
| E57-J   | TINTED GLASS (ALL AROUND) (NET CHANGE)  | 0500267-4                          | 0.0                | --                   |
| E59-A   | APPROACH PLATE HOLDER INSTL.  | 0415040                            | 0.1                | 20.5                 |
| E65-R   | BAGGAGE TIE DOWN NET  | 2015009-8                          | 0.5                | 95.0                 |
| E85-A   | CONTROLS, DUAL (CO-PILOT'S WHEEL, PEDALS<br>AND TOE BRAKES)<br>-CONTROL WHEEL WITH PROTECTIVE PADDING<br>-RUDDER PEDAL (SET OF 2) | 2401007-1<br>0415030-1<br>246700-1 | 4.9*<br>2.0<br>1.1 | 12.4*<br>26.0<br>6.8 |
| E87-S   | RUDDER TRIM SYSTEM  | 0513290                            | 1.9                | 9.4                  |
| E99-O   | ALL PURPOSE CONTROL WHEEL - NET CHANGE<br><br>F. PLACARDS, WARNINGS & MANUALS   | 0501068                            | NEGL               | --                   |
| F01-R   | PLACARD, OPERATIONAL LIMITATIONS VFR DAY  | 0505087                            | NEGL               | --                   |
| F01-O-1 | PLACARD, OPERATIONAL LIMITATIONS VFR DAY-<br>NIGHT  | 0505087                            | NEGL               | --                   |
| F01-O-2 | PLACARD, OPERATIONAL LIMITATIONS IFR DAY-<br>NIGHT  | 0505087                            | NEGL               | --                   |
| F07-R   | STALL & GEAR WARNING BLACKBOX (REQUIRES<br>ITEM H51-R FOR AUDIBLE OPERATION)  | 0523112-2                          | 0.5                | --                   |
| F10-S   | PILOTS CHECK LIST (STANDARD A/C)(STOWED)  | D1194-13                           | 0.0                | --                   |
| F10-O-1 | PILOTS CHECK LIST (200A NAV-O-MATIC)  | --                                 | 0.0                | --                   |
| F10-O-2 | PILOTS CHECK LIST (300A NAV-O-MATIC)  | --                                 | 0.0                | --                   |
| F16-R   | PILOT'S OPERATING HANDBOOK AND FAA<br>APPROVED AIRPLANE FLIGHT MANUAL<br><br>G. AUXILIARY EQUIPMENT                               | D1194-13PH                         | 1.3                | --                   |

SECTION 6  
WEIGHT & BALANCE/  
EQUIPMENT LIST

CESSNA  
MODEL 172RG

| ITEM NO | EQUIPMENT LIST DESCRIPTION   | REF DRAWING   | WT LBS | ARM INS |
|---------|--|---|--------|---------|
| G07-A   | RINGS, AIRPLANE HOISTING   | 0541115-1   | 1.1    | 49.1    |
| G13-A   | CORROSION PROOFING, INTERNAL   | 2401006-1   | 10.0   | 77.0    |
| G16-A   | STATIC DISCHARGER INSTALLATION (SET OF 10)   | 0501048-1   | 0.4    | 143.2   |
| G19-A   | STABILIZER ABRASION BOOTS  | 0500041-2   | 2.7    | 206.0   |
| G22-S   | TOW BAR (STOWED)   | 0501019   | 1.6    | 95.0    |
| G25-S   | PAINT SCHEME, OVERALL EXTERIOR COVER<br>-OVERALL-BASE WHITE<br>-STRIPES COLOR SCHEME   | 2404001   | 12.5*  | 90.4*   |
|         |  |   | 11.6   | 90.5    |
|         |  |   | 0.9    | 88.8    |
| G31-A   | CABLES, CORROSION RESISTANT CONTROL (NET CHANGE)   | 0500036   | NEGL   | --      |
| G55-A-1 | FIRE EXTINGUISHER (NOT AVAILABLE WITH STANDARD FRONT SEATS)  | 2401011-1   | 3.0    | 45.5    |
| G55-A-2 | FIRE EXTINGUISHER, VERTICAL ADJ SEAT   | 2401011-2   | 3.2    | 29.0    |
| G58-A   | STEPS AND HANDLE, REFUELING  | 2413123-1   | 1.7    | 17.8    |
| G67-A   | RUDUFR PEDAL EXTENSIONS, REMOVABLE - SET OF 2 (STOWABLE - INSTALLED ARM SHOWN) (NOT FACTORY INSTALLED)                         | 0501082-1   | 2.3    | 8.0     |
| G88-A   | WINTERIZATION KIT INSTALLATION, ENGINE<br>-COVER PLATE; FWD COWL (INSTALLED)<br>-COVER PLATE; FWD COWL (STOWED)                | 2401020-1   | 1.0*   | -24.3*  |
|         |  |   | 0.4    | -32.0   |
|         |  |   | 0.4    | 95.0    |
|         | H. AVIONICS & AUTOPILOTS   |   |        |         |
| H01-A   | CESSNA 300 ADF INSTALLATION, CONSISTS OF--<br>-RECEIVER WITH BFD, R-546E<br>-INDICATOR, IN-346A<br>-SENSE ANTENNA INSTALLATION | 3910159-25<br>41240-0001<br>40980-1001<br>0570400-632 | 6.9*   | 23.2*   |
|         |  |   | 3.3    | 13.1    |
|         |  |   | 0.9    | 14.1    |
|         |  |   | 0.2    | 101.8   |

CESSNA  
MODEL 172RG

SECTION 6  
WEIGHT & BALANCE/  
EQUIPMENT LIST

| ITEM NO | EQUIPMENT LIST DESCRIPTION   | REF DRAWING   | WT LBS  | ARM INS   |
|---------|--|---|---|---|
| H04-A   | -LOOP ANTENNA INSTALLATION<br>-MOUNT, WIRES & MISC ITEMS   | 3960104-1   | 1.4<br>1.1  | 58.2<br>20.8  |
| H05-A   | DME INSTALLATION, NARCO<br>-TRANSCIEIVER (DME-190)<br>-MOUNT ASSY<br>-CABLES, ANT. & MISC HARDWARE   | 3910166-14<br>3312-406<br>3950149-5,-6  | 6.4*<br>5.1<br>0.6<br>0.7                                       | 13.7*<br>13.1<br>13.1<br>18.9   |
| H07-A   | FOSTER R-NAV INSTALLATION (OVR ONLY)<br>-FOSTER R-NAV 511 COMPUTER<br>-DME 190 ADAPTER<br>-WIRING & MISC HARDWARE  | 3910203<br>80540202-1<br>AD80440105   | 3.1*<br>2.5<br>1.3<br>0.3                                       | 13.0*<br>14.1<br>20.0<br>14.5   |
| H08-A-1 | CESSNA 400 GLIDESLOPE (INCLUDES VOR/ILS INDICATOR--NET CHANGE FOR VOR/LOC RECEIVER, R-443B<br>-ANTENNA (LOCATED UPPER WINDSHIELD)<br>-VOR/ILS INDICATOR, IN-388A (ADDED)<br>-VOR/LOC INDICATOR, IN-385A (DELETED)<br>-MISC HARDWARE & CABLES | 3910157-18  | 5.9*  | 94.6*   |
| H08-A-2 | AUTO RADIAL CENTERING INDICATOR (ARC/LOC) EXCHANGE FOR VOR/LOC INDICATOR IN ITEM H22-A (NET CHANGE)<br>-VOR/LOC INDICATOR ADDED<br>-VOR/LOC INDICATOR DELETED  | 42100-0000<br>1200098<br>46860-2000<br>46860-1000   | 2.1<br>0.2<br>1.7<br>-1.6                                       | 133.9<br>28.0<br>14.7<br>14.7   |
| H08-A-2 | AUTO RADIAL CENTERING INDICATOR (ARC/ILS) EXCHANGE FOR VOR/ILS INDICATOR USED WITH ITEM H07-A ONLY (NET CHANGE)<br>-ARC/ILS INDICATOR ADDED<br>-VOR/ILS INDICATOR DELETED  | 3910196-1   | 0.2*  | 14.7*   |
| H11-A   | SUNAIK ASB-125HF TRANSCEIVER, 2ND UNIT<br>-ANTENNA LOAD BOX<br>-POWER SUPPLY, REMOTE<br>-TRANSCIEIVER (PANEL MOUNTED)<br>-ANTENNA INSTALLATION, 351 IN. LONG<br>-CABLES & MISC HARDWARE  | 46860-1200<br>46860-1000<br>3910196-2<br>3910158-43<br>93616<br>93683<br>93681<br>3960117-3 | 1.8<br>-1.7<br>0.1*<br>20.7*<br>3.2<br>8.5<br>5.3<br>0.3<br>1.4 | 14.7<br>14.7<br>14.7*<br>103.9*<br>132.7<br>140.0<br>14.7<br>165.8<br>102.2 |
| H13-A   | CESSNA 400 MARKER BEACON<br>-RECEIVER, R-402A  | 3910164-28<br>42410-5128  | 2.3*<br>0.7   | 59.2*<br>12.1   |

SECTION 8  
WEIGHT & BALANCE/  
EQUIPMENT LIST

CESSNA  
MODEL 172RG

| ITEM NO | EQUIPMENT LIST DESCRIPTION   | REF DRAWING  | WT LBS   | ARM INS  |
|---------|--|--|--|--|
| H16-A-1 | -ANTENNA, L SHAPED ROD<br>-MISC HARDWARE & CABLES<br>CESSNA 300 TRANSPONDER<br>-TRANSMITTER, RT-359A<br>-ANTENNA<br>-WIRING & MISC HARDWARE  | 0770681-1<br>3950149<br>3910127-29<br>41420-0028<br>42940-0000<br>3950149<br>3910128-28<br>41470-1028<br>42940-0000<br>3950149<br>3910183-43 | 0.7<br>0.9<br>4.1*<br>2.7<br>0.2<br>1.1<br>4.1*<br>2.7<br>0.2<br>1.1<br>7.7* | 140.0<br>33.0<br>26.4*<br>14.1<br>127.0<br>138.7<br>26.4*<br>14.1<br>127.0<br>138.7<br>13.3* |
| H22-A   | CESSNA 300 NAV/COM 720 CH COM INSTALLATION<br>REQUIRES--H34-A TO BE OPERATIONAL, 1ST UNIT<br>H37-A TO BE OPERATIONAL, 2ND UNIT<br>-RECEIVER-TRANSMITTER, RT-385A<br>-VOR/LUC INDICATOR, IN-385A<br>-MOUNT, WIRING & MISC ITEMS |  |  |  |
| H28-A-1 | EMERGENCY LOCATOR TRANSMITTER<br>-TRANSMITTER (O & M MELT-6-1)<br>-ANTENNA<br>-HARDWARE  | 0470419-3<br>C589511-0117<br>C589511-0109  | 3.5*<br>3.3<br>0.1   | 116.5*<br>116.4<br>114.3   |
| H28-A-2 | EMERGENCY LOCATOR TRANSMITTER (USED IN CANADA)<br>-TRANSMITTER (O & M MELT-6-1C)<br>-ANTENNA<br>-HARDWARE  | 0470419-4<br>C589511-0113<br>C589511-0109  | 3.5*<br>3.3<br>0.1   | 116.5*<br>116.4<br>114.3   |
| H31-A-1 | NAV-D-MATIC 200A<br>-CONTROLLER & MOUNT, CA-295B<br>-TURN COORDINATOR, G-300A (NET CHANGE)<br>-RELAY INSTALLATION<br>-WING SERV, PA-495 INSTALLATION<br>-ROLL ACTUATOR IS 3.9 LBS AT 68.9 IN.)<br>-WIRING & MISC ITEMS         | 3910162-25<br>3930144-8<br>42320-0028<br>2470016-4<br>0522632-7  | 8.2*<br>1.6<br>0.0<br>0.4<br>5.6   | 52.1*<br>13.8<br>-<br>-<br>68.1  |
| H31-A-2 | NAV-D-MATIC 300A (AF-395)<br>-CONTROLLER-AMPLIFIER & MOUNT, CA-395A<br>-6X80 INSTALLATION, D64-0, (NET CHANGE)   | 3910163-25<br>3930145-19<br>2406001-2  | 8.6*<br>2.0<br>0.1   | 50.2*<br>13.8<br>13.5  |

CESSNA  
MODEL 172RG

SECTION 6  
WEIGHT & BALANCE/  
EQUIPMENT LIST

| ITEM NO | EQUIPMENT LIST DESCRIPTION  | REF DRAWING   | WT LBS  | ARM INS   |
|---------|---|---|---|---|
| H33-A   | -TURN COORDINATOR (NET CHANGE)<br>-RELAY INSTALLATION<br>-WING SERV, PA-495 INSTALLATION<br>-ROLL ACTUATOR IS 3.9 LBS AT 68.9 IN.)<br>-WIRING & MISC ITEMS<br>INTERCOM SYSTEM, (REQUIRES--H34-A AND H30-A TO BE OPERATIONAL)  | 42320-0028<br>2470016-4<br>0522632-7<br>3950149-17<br>3910210   | 0.0<br>0.4<br>5.6<br>0.6<br>0.4                                     | -<br>4.0<br>68.1<br>30.2<br>19.3  |
| H34-A   | BASIC AVIONICS KIT INSTALLATION<br>-RADIO COOLING INSTALLATION<br>-NOISE FILTER INSTALLATION<br>-CUM ANTENNA CABLE INSTALLATION, LH VHF<br>-NAV, ANTENNA CABLE INSTALLATION, LH VHF<br>-CUM ANTENNA CABLE INSTALLATION, LH VHF<br>-CUM ANTENNA INSTALLATION, LH VHF<br>-MAKE INSTALLATION, HAND HELD<br>-HEADPHONE INSTL, (STOWED ARM SHOWN)<br>-AUDIO CONTROL PANEL INSTALLATION<br>-1ST N/C TRANSMITTER KIT | 3910186-17<br>3940148-2<br>3950149-10<br>3950149-8<br>C1-159<br>3960113-1<br>3970124-7<br>3970125-4<br>3970152<br>3930186-2 | 5.5*<br>1.1<br>0.1<br>0.4<br>0.6<br>0.4<br>0.3<br>0.2<br>1.8<br>0.1 | 46.6*<br>10.2<br>-29.0<br>27.8<br>116.0<br>220.8<br>62.4<br>17.2<br>14.2<br>116.5 |
| H37-A   | CUM ANTENNA & LMNI COUPLER KIT<br>-CUM ANTENNA CABLE, RH VHF<br>-CUM ANTENNA COUPLER (SIGNAL SPLITTER)<br>-CUM ANTENNA INSTL, RH VHF<br>-2ND N/C TRANSMITTER KIT INSTL.   | 3910185-15<br>3950149-9<br>3960111-12<br>3960113-2<br>3930186-4   | 1.1*<br>0.4<br>0.2<br>0.4<br>0.1                                    | 35.6*<br>27.8<br>0.2<br>62.4<br>16.5  |
| H43-A   | AVIONICS OPTION J NAV-D-MATIC WING PROV.  | 0522632-2,-6  | 1.7   | 68.2  |
| H55-A   | MIKE-HEADSET COMBO, INSTL (HEADSET STOWED)<br>REQUIRES ALL PURPOSE CONTROL WHEEL (E89-0)  | C596533-0101  | 0.3   | 13.0  |
| H56-A   | MICROPHONE/HEADSET, PADDED (STOWED)<br>(REQUIRES ALL PURPOSE CONTROL WHEEL E89-0)   | C596531-0101  | 1.1   | 13.0  |
| H61-K   | CABIN SPEAKER AND GEAR WARNING HORN   | C596510-0101  | 1.9   | 38.5  |
| H64-A   | AVIONICS PARTIAL OPTION 'A' (EXPORT ONLY)   | 3910206-23  | 2.8   | 104.5   |
| H67-A   | AVIONICS PARTIAL OPTION 'B' (EXPORT ONLY)   | 3910206-24  | 3.8   | 86.5  |

# SECTION 7 AIRPLANE & SYSTEMS DESCRIPTIONS

| ITEM NO | EQUIPMENT LIST DESCRIPTION  | REF DRAWING   | WT LBS  | ARM INS  |
|---------|---|---|---|--|
| J01-A   | J. SPECIAL OPTION PACKAGES<br><br>CUTLASS RG II EQUIPMENT CONSISTS OF ITEMS<br>-C16-0 HEATED PIYUT SYSTEM<br>-C13-A COURTESY LIGHTS<br>-C40-A NAV. LIGHT DETECTORS<br>-C43-A FLASHING BEACON LIGHT<br>-D01-0 TRUE AIRSPEED IND. (MET CHG)<br>-E85-A STATIC AIR, ALTERNATE SOURCE<br>-H01-A DUAL CONTROLS<br>-H16-A-1 CESSNA 300 ADF, R-346E<br>-H22-A 300 TRANSPONDER, RT-355A<br>-H23-A NAV/COM IN-385A VOR/LOC<br>-H24-A-1 EMERGENCY LOCATOR TRANSMITTER<br>-H34-A BASIC AVIONIC KIT<br><br>NAV-PAC INSTALLATION<br>-H37-A ANTENNA & COUPLER KIT<br>-H37-A GLIDESLOPE, R-443B<br>-H13-A CESSNA 400 MARKER BEACON<br>-H22-A 300 NAV/COM, 2ND UNIT INSTL. | 24010004-1<br>05211011-1, -2<br>07010113-1<br>24060002-1<br>24010112<br>05010117-1<br>24010007-1<br>39101159-25<br>39101127-29<br>39101183-43<br>04701189-43<br>39101186-17<br><br>39101185-15<br>39101157-18<br>39101164-28<br>39101183-43 | 35.4*<br>0.6<br>NEGL<br>1.0<br>1.2<br>0.9<br>4.9<br>4.7<br>7.5<br>3.5<br>5.5<br><br>17.0*<br>1.1<br>5.9<br>2.3<br>7.7 | 40.1*<br>24.4<br>61.0<br>-7<br>204.1<br>15.5<br>13.3<br>23.2<br>28.4<br>13.3<br>116.5<br>46.6<br><br>49.2*<br>35.6<br>94.6<br>59.3<br>13.3 |
| J04-A   |   |   |   |  |

## TABLE OF CONTENTS

|  | Page |
|--|------|
| Introduction . . . . .   | 7-3  |
| Airframe . . . . .   | 7-3  |
| Flight Controls . . . . .  | 7-8  |
| Trim Systems . . . . .   | 7-8  |
| Instrument Panel . . . . .   | 7-8  |
| Ground Control . . . . .   | 7-9  |
| Wing Flap System . . . . .   | 7-10 |
| Landing Gear System . . . . .  | 7-11 |
| Landing Gear Lever . . . . .   | 7-11 |
| Landing Gear Position Indicator Lights . . . . .                     | 7-12 |
| Landing Gear Operation . . . . .                                     | 7-12 |
| Emergency Hand Pump . . . . .  | 7-12 |
| Landing Gear Warning System . . . . .                                | 7-13 |
| Baggage Compartment . . . . .  | 7-13 |
| Seats . . . . .  | 7-13 |
| Seat Belts And Shoulder Harnesses . . . . .                          | 7-14 |
| Seat Belts . . . . .   | 7-14 |
| Shoulder Harnesses . . . . .   | 7-15 |
| Integrated Seat Belt/Shoulder Harnesses With Inertia Reels . . . . . | 7-15 |
| Entrance Doors And Cabin Windows . . . . .                           | 7-17 |
| Control Locks . . . . .  | 7-18 |
| Engine . . . . .   | 7-18 |
| Engine Controls . . . . .  | 7-18 |
| Engine Instruments . . . . .   | 7-19 |
| New Engine Break-In And Operation . . . . .                          | 7-20 |
| Engine Oil System . . . . .  | 7-20 |
| Ignition-Starter System . . . . .                                    | 7-21 |
| Air Induction System . . . . .                                       | 7-21 |
| Exhaust System . . . . .   | 7-22 |
| Carburetor And Priming System . . . . .                              | 7-22 |
| Cooling System . . . . .   | 7-22 |
| Propeller . . . . .  | 7-23 |
| Fuel System . . . . .  | 7-23 |

## TABLE OF CONTENTS (Continued)

|   | Page |
|---|------|
| Hydraulic System . . . . .                                      | 7-27 |
| Brake System . . . . .  | 7-27 |
| Electrical System . . . . .                                     | 7-29 |
| Master Switch . . . . .   | 7-29 |
| Avionics Power Switch . . . . .                                 | 7-31 |
| Ammeter . . . . .   | 7-31 |
| Alternator Control Unit and Low-Voltage Warning Light . . . . . | 7-31 |
| Circuit Breakers And Fuses . . . . .                            | 7-32 |
| Ground Service Plug Receptacle . . . . .                        | 7-33 |
| Lighting Systems . . . . .                                      | 7-33 |
| Exterior Lighting . . . . .                                     | 7-33 |
| Interior Lighting . . . . .                                     | 7-33 |
| Cabin Heating, Ventilating And Defrosting System . . . . .      | 7-35 |
| Pitot-Static System And Instruments . . . . .                   | 7-35 |
| Airspeed Indicator . . . . .                                    | 7-37 |
| Vertical Speed Indicator . . . . .                              | 7-38 |
| Altimeter . . . . .   | 7-38 |
| Vacuum System And Instruments . . . . .                         | 7-38 |
| Attitude Indicator . . . . .                                    | 7-38 |
| Directional Indicator . . . . .                                 | 7-38 |
| Suction Gage . . . . .  | 7-40 |
| Stall Warning System . . . . .                                  | 7-40 |
| Avionics Support Equipment . . . . .                            | 7-40 |
| Avionics Cooling Fan . . . . .                                  | 7-40 |
| Microphone - Headset Installations . . . . .                    | 7-41 |
| Static Dischargers . . . . .                                    | 7-41 |

## INTRODUCTION

This section provides description and operation of the airplane and its systems. Some equipment described herein is optional and may not be installed in the airplane. Refer to Section 9, Supplements, for details of other optional systems and equipment.

## AIRFRAME

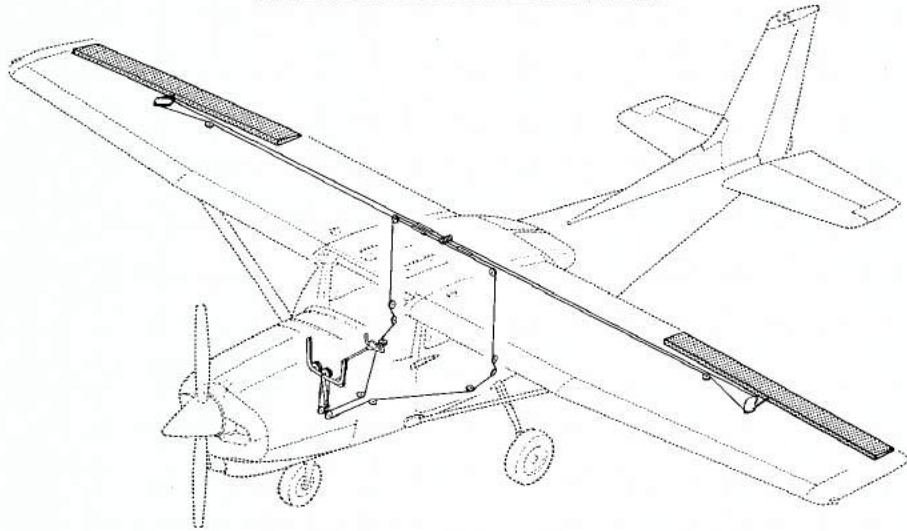
The airplane is an all-metal, four-place, high-wing, single-engine airplane equipped with retractable tricycle landing gear and designed for general utility purposes.

The construction of the fuselage is a conventional formed sheet metal bulkhead, stringer, and skin design referred to as semimonocoque. Major items of structure are the front and rear carry-through spars to which the wings are attached, a bulkhead with attaching plates at the base of the forward doorposts for the lower attachment of the wing struts, and the forgings and structure for the retractable main landing gear in the lower aft portion of the fuselage center section. Four engine mount stringers are also attached to the forward doorposts and extend forward to the firewall. A tunnel incorporated into the fuselage structure below the engine, in front of the firewall, is required for the forward retracting nose wheel.

The externally braced wings, containing the fuel tanks, are constructed of a front and rear spar with formed sheet metal ribs, doublers, and stringers. The entire structure is covered with aluminum skin. The front spars are equipped with wing-to-fuselage and wing-to-strut attach fittings. The aft spars are equipped with wing-to-fuselage attach fittings, and are partial-span spars. Conventional hinged ailerons and single-slot type flaps are attached to the trailing edge of the wings. The ailerons are constructed of a forward spar containing balance weights, formed sheet metal ribs and "V" type corrugated aluminum skin joined together at the trailing edge. The flaps are constructed basically the same as the ailerons, with the exception of balance weights and the addition of a formed sheet metal leading edge section.

The empennage (tail assembly) consists of a conventional vertical stabilizer, rudder, horizontal stabilizer, and elevator. The vertical stabilizer consists of a forward and aft spar, formed sheet metal ribs and reinforcements, a wrap-around skin panel, formed leading edge skin, and a dorsal. The rudder is constructed of a formed leading edge skin containing hinge halves, a center wrap-around skin panel, ribs, an aft wrap-around skin panel which is joined at the trailing edge of the rudder by a filler strip, and a ground adjustable trim tab at the base of the trailing edge. The top of

**AILERON CONTROL SYSTEM**



**RUDDER AND RUDDER TRIM CONTROL SYSTEMS**

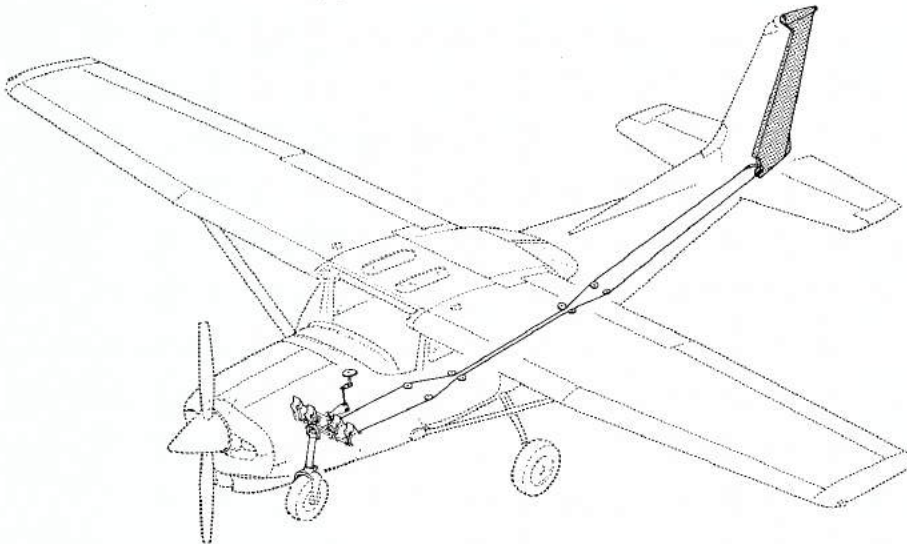
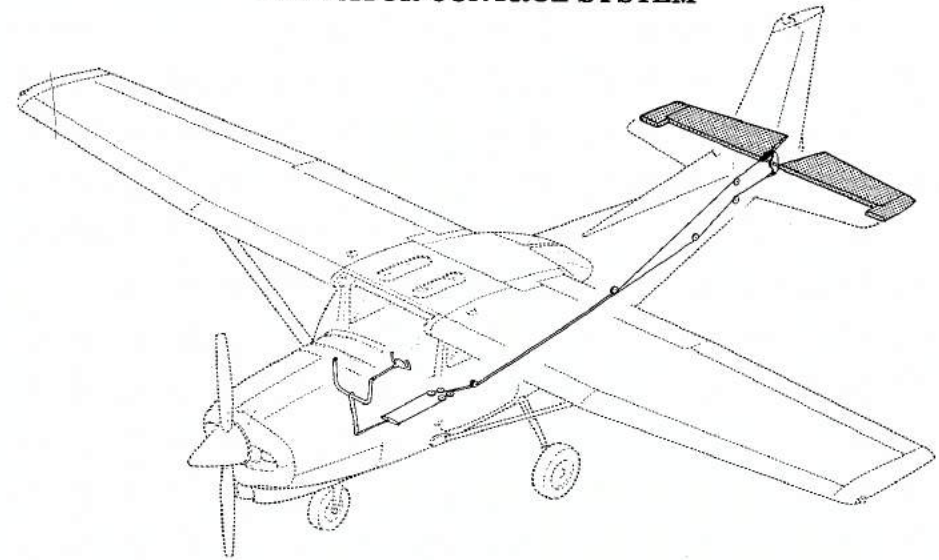


Figure 7-1. Flight Control and Trim Systems (Sheet 1 of 2)

**ELEVATOR CONTROL SYSTEM**



**ELEVATOR TRIM CONTROL SYSTEM**

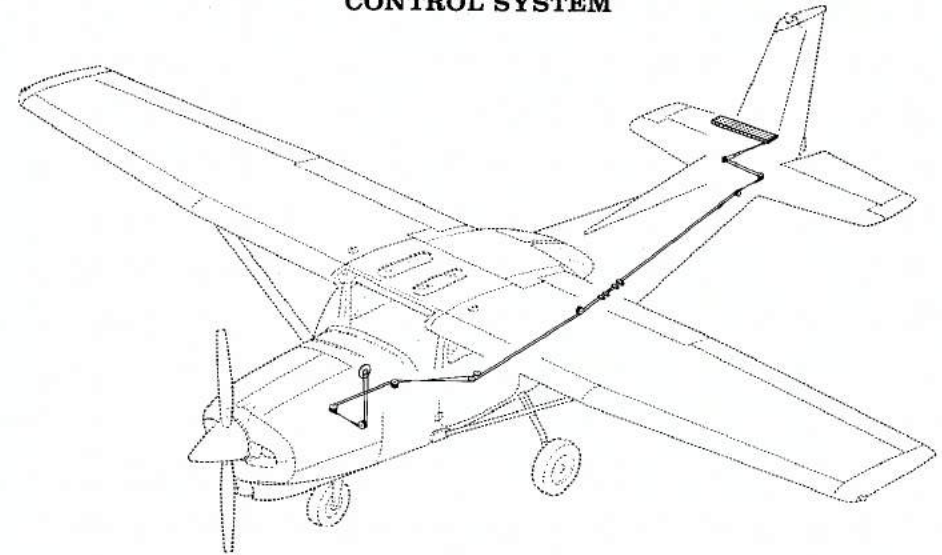


Figure 7-1. Flight Control and Trim Systems (Sheet 2 of 2)

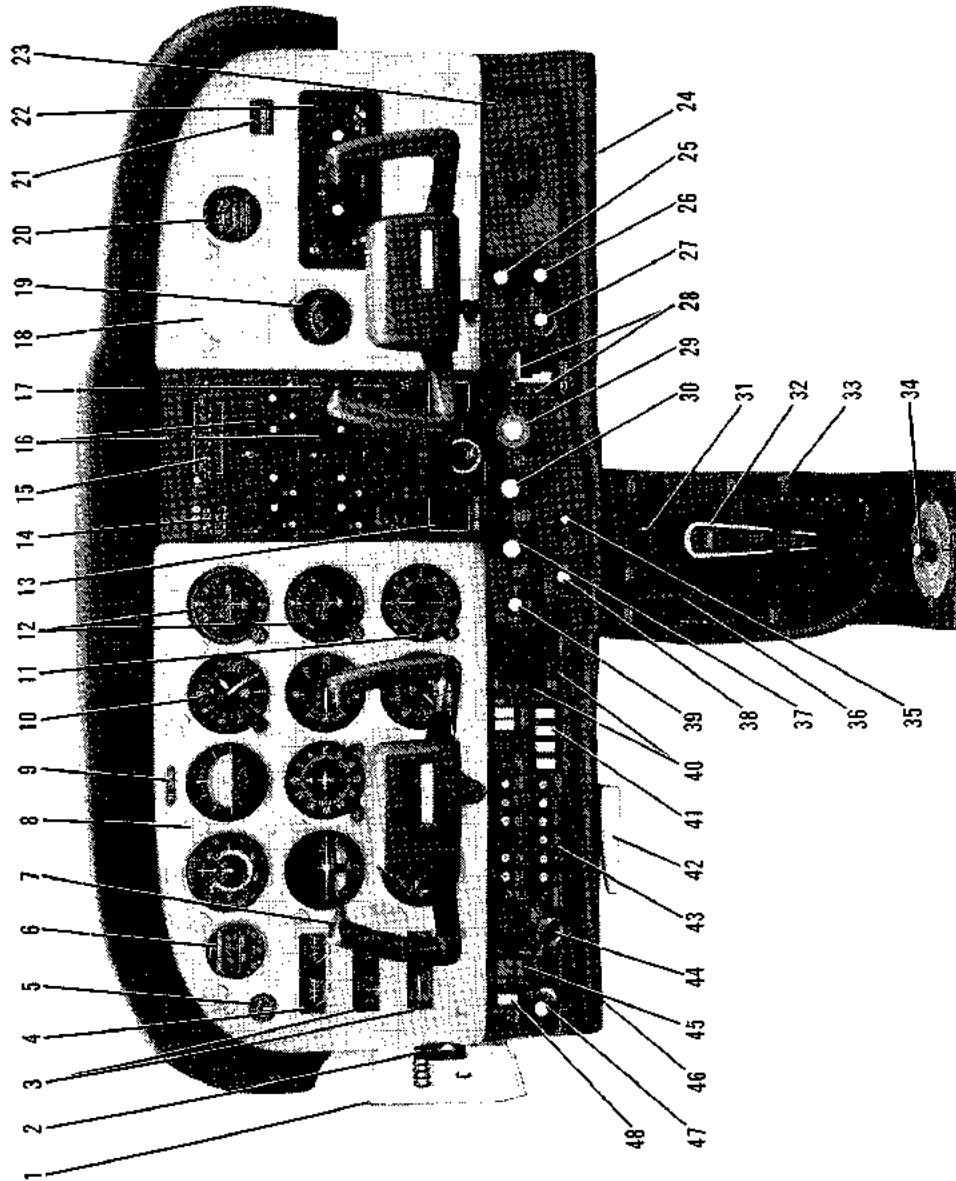


Figure 7-2. Instrument Panel (Sheet 1 of 2)

- |  |   |
|--|---|
| <ol style="list-style-type: none"> <li>1. Sidewall Circuit Breaker Panel</li> <li>2. Avionics Power Switch</li> <li>3. Ammeter, Oil Pressure, Cylinder Head, and Oil Temperature Gages</li> <li>4. Fuel Quantity Indicators</li> <li>5. Suction Gage</li> <li>6. Digital Clock</li> <li>7. Auxiliary Microphone Switch</li> <li>8. Flight Instrument Group</li> <li>9. Airplane Registration Number</li> <li>10. Altimeter</li> <li>11. ADF Bearing Indicator</li> <li>12. Course Deviation and Glide Slope Indicators</li> <li>13. Autopilot Control Unit</li> <li>14. Marker Beacon Indicator Lights and Switches</li> <li>15. Audio Control Panel</li> <li>16. NAV/COM Radios</li> <li>17. Transponder</li> <li>18. Auxiliary Instrument Space</li> <li>19. Economy Mixture Indicator</li> <li>20. Carburetor Air Temperature Gage</li> <li>21. Flight Hour Recorder</li> <li>22. ADF Radio</li> <li>23. Map Compartment</li> <li>24. Phone and Auxiliary Mike Jacks (Front Passenger)</li> <li>25. Cabin Heat Control</li> </ol> | <ol style="list-style-type: none"> <li>26. Cabin Air Control</li> <li>27. Cigar Lighter</li> <li>28. Wing Flap Switch and Position Indicator</li> <li>29. Mixture Control</li> <li>30. Propeller Control</li> <li>31. Rudder Trim Control Wheel and Position Indicator</li> <li>32. Microphone</li> <li>33. Cowl Flap Control Lever</li> <li>34. Fuel Selector Valve Handle</li> <li>35. Static Pressure Alternate Source Valve</li> <li>36. Elevator Trim Control Wheel and Position Indicator</li> <li>37. Throttle (With Friction Lock)</li> <li>38. Instrument and Radio Dial Lights Dimming Rheostats</li> <li>39. Carburetor Heat Control</li> <li>40. Landing Gear Lever and Position Indicator Lights</li> <li>41. Electrical Switches</li> <li>42. Parking Brake Handle</li> <li>43. Circuit Breakers</li> <li>44. Ignition Switch</li> <li>45. Master Switch</li> <li>46. Phone and Auxiliary Mike Jacks (Pilot)</li> <li>47. Primer</li> <li>48. Auxiliary Fuel Pump Switch</li> </ol> |
|--|---|

Figure 7-2. Instrument Panel (Sheet 2 of 2)

the rudder incorporates a leading edge extension which contains a balance weight. The horizontal stabilizer is constructed of a forward and aft spar, ribs and stiffeners, center upper and lower skin panels, left and right upper and lower skins panels, and formed leading edge skins. The horizontal stabilizer also contains the elevator trim tab actuator. Construction of the elevator consists of formed leading edge skins, a forward spar, ribs, torque tube and bellcrank, left upper and lower "V" type corrugated skins, and right upper and lower "V" type corrugated skins incorporating a trailing edge cut-out for the trim tab. The elevator trim tab consists of a spar, rib and upper and lower "V" type corrugated skins. Both elevator tip leading edge extensions incorporate balance weights.

## FLIGHT CONTROLS

The airplane's flight control system (see figure 7-1) consists of conventional aileron, rudder, and elevator control surfaces. The control surfaces are manually operated through mechanical linkage using a control wheel for the ailerons and elevator, and rudder/brake pedals for the rudder.

Extensions are available for the rudder/brake pedals. They consist of a rudder pedal face, two spacers and two spring clips. To install an extension, place the clip on the bottom of the extension under the bottom of the rudder pedal and snap the top clip over the top of the rudder pedal. Check that the extension is firmly in place. To remove the extensions, reverse the above procedures.

## TRIM SYSTEMS

Manually-operated rudder and elevator trim is provided (see figure 7-1). Rudder trimming is accomplished through a bungee connected to the rudder control system and a trim control wheel mounted on the control pedestal. Rudder trimming is accomplished by rotating the horizontally mounted trim control wheel either left or right to the desired trim position. Rotating the trim wheel to the right will trim nose-right; conversely, rotating it to the left will trim nose-left. Elevator trimming is accomplished through the elevator trim tab by utilizing the vertically mounted trim control wheel. Forward rotation of the trim wheel will trim nose-down; conversely, aft rotation will trim nose-up.

## INSTRUMENT PANEL

The instrument panel (see figure 7-2) is designed around the basic "T"

configuration. The gyros are located immediately in front of the pilot, and arranged vertically. The airspeed indicator and altimeter are located to the left and right of the gyros, respectively. The remaining flight instruments are located around the basic "T". The suction gage, clock, fuel quantity indicators, ammeter, oil pressure gage, oil temperature gage, cylinder head temperature gage and low-voltage warning light are located to the left of the flight instruments. Avionics equipment is stacked approximately on the centerline of the panel, with the right side of the panel containing the economy mixture indicator (EGT), flight hour recorder, and space for additional instruments and avionics equipment. A switch and control panel, at the lower edge of the instrument panel, contains most of the controls, switches, and circuit breakers necessary to operate the airplane. The left side of the panel contains the auxiliary fuel pump switch, engine primer, master switch, ignition switch, general circuit breakers, electrical switches, landing gear indicator lights and landing gear lever. The center area contains the static pressure alternate source valve, and the carburetor heat, light intensity, throttle, propeller, and mixture controls. The right side of the switch and control panel contains the wing flap switch and position indicator, cabin heat and cabin air controls, cigar lighter, and map compartment. A pedestal extending from the switch and control panel to the floorboard, contains the elevator and rudder trim control wheels, cowl flap control lever, and microphone bracket. The fuel selector valve handle is located at the base of the pedestal. A parking brake handle is mounted below the switch and control panel in front of the pilot. The avionics power switch and avionics circuit breakers are mounted on a small circuit breaker panel located adjacent to the pilot on the left cabin sidewall.

For details concerning the instruments, switches, circuit breakers, and controls on this panel, refer in this section to the description of the systems to which these items are related.

## GROUND CONTROL

Effective ground control while taxiing is accomplished through nose wheel steering by using the rudder pedals; left rudder pedal to steer left and right rudder pedal to steer right. When a rudder pedal is depressed, a spring-loaded steering bungee (which is connected to the nose gear and to the rudder bars) will turn the nose wheel through an arc of approximately 15° each side of center. By applying either left or right brake, the degree of turn may be increased up to 30° each side of center.

Moving the airplane by hand is most easily accomplished by attaching a tow bar to the nose gear strut. If a tow bar is not available, or pushing is required, use the wing struts as push points. Do not use the vertical or



horizontal surfaces to move the airplane. If the airplane is to be towed by vehicle, never turn the nose wheel more than 30° either side of center or structural damage to the nose gear could result.

The minimum turning radius of the airplane, using differential braking and nose wheel steering during taxi, is approximately 27 feet. To obtain a minimum radius turn during ground handling, the airplane may be rotated around either main landing gear by pressing down on a tailcone bulkhead just forward of the horizontal stabilizer to raise the nose wheel off the ground.

## WING FLAP SYSTEM

The single-slot type wing flaps (see figure 7-3) are extended or retracted by positioning the wing flap switch lever on the right side of the switch and control panel to the desired flap deflection position. The switch lever is moved up or down in a slotted panel that provides mechanical stops at the 10° and 20° positions. For flap settings greater than 10°, move the switch lever to the right to clear the stop and position it as desired. A scale and pointer on the left side of the switch lever indicates flap travel in degrees. The wing flap system circuit is protected by a 15-amp push-to-reset circuit breaker, labeled FLAP, on the left side of the switch and control panel.

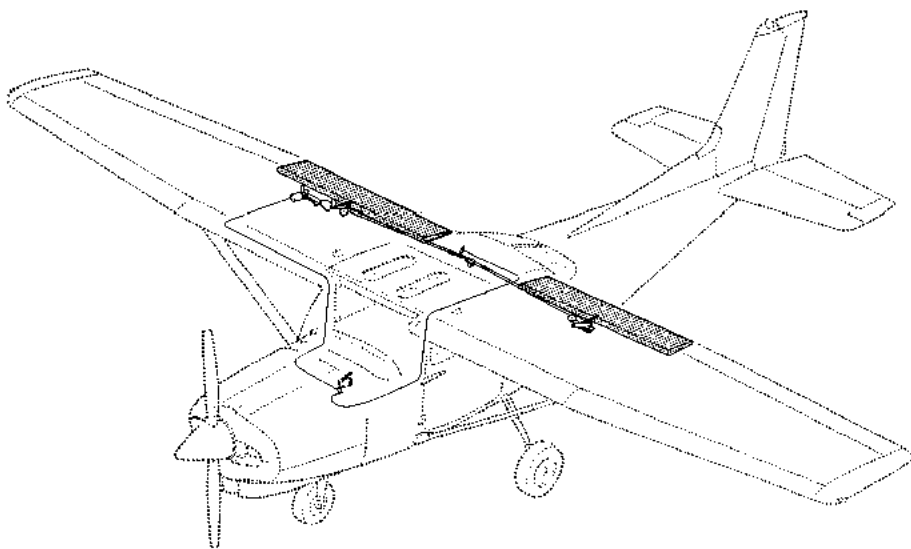


Figure 7-3. Wing Flap System

A gear warning interconnect switch is incorporated in the flap system, and sounds a warning horn when the flaps are extended beyond 20° with the landing gear retracted.

## LANDING GEAR SYSTEM

The landing gear is a retractable, tricycle type with a steerable nose wheel and two main wheels. Shock absorption is provided by the tubular spring-steel main landing gear struts and the air/oil nose gear shock strut. Each main gear wheel is equipped with a hydraulically actuated single-disc brake on the inboard side of each wheel.

The landing gear extension, retraction, and main gear down lock release operation is accomplished by hydraulic actuators powered by an electrically-driven hydraulic power pack (see figure 7-7). The power pack is located aft of the firewall between the pilot's and copilot's rudder pedals. The hydraulic system fluid level may be checked by utilizing the dipstick/filler cap located on the top left side of the power pack adjacent to the motor mounting flange. The system should be checked at 25-hour intervals. If the fluid level is at or below the ADD line on the dipstick, hydraulic fluid (MIL-H-5606) should be added to bring the level to the top of the dipstick/filler cap opening. A normal operating pressure of 1000 PSI to 1500 PSI is automatically maintained in the landing gear system, and is sufficient to provide a positive up pressure on the landing gear. The nose gear and main gear incorporate positive mechanical down locks. Also, the nose gear has mechanically-actuated wheel well doors. The doors open when the nose gear extends, and close when it retracts.

Power pack operation is started and stopped by a pressure switch, and hydraulic pressure is directed by the landing gear lever. Two position indicator lights are provided to show landing gear position. The landing gear system is also equipped with a nose gear safety (squat) switch, an emergency extension hand pump, and a gear-up warning system.

## LANDING GEAR LEVER

The landing gear lever is located on the switch and control panel to the right of the electrical switches. The lever has two positions, labeled GEAR UP and GEAR DOWN, which give a mechanical indication of the gear position selected. From either position, the lever must be pulled out to clear a detent before it can be repositioned; operation of the landing gear system will not begin until the lever has been repositioned. After the lever

has been repositioned, it directs hydraulic pressure within the system to actuate the gear to the selected position.

### LANDING GEAR POSITION INDICATOR LIGHTS

Two position indicator lights, adjacent to the landing gear control lever, indicate that the gear is either up or down and locked. Both the gear-up (amber) and gear-down (green) lights are the press-to-test type, incorporating dimming shutters for night operation. If an indicator light bulb should burn out, it can be replaced in flight with the bulb from the remaining indicator light.

### LANDING GEAR OPERATION

To retract or extend the landing gear, pull out on the gear lever and move it to the desired position. After the lever is positioned, the power pack will create pressure in the system and actuate the landing gear to the selected position. During a normal cycle, the gear retracts fully or extends and locks, limit switches close (GEAR DOWN cycle only), and the indicator light comes on (amber for up and green for down) indicating completion of the cycle. After indicator light illumination, during a GEAR DOWN cycle, the power pack will continue to run until the fluid pressure reaches 1500 PSI, opens the pressure switch, and turns the power pack off. Whenever fluid pressure in the system drops below 1000 PSI, the pressure switch will close and start power pack operation, except when the nose gear safety (squat) switch is open.

The safety (squat) switch, actuated by the nose gear, electrically prevents inadvertent retraction whenever the nose gear strut is compressed by the weight of the airplane. When the nose gear is lifted off the runway during takeoff, the squat switch will close, which may cause the power pack to operate for 1 to 2 seconds and return system pressure to 1500 PSI in the event pressure has dropped below 1000 PSI. A "pull-off" type circuit breaker is also provided in the system as a maintenance safety feature. With the circuit breaker pulled out, landing gear operation by the gear pump motor is prevented. After maintenance is completed, and prior to flight, the circuit breaker should be pushed back in.

### EMERGENCY HAND PUMP

A hand-operated hydraulic pump, located between the front seats, is provided for manual extension of the landing gear in the event of a hydraulic system failure. The landing gear cannot be retracted with the hand pump. To utilize the pump, extend the handle forward, and pump vertically. For complete emergency procedures, refer to Section 3.

### LANDING GEAR WARNING SYSTEM

The airplane is equipped with a landing gear warning system designed to help prevent the pilot from inadvertently making a wheels-up landing. The system consists of a throttle actuated switch which is electrically connected to a dual warning unit. The warning unit is connected to the airplane speaker.

When the throttle is retarded below approximately 12 inches of manifold pressure at low altitude (master switch on), the throttle linkage will actuate a switch which is electrically connected to the gear warning portion of a dual warning unit. If the landing gear is retracted (or not down and locked), an intermittent tone will be heard on the airplane speaker. An interconnect switch in the wing flap system also sounds the horn when the wing flaps are extended beyond 20° with the landing gear retracted.

### BAGGAGE COMPARTMENT

The baggage compartment consists of the area from the back of the rear passenger seats to the aft cabin bulkhead. A baggage shelf, above the wheel well, extends aft from the aft cabin bulkhead. Access to the baggage compartment and the shelf is gained through a lockable baggage door on the left side of the airplane, or from within the airplane cabin. A baggage net with six tie-down straps is provided for securing baggage, and is attached by tying the straps to tie-down rings provided in the airplane. For further information on baggage tie-down, refer to Section 6. When loading the airplane, children should not be placed or permitted in the baggage compartment, and any material that may be hazardous to the airplane or occupants should not be placed anywhere in the airplane. For baggage area and door dimensions, refer to Section 6.

### SEATS

The seating arrangement consists of two individually adjustable four-way or six-way seats for the pilot and front seat passenger, and a split-backed fixed seat for the rear seat passengers.

The four-way seats may be moved forward or aft, and the seat back angle adjusted to any comfortable angle. To position either seat, lift the tubular handle under the center of the seat, slide the seat into position, release the handle, and check that the seat is locked in place. The seat back angle is controlled by a cylinder lock release button which is spring-loaded to the locked position. The release button is located on the right side.

below the forward corner of the seat cushion. To adjust the angle of the seat back, push up on the release button, position the seat back to the desired angle and release the button. When the seat is not occupied, the seat back will automatically fold forward whenever the release button is pushed up.

The six-way seats may be moved forward or aft, and are infinitely adjustable for height and seat back angle. To position the seat, lift the tubular handle under the center of the seat bottom, slide the seat into position, release the handle, and check that the seat is locked in place. Raise or lower the seat by rotating the large crank under the inboard corner of either seat. The seat back is adjusted by rotating the small crank under the outboard corner of either seat. The seat bottom angle will change as the seat back angle changes, providing proper support. The seat backs will also fold full forward.

The rear passengers' seat consists of a fixed one-piece seat bottom with individually adjustable seat backs. The seat backs are adjusted by cylinder lock release buttons, recessed into skirts located below the seat frame at the outboard ends of the seat. To adjust a seat back, push up on the adjacent cylinder lock release button, which is spring-loaded to the locked position, recline the seat back to the desired position and release the button. When the seat is not occupied, the seat backs will automatically fold forward whenever the cylinder lock release button is pushed up.

Headrests are available for any of the seat configurations. To adjust the headrest, apply enough pressure to it to raise or lower it to the desired level. The headrest may be removed at any time by raising it until it disengages from the top of the seat back.

## SEAT BELTS AND SHOULDER HARNESSSES

All seat positions are equipped with seat belts (see figure 7-4). The pilot's and front passenger's seats are also equipped with separate shoulder harnesses; separate shoulder harnesses are also available for the rear seat positions. Integrated seat belt/shoulder harnesses with inertia reels can be furnished for the pilot's and front passenger's seat positions if desired.

### SEAT BELTS

The seat belts used with the pilot's and front passenger's seats, are attached to fittings on the floorboard. The buckle half is inboard of each seat and the link half is outboard of each seat. The belts for the rear seat are attached to floorboard fittings and to the seat frame, with the link halves on the left and right sides of the seat bottom, and the buckles at the center of the seat bottom.

To use the seat belts for the front seats, position the seat as desired, and then lengthen the link half of the belt as needed by grasping the sides of the link and pulling against the belt. Insert and lock the belt link into the buckle. Tighten the belt to a snug fit. Seat belts for the rear seat are used in the same manner as the belts for the front seats. To release the seat belts, grasp the top of the buckle opposite the link and pull upward.

### SHOULDER HARNESSSES

Each front seat shoulder harness is attached to a rear doorpost above the window line and is stowed behind a stowage sheath above the cabin door. To stow the harness, fold it and place it behind the sheath. When rear seat shoulder harnesses are furnished, they are attached adjacent to the lower corners of the aft side windows. Each rear seat harness is stowed behind a stowage sheath above an aft side window.

To use a front or rear seat shoulder harness, fasten and adjust the seat belt first. Lengthen the harness as required by pulling on the connecting link on the end of the harness and the narrow release strap. Snap the connecting link firmly onto the retaining stud on the seat belt link half. Then adjust to length. A properly adjusted harness will permit the occupant to lean forward enough to sit completely erect, but prevent excessive forward movement and contact with objects during sudden deceleration. Also, the pilot will want the freedom to reach all controls easily.

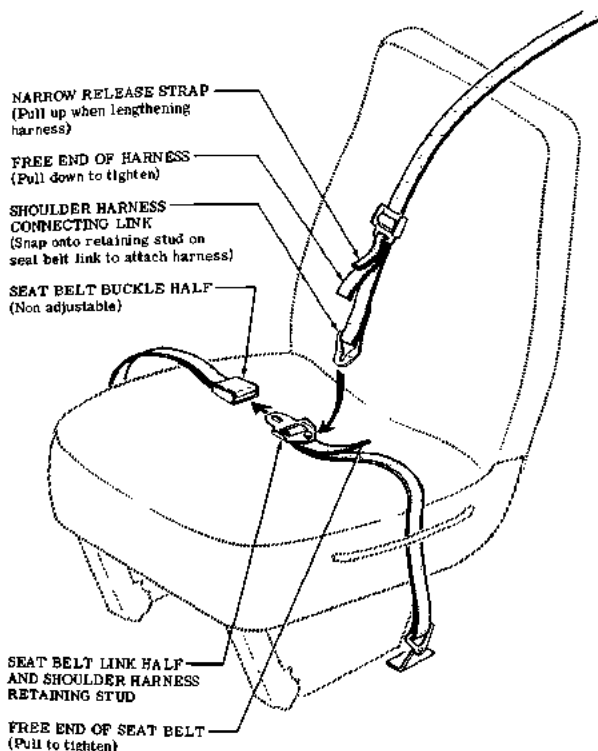
Removing the shoulder harness is accomplished by pulling upward on the narrow release strap, and removing the harness connecting link from the stud on the seat belt link. In an emergency, the shoulder harness may be removed by releasing the seat belt first and allowing the harness, still attached to the link half of the seat belt, to drop to the side of the seat.

### INTEGRATED SEAT BELT/SHOULDER HARNESSSES WITH INERTIA REELS

Integrated seat belt/shoulder harnesses with inertia reels are available for the pilot and front seat passenger. The seat belt/shoulder harnesses extend from inertia reels located in the cabin top structure, through slots in the overhead console marked PILOT and COPILOT, to attach points inboard of the two front seats. A separate seat belt half and buckle is located outboard of the seats. Inertia reels allow complete freedom of body movement. However, in the event of a sudden deceleration, they will lock automatically to protect the occupants.

To use the seat belt/shoulder harness, position the adjustable metal link on the harness at about shoulder level, pull the link and harness

STANDARD SHOULDER  
HARNESS



(PILOT'S SEAT SHOWN)

SEAT BELT/SHOULDER  
HARNESS WITH INERTIA  
REEL

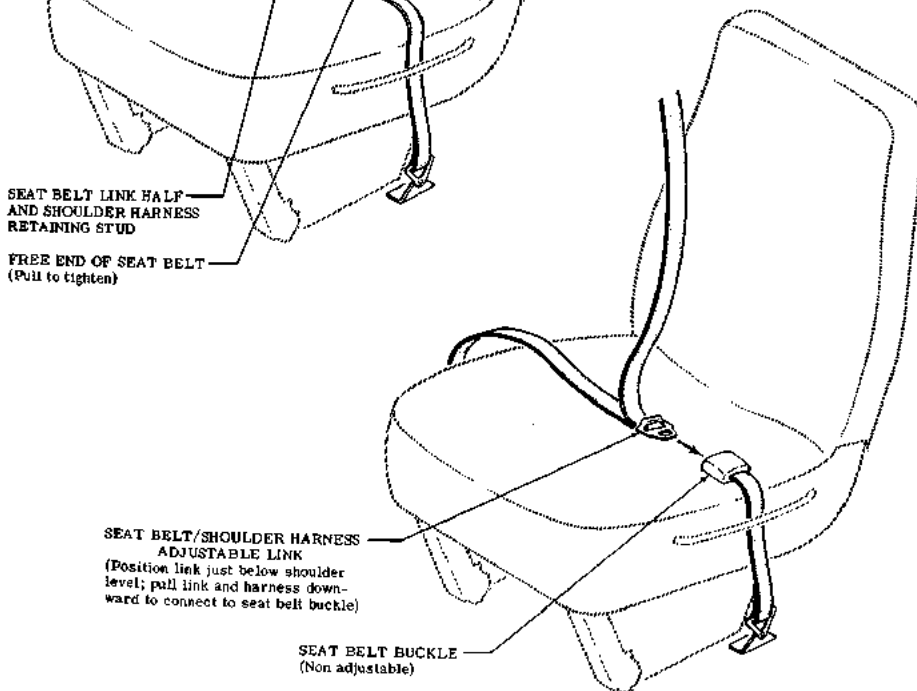


Figure 7-4. Seat Belts and Shoulder Harnesses

downward, and insert the link in the seat belt buckle. Adjust belt tension across the lap by pulling upward on the shoulder harness. Removal is accomplished by releasing the seat belt buckle, which will allow the inertia reel to pull the harness inboard of the seat.

## ENTRANCE DOORS AND CABIN WINDOWS

Entry to, and exit from the airplane is accomplished through either of two entry doors, one on each side of the cabin at the front seat positions (refer to Section 6 for cabin and cabin door dimensions). The doors incorporate a recessed exterior door handle, a conventional interior door handle, a key-operated door lock (left door only), a door stop mechanism, and an openable window in the left door. An openable right door window is also available.

To open the doors from outside the airplane, utilize the recessed door handle near the aft edge of either door by grasping the forward edge of the handle and pulling outboard. To close or open the doors from inside the airplane, use the combination door handle and arm rest. The inside door handle has three positions and a placard at its base which reads OPEN, CLOSE, and LOCK. The handle is spring-loaded to the CLOSE (up) position. When the door has been pulled shut and latched, lock it by rotating the door handle forward to the LOCK position (flush with the arm rest). When the handle is rotated to the LOCK position, an over-center action will hold it in that position. Both cabin doors should be locked prior to flight, and should not be opened intentionally during flight.

### NOTE

Accidental opening of a cabin door in flight due to improper closing does not constitute a need to land the airplane. The best procedure is to set up the airplane in a trimmed condition at approximately 80 KIAS, open a window, momentarily shove the door outward slightly, and forcefully close and lock the door.

Exit from the airplane is accomplished by rotating the door handle from the LOCK position, past the CLOSE position, aft to the OPEN position and pushing the door open. To lock the airplane, lock the right cabin door with the inside handle, close the left cabin door, and using the ignition key, lock the door.

The left cabin door is equipped with an openable window which is held in the closed position by a detent equipped latch on the lower edge of the window frame. To open the window, rotate the latch upward. The window is

equipped with a spring-loaded retaining arm which will help rotate the window outward and hold it there. An openable window is also available for the right door, and functions in the same manner as the left window. If required, either window may be opened at any speed up to 164 KIAS. The cabin top windows (if installed), rear side windows, and rear window are of the fixed type and cannot be opened.

## CONTROL LOCKS

A control lock is provided to lock the aileron and elevator control surfaces to prevent damage to these systems by wind buffeting while the airplane is parked. The lock consists of a shaped steel rod with a red metal flag attached to it. The flag is labeled CONTROL LOCK, REMOVE BEFORE STARTING ENGINE. To install the control lock, align the hole in the top of the pilot's control wheel shaft with the hole in the top of the shaft collar on the instrument panel and insert the rod into the aligned holes. Installation of the lock will secure the ailerons in a neutral position and the elevators in a slightly trailing edge down position. Proper installation of the lock will place the red flag over the ignition switch. In areas where high or gusty winds occur, a control surface lock should be installed over the vertical stabilizer and rudder. The control lock and any other type of locking device should be removed prior to starting the engine.

## ENGINE

The airplane is powered by a horizontally-opposed, four-cylinder, overhead-valve, air-cooled, carbureted engine with a wet sump oil system. The engine is a Lycoming Model O-360-F1A6 and is rated at 180 horsepower at 2700 RPM. Major accessories include a starter, belt-driven alternator, and propeller governor on the front of the engine and dual magnetos, fuel pump, vacuum pump, and full-flow oil filter on the rear of the engine.

## ENGINE CONTROLS

Engine manifold pressure is controlled by a throttle located on the center area of the switch and control panel. The throttle operates in a conventional manner; in the full forward position, the throttle is open, and in the full aft position, it is closed. A friction lock, which is a round knurled disk, is located at the base of the throttle and is operated by rotating the lock clockwise to increase friction or counterclockwise to decrease it.

The mixture control, mounted near the propeller control, is a red knob with raised points around the circumference and is equipped with a lock

button in the end of the knob. The rich position is full forward, and full aft is the idle cut-off position. For small adjustments, the control may be moved forward by rotating the knob clockwise, and aft by rotating the knob counterclockwise. For rapid or large adjustments, the knob may be moved forward or aft by depressing the lock button in the end of the control, and then positioning the control as desired.

## ENGINE INSTRUMENTS

Engine operation is monitored by the following instruments: oil pressure gage, oil temperature gage, cylinder head temperature gage, tachometer, manifold pressure gage and fuel pressure gage. An economy mixture (EGT) indicator and carburetor air temperature gage are also available.

The oil pressure gage, located on the left side of the instrument panel, is operated by oil pressure. A direct pressure oil line from the engine delivers oil at engine operating pressure to the oil pressure gage. Gage markings indicate that minimum idling pressure is \*25 PSI (red line), the normal operating range is \*60 to 90 PSI (green arc), and maximum pressure is 115 PSI (red line).

Oil temperature is indicated by a gage below the oil pressure gage. The gage is operated by an electrical resistance type temperature sensor which receives power from the airplane electrical system. Gage markings indicate the normal operating range (green arc) which is 100°F (38°C) to 245°F (118°C), and the maximum (red line) which is 245°F (118°C).

The cylinder head temperature gage, adjacent to the oil temperature gage, is operated by an electrical-resistance type temperature sensor on the engine which receives power from the airplane electrical system. Gage markings indicate the normal operating range (green arc) which is 200°F (93°C) to 500°F (260°C) and the maximum (red line) which is 500°F (260°C).

The engine-driven mechanical tachometer is located on the lower right side of the pilot's control column. The instrument is calibrated in increments of 100 RPM and indicates both engine and propeller speed. An hour meter below the center of the tachometer dial records elapsed engine time in hours and tenths. Instrument markings include a normal operating range (multiple width green arc) of 2100 to 2700 RPM, and a maximum (red line) of 2700 RPM.

The manifold pressure gage is the left half of a dual-indicating instrument located on the lower left side of the pilot's control column. The gage is direct reading and indicates induction air manifold pressure in inches of mercury. It has a normal operating range (green arc) of 15 to 25

\* 20 psi (red line) and 50 to 90 psi (green arc) on airplanes modified by Service Kit SK172-85.

inches of mercury.

The fuel pressure gage is the right half of this dual-indicating instrument located on the lower left side of the pilot's control column. The gage indicates fuel pressure to the carburetor. Gage markings indicate that minimum pressure is 0.5 PSI (red line), normal operating range is 0.5 to 8 PSI (green arc), and maximum pressure is 8 PSI (red line).

An economy mixture (EGT) indicator is available for the airplane and is located on the right side of the instrument panel. A thermocouple probe in the right exhaust stack assembly measures exhaust gas temperature and transmits it to the indicator. The indicator serves as a visual aid to the pilot in adjusting the mixture during climb or cruise as described in Section 4. Exhaust gas temperature varies with fuel-to-air ratio, power, and RPM. However, the difference between the peak EGT and the EGT at the desired mixture setting is essentially constant and this provides a useful leaning aid. The indicator is equipped with a manually positioned reference pointer which is especially useful for leaning during climb.

A carburetor air temperature gage is available for the airplane. Details of this gage are presented in Section 9, Supplements.

## NEW ENGINE BREAK-IN AND OPERATION

The engine underwent a run-in at the factory and is ready for the full range of use. It is, however, suggested that cruising be accomplished at a minimum of 75% power until a total of 25 hours has accumulated or oil consumption has stabilized. This will ensure proper seating of the rings.

## ENGINE OIL SYSTEM

Oil for engine lubrication and propeller governor operation is supplied from a sump on the bottom of the engine. The capacity of the engine sump is 8 quarts (one additional quart is required for the full flow oil filter). Oil is drawn from the sump through an oil suction strainer screen into the engine-driven oil pump. From the pump, oil is routed to a bypass valve. If the oil is cold, the bypass valve allows the oil to bypass the oil cooler and go directly from the pump to the full flow oil filter. If the oil is hot, the bypass valve routes the oil out of the accessory housing and into a flexible hose leading to the oil cooler on the upper right side of the engine. Pressure oil from the cooler returns to the accessory housing where it passes through the oil filter. The filtered oil then enters a pressure relief valve which regulates engine oil pressure by allowing excessive oil to return to the sump while the balance of the oil is circulated to various engine parts for lubrication. Residual oil is returned to the sump by gravity flow.

An oil filler cap/oil dipstick is located at the rear of the engine on the

right side. The filler cap/dipstick is accessible through an access door in the engine cowling. The engine should not be operated on less than five quarts of oil. To minimize loss of oil through the breather, fill to seven quarts for normal flights of less than three hours. For extended flight, fill to eight quarts (dipstick indication only). For engine oil grade and specifications, refer to Section 8 of this handbook.

An oil quick-drain valve is installed on the bottom of the oil sump, to provide a quick, clean method of draining the engine oil. To drain the oil, slip a hose over the end of the valve and push upward on the end of the valve until it snaps into the open position. Spring clips will hold the valve open. After draining, use a suitable tool to snap the valve into the extended (closed) position and remove the drain hose.

## IGNITION-STARTER SYSTEM

Engine ignition is provided by two engine-driven magnetos, and two spark plugs in each cylinder. The right magneto fires the lower right and upper left spark plugs, and the left magneto fires the lower left and upper right spark plugs. Normal operation is conducted with both magnetos due to the more complete burning of the fuel-air mixture with dual ignition.

Ignition and starter operation is controlled by a rotary type switch located on the left switch and control panel. The switch is labeled clockwise, OFF, R, L, BOTH, and START. The engine should be operated on both magnetos (BOTH position) except for magneto checks. The R and L positions are for checking purposes and emergency use only. When the switch is rotated to the spring-loaded START position (with the master switch in the ON position), the starter contactor is energized and the starter will crank the engine. When the switch is released, it will automatically return to the BOTH position.

## AIR INDUCTION SYSTEM

Ram air for the engine induction system is received through the left opening in the nose cap. An induction system air scoop is located in the aft vertical baffle just behind the engine on the left side. This scoop is covered by an air filter which removes dust and other foreign matter from the

induction air. After passing through the filter, the induction air enters an airbox which is mounted on the carburetor inlet. From the airbox, the air enters the carburetor and is ducted to the engine cylinders through intake manifold tubes. In the event carburetor ice is encountered or the intake filter becomes blocked, alternate heated air can be obtained from a shroud around number four cylinder exhaust riser. This heated air is ducted to the airbox and passes through a valve controlled by the carburetor heat control on the instrument panel. Heated air from the shroud is obtained from unfiltered air inside the cowling. Use of full carburetor heat at full throttle will result in a loss of approximately one inch of manifold pressure.

## EXHAUST SYSTEM

Exhaust gas from each cylinder passes through riser assemblies to a muffler and tailpipe. The muffler is constructed with a shroud around the outside which forms a heating chamber for cabin heater air.

## CARBURETOR AND PRIMING SYSTEM

The engine is equipped with a horizontally-mounted, side-draft, float-type, fixed jet carburetor mounted below the engine adjacent to the firewall. The carburetor is equipped with an enclosed accelerator pump, an idle cut-off mechanism, and a manual mixture control. Fuel is delivered from the fuel system to the carburetor by gravity flow, the engine-driven fuel pump, and/or auxiliary fuel pump. In the carburetor, fuel is atomized, proportionally mixed with intake air, and delivered to the cylinders through intake manifold tubes. The proportion of atomized fuel to air may be controlled, within limits, by the mixture control located on the center area of the switch and control panel.

For easy starting in cold weather, the engine is equipped with a 3-cylinder manual primer. The primer is actually a small pump which draws fuel from the fuel strainer when the plunger knob is pulled out, and injects it into the engine intake ports when the knob is pushed back in. The plunger knob is equipped with a lock and, after being pushed full in, must be rotated either left or right until the knob cannot be pulled out.

## COOLING SYSTEM

Ram air for engine cooling enters through two intake openings in the front of the engine cowling. The cooling air is directed around the cylinders and other areas of the engine by baffling, and is then exhausted through cowl flaps on the lower aft edge of the cowling. The cowl flaps are mechanically operated from the cabin by means of a cowl flap lever on the right side of the control pedestal. The pedestal is labeled OPEN, COWL FLAPS, CLOSED. Before starting the engine, and throughout takeoff and

high power climb operation, the cowl flap lever should be placed in the OPEN position for maximum cooling. This is accomplished by moving the lever to the right to clear a detent, then moving the lever up to the OPEN position. Anytime the lever is repositioned, it must first be moved to the right. While in cruise flight, cowl flaps should be adjusted to keep the cylinder head temperature at approximately two-thirds of the normal operating range (green arc). During extended let-downs, the cowl flaps should be completely closed by pushing the cowl flap lever down to the CLOSED position.

A winterization kit is available for the airplane. Details of this kit are presented in Section 9, Supplements.

## PROPELLER

The airplane has an all-metal, two-bladed, constant-speed, governor-regulated propeller. A setting introduced into the governor with the propeller control establishes the propeller speed, and thus the engine speed to be maintained. The governor then controls flow of engine oil, boosted to high pressure by the governing pump, to or from a piston in the propeller hub. Oil pressure acting on the piston twists the blades toward high pitch (low RPM). When oil pressure to the piston in the propeller hub is relieved, centrifugal force, assisted by an internal spring, twists the blades toward low pitch (high RPM).

A control knob on the center area of the switch and control panel is used to set the propeller and control engine RPM as desired for various flight conditions. The knob is labeled PROP RPM, PUSH INCR. When the control knob is pushed in, blade pitch will decrease, giving a higher RPM. When the control knob is pulled out, the blade pitch increases, thereby decreasing RPM. The propeller control knob is equipped with a vernier feature which allows slow or fine RPM adjustments by rotating the knob clockwise to increase RPM, and counterclockwise to decrease it. To make rapid or large adjustments, depress the button on the end of the control knob and reposition the control as desired.

## FUEL SYSTEM

The airplane fuel system (see figure 7-5) consists of two vented integral fuel tanks (one in each wing), a four-position selector valve, fuel strainer, manual primer, engine-driven fuel pump, electric auxiliary fuel pump and carburetor. Refer to figure 7-6 for fuel quantity data for the system.

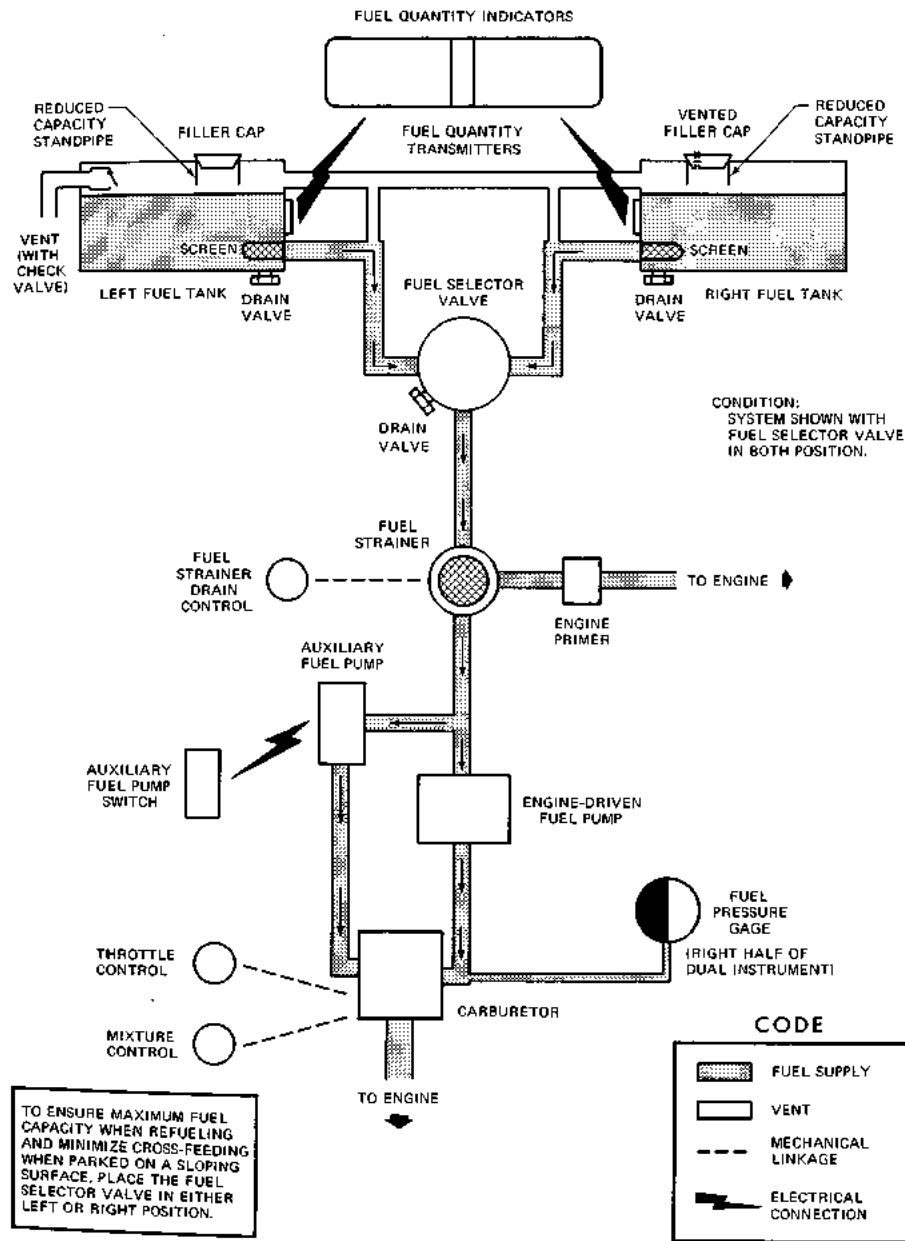


Figure 7-5. Fuel System

Fuel flows by gravity from the two integral wing tanks to a four-position selector valve, labeled BOTH, RIGHT, LEFT, and OFF. With the selector valve in either the BOTH, RIGHT, or LEFT position, fuel flows through a strainer to the engine-driven fuel pump, and from the pump to the carburetor. When the auxiliary fuel pump is operating, it draws fuel from a tee located between the strainer and the engine-driven fuel pump, and delivers it to the carburetor. From the carburetor, mixed fuel and air flows to the cylinders through intake manifold tubes. The manual primer draws its fuel from the fuel strainer and injects it into the engine intake ports.

The airplane may be serviced to a reduced fuel capacity to permit heavier cabin loadings by filling each fuel tank to the bottom edge of the fuel filler collar, thus giving a reduced fuel load of 24.0 gallons in each tank (22 gallons usable in all flight conditions).

Fuel system venting is essential to system operation. Blockage of the system will result in decreasing fuel flow and eventual engine stoppage. Venting is accomplished by an interconnecting line from the right fuel tank to the left tank. The left fuel tank is vented overboard through a vent line, equipped with a check valve, which protrudes from the bottom surface of the left wing near the wing strut. The right fuel tank filler cap is also vented.

Fuel quantity is measured by two float-type fuel quantity transmitters (one in each tank) and indicated by two electrically-operated fuel quantity indicators on the left side of the instrument panel. The fuel quantity indicators are calibrated in gallons (lower scale) and pounds (upper scale). An empty tank is indicated by a red line and the letter E. When an indicator shows an empty tank, approximately 2 gallons remain in a tank as unusable fuel. The indicators cannot be relied upon for accurate readings during skids, slips, or unusual attitudes. If both indicator pointers should rapidly move to a zero reading, check the cylinder head temperature gage for operation. If these gages are not indicating, an electrical malfunction has occurred.

The auxiliary fuel pump switch is located on the left side of the switch and control panel and is a rocker-type switch. It is labeled AUX FUEL PUMP. When the pump is operating, it will maintain fuel pressure to the carburetor. It should be used whenever the indicated fuel pressure falls below 0.5 PSI, but is not required when gravity flow and/or the engine-driven fuel pump can maintain indicated pressures above 0.5 PSI.

The fuel selector valve should be in the BOTH position for takeoff, climb, descent, landing, and maneuvers that involve prolonged slips or skids. Operation from either LEFT or RIGHT tank is reserved for level cruising flight only.



| FUEL QUANTITY DATA (U.S. GALLONS) |                                    |            |                |  |
|-----------------------------------|------------------------------------|------------|----------------|--|
| FUEL TANKS                        | FUEL LEVEL<br>(QUANTITY EACH TANK) | TOTAL FUEL | TOTAL UNUSABLE | TOTAL USABLE<br>ALL FLIGHT<br>CONDITIONS |
| STANDARD                          | FULL<br>(33)                       | 66         | 4              | 62                                       |
| STANDARD                          | REDUCED<br>(24)                    | 48         | 4              | 44                                       |

Figure 7-6. Fuel Quantity Data

## NOTE

Unusable fuel is at a minimum due to the design of the fuel system. However, with 1/4 tank or less, prolonged uncoordinated flight such as slips or skids can uncover the fuel tank outlets, causing fuel starvation and engine stoppage. Therefore, with low fuel reserves, do not allow the airplane to remain in uncoordinated flight for periods in excess of 30 seconds.

## NOTE

When the fuel selector valve handle is in the BOTH position in cruising flight, unequal fuel flow from each tank may occur if the wings are not maintained exactly level. Resulting wing heaviness can be alleviated gradually by turning the selector valve handle to the tank in the "heavy" wing.

## NOTE

It is not practical to measure the time required to consume all of the fuel in one tank, and, after switching to the opposite tank, expect an equal duration from the remaining fuel. The airspace in both fuel tanks is interconnected by a vent line and, therefore, some sloshing of fuel between tanks can be expected when the tanks are nearly full and the wings are not level.

If a fuel tank quantity is completely exhausted in flight, it is recommended that the fuel selector valve be switched back to the BOTH position for the remainder of the flight. This will allow some fuel from the fuller tank to transfer back through the selector valve to the empty tank while in coordinated flight which in turn will prevent fuel starvation when operating in prolonged slips or skids.

The fuel system is equipped with drain valves to provide a means for the examination of fuel in the system for contamination and grade. The system should be examined before the first flight of every day and after each refueling, by using the sampler cup provided to drain fuel from the wing tank sumps and selector valve, and by utilizing the fuel strainer drain under an access panel on the right side of the engine cowling. The fuel tanks should be filled after each flight to prevent condensation.

## HYDRAULIC SYSTEM

Hydraulic power (see figure 7-7) is supplied by an electrically-driven hydraulic power pack located behind the firewall between the pilot's and copilot's rudder pedals. The power pack's only function is to supply hydraulic power for operation of the retractable landing gear. This is accomplished by applying hydraulic pressure to actuator cylinders which extend or retract the gear. The hydraulic system normally operates at 1000 PSI to 1500 PSI, and is protected by relief valves which prevent high pressure damage to the pump and other components in the system. The electrical portion of the power pack is protected by a 30-amp push-pull type circuit breaker switch, labeled GEAR PUMP, on the left switch and control panel.

The hydraulic power pack is turned on by a pressure switch on the power pack when the landing gear lever is placed in either the GEAR UP or GEAR DOWN position. When the lever is placed in the GEAR UP or GEAR DOWN position, it mechanically rotates a selector valve which applies hydraulic pressure in the direction selected. As soon as the landing gear reaches the selected position, a series of electrical switches will illuminate one of two indicator lights on the instrument panel to show gear position and completion of the cycle. After indicator light illumination, (GEAR DOWN cycle only), hydraulic pressure will continue to build until the power pack pressure switch turns the power pack off.

The hydraulic system includes an emergency hand pump to permit manual extension of the landing gear in the event of hydraulic power pack failure. The hand pump is located on the cabin floor between the front seats.

During normal operations, the landing gear should require from 5 to 7 seconds to fully extend or retract. For malfunctions of the hydraulic and landing gear systems, refer to Section 3 of this handbook.

## BRAKE SYSTEM

The airplane has a single-disc, hydraulically-actuated brake on each main landing gear wheel. Each brake is connected, by a hydraulic line, to a

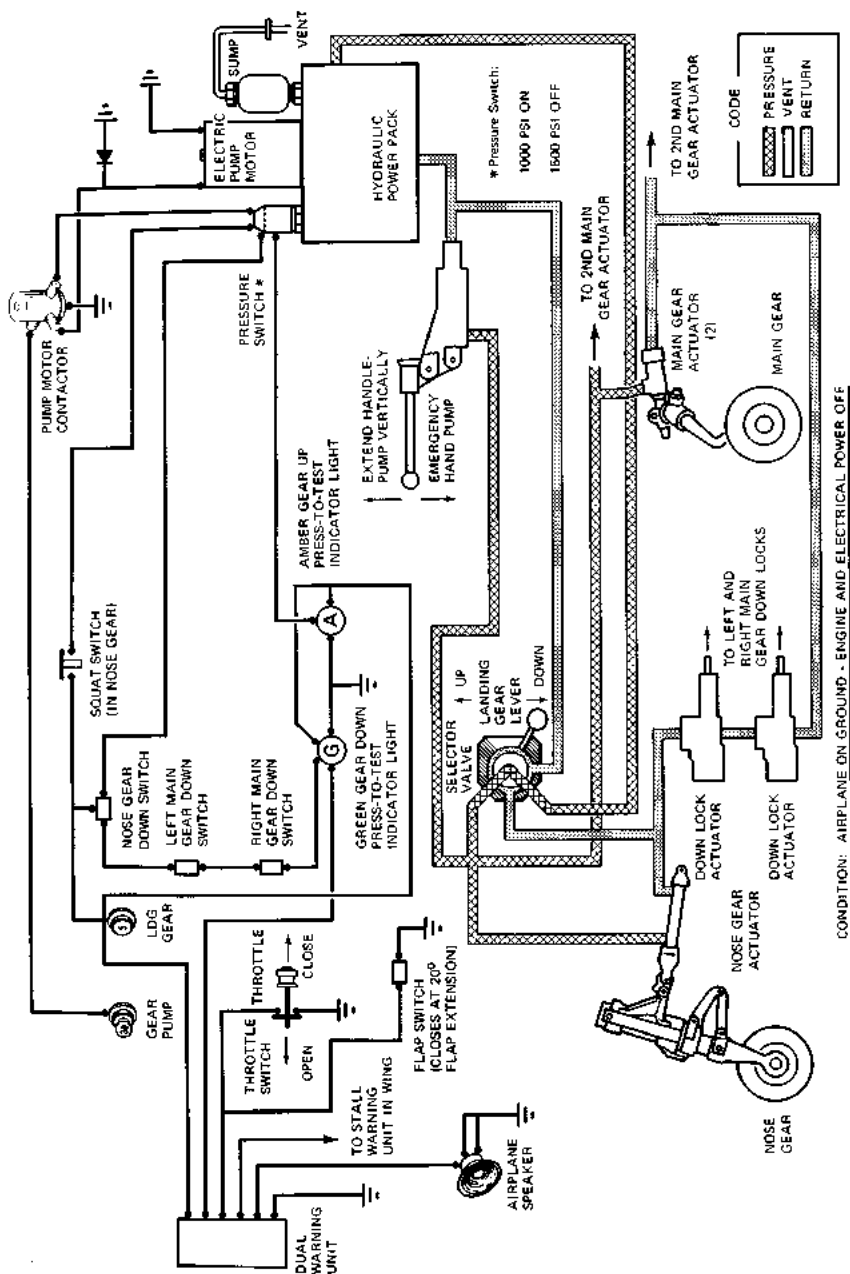


Figure 7-7. Hydraulic System

master cylinder attached to each of the pilot's rudder pedals. The brakes are operated by applying pressure to the top of either the left (pilot's) or right (copilot's) set of rudder pedals, which are interconnected. When the airplane is parked, both main wheel brakes may be set by utilizing the parking brake which is operated by a handle below the left side of the switch and control panel. To apply the parking brake, set the brakes with the rudder pedals, pull the handle aft, and rotate it 90° down.

For maximum brake life, keep the brake system properly maintained, and minimize brake usage during taxi operations and landings.

Some of the symptoms of impending brake failure are: gradual decrease in braking action after brake application, noisy or dragging brakes, soft or spongy pedals, and excessive travel and weak braking action. If any of these symptoms appear, the brake system is in need of immediate attention. If, during taxi or landing roll, braking action decreases, let up on the pedals and then re-apply the brakes with heavy pressure. If the brakes become spongy or pedal travel increases, pumping the pedals should build braking pressure. If one brake becomes weak or fails, use the other brake sparingly while using opposite rudder, as required, to offset the good brake.

## ELECTRICAL SYSTEM

The airplane is equipped with a 28-volt, direct-current electrical system (see figure 7-8). The system uses a battery, located aft of the rear cabin wall, as the source of electrical energy and a belt-driven 60-amp alternator to maintain the battery's state of charge. Power is supplied to most general electrical and all avionics circuits through the primary bus bar and the avionics bus bar, which are interconnected by an avionics power switch. The primary bus bar is on anytime the master switch is turned on, and is not affected by starter or external power usage. Both bus bars are on anytime the master and avionics power switches are on.

### CAUTION

Prior to turning the master switch on or off, starting the engine, or applying an external power source, the avionics power switch, labeled AVN PWR, should be turned off to prevent any harmful transient voltage from damaging the avionics equipment.

### MASTER SWITCH

The master switch is a split-rocker type switch labeled MASTER, and is ON in the up position and off in the down position. The right half of the

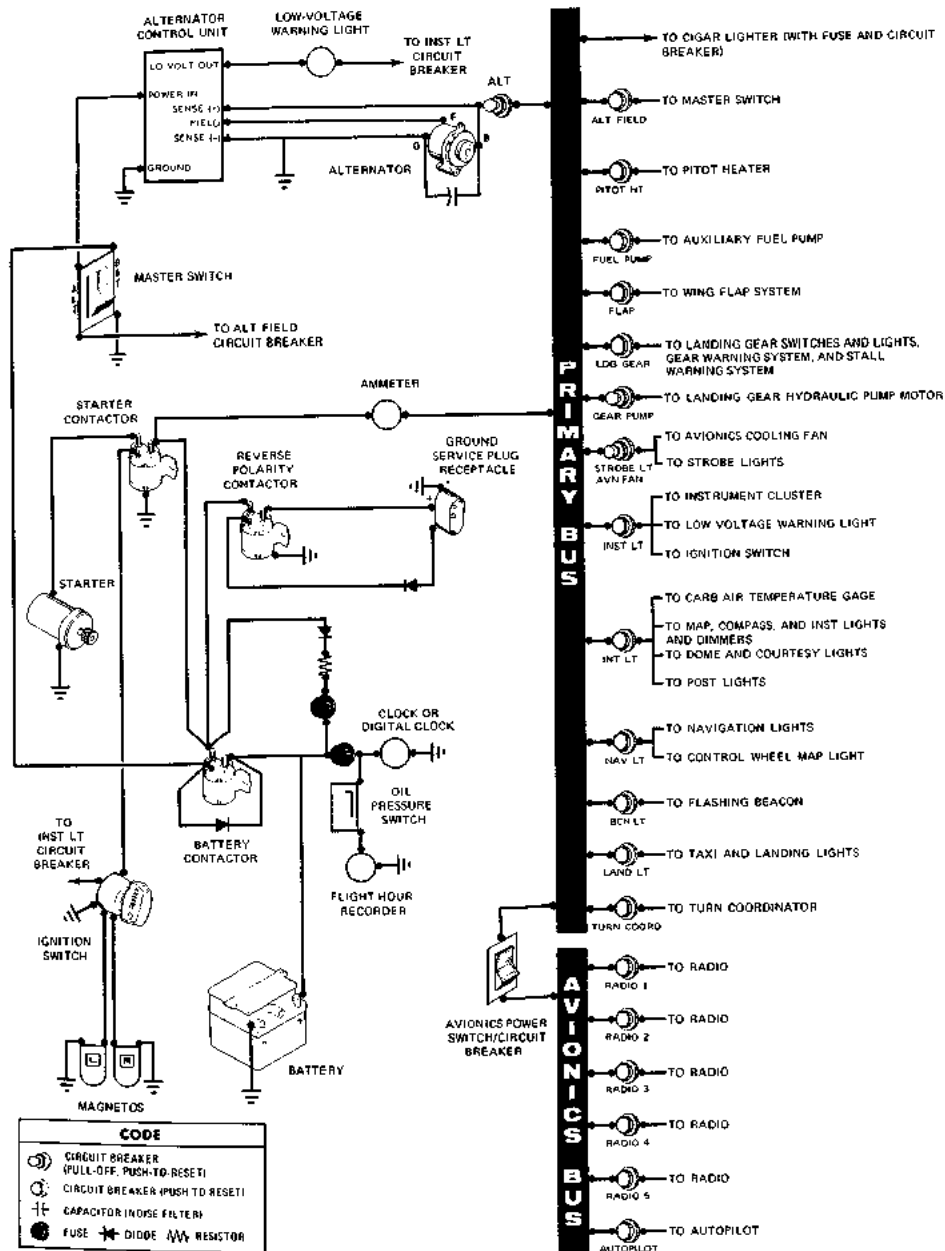


Figure 7-8. Electrical System

switch, labeled BAT, controls all electrical power to the airplane. The left half, labeled ALT, controls the alternator.

Normally, both sides of the master switch should be used simultaneously; however, the BAT side of the switch could be turned ON separately to check equipment while on the ground. To check or use avionics equipment or radios while on the ground, the avionics power switch must be turned ON. The ALT side of the switch, when placed in the off position, removes the alternator from the electrical system. With this switch in the off position, the entire electrical load is placed on the battery. Continued operation with the alternator switch in the off position will reduce battery power low enough to open the battery contactor, remove power from the alternator field, and prevent alternator restart.

### AVIONICS POWER SWITCH

Electrical power from the airplane primary bus to the avionics bus (see figure 7-8) is controlled by a single-rocker switch/circuit breaker labeled AVN PWR. The switch is located on the left sidewall avionics circuit breaker panel and is ON in the up position and OFF in the down position. With the switch in the OFF position, no electrical power will be applied to the avionics equipment, regardless of the position of the master switch or the individual equipment switches. The avionics power switch also functions as a circuit breaker. If an electrical malfunction should occur and cause the circuit breaker to open, electrical power to the avionics equipment will be interrupted and the switch will automatically move to the OFF position. If this occurs, allow the circuit breaker to cool approximately two minutes before placing the switch in the ON position again. If the circuit breaker opens again, do not reset it. The avionics power switch should be placed in the OFF position prior to turning the master switch ON or off, starting the engine, or applying an external power source, and may be utilized in place of the individual avionics equipment switches.

### AMMETER

The ammeter, located beneath the fuel gages, indicates the amount of current, in amperes, from the alternator to the battery or from the battery to the airplane electrical system. When the engine is operating and the master switch is turned on, the ammeter indicates the charging rate applied to the battery. In the event the alternator is not functioning or the electrical load exceeds the output of the alternator, the ammeter indicates the battery discharge rate.

### ALTERNATOR CONTROL UNIT AND LOW-VOLTAGE WARNING LIGHT

The airplane is equipped with a combination alternator regulator

high-low voltage control unit mounted on the engine side of the firewall and a red warning light labeled LOW VOLTAGE, on the left side of the instrument panel adjacent to the manifold pressure gage.

In the event an over-voltage condition occurs, the alternator control unit automatically removes alternator field current which shuts down the alternator. The battery will then supply system current as shown by a discharge rate on the ammeter. Under these conditions, depending on electrical system load, the low-voltage warning light will illuminate when system voltage drops below normal. The alternator control unit may be reset by turning the master switch off and back on again. If the warning light does not illuminate, normal alternator charging has resumed; however, if the light does illuminate again, a malfunction has occurred, and the flight should be terminated as soon as practicable.

#### NOTE

Illumination of the low-voltage light and ammeter discharge indications may occur during low RPM conditions with an electrical load on the system, such as during a low RPM taxi. Under these conditions, the light will go out at higher RPM. The master switch need not be recycled since an over-voltage condition has not occurred to de-activate the alternator system.

The warning light may be tested by turning on the landing lights and momentarily turning off the ALT portion of the master switch while leaving the BAT portion turned on.

### CIRCUIT BREAKERS AND FUSES

Most of the electrical circuits in the airplane are protected by "push-to-reset" type circuit breakers mounted on the lower left side of the switch and control panel. However, circuit breakers protecting the alternator output, the landing gear system hydraulic pump motor circuit, and the strobe light/avionics cooling fan circuits are the "pull-off" type. In addition to the individual circuit breakers, a single-rocker switch/circuit breaker, labeled AVN PWR on the avionics panel, located on the left cabin sidewall between the forward doorpost and the switch and control panel, also protects the avionics systems. The cigar lighter is protected by a manually-reset type circuit breaker on the back of the lighter, and a fuse behind the instrument panel. The control wheel map light (if installed) is protected by the NAV LIGHTS circuit breaker and a fuse behind the instrument panel. Electrical circuits which are not protected by circuit breakers are the battery contactor closing (external power) circuit, clock circuit, and flight hour recorder circuit. These circuits are protected by fuses mounted adjacent to the battery.

### GROUND SERVICE PLUG RECEPTACLE

A ground service plug receptacle may be installed to permit the use of an external power source for cold weather starting and during lengthy maintenance work on the electrical and electronic equipment. Details of the ground service plug receptacle are presented in Section 9, Supplements.

## LIGHTING SYSTEMS

### EXTERIOR LIGHTING

Conventional navigation lights are located on the wing tips and top of the rudder. Dual landing/taxi lights are located in the cowl nose cap. Additional lighting is available and includes a flashing beacon mounted on top of the vertical fin, a strobe light on each wing tip, and a courtesy light recessed into the lower surface of each wing slightly outboard of the cabin doors. Details of the strobe light system are presented in Section 9, Supplements. The courtesy lights are operated by the DOME LIGHTS switch located on the overhead console; push the switch to the right to turn the lights on. The remaining exterior lights are operated by rocker switches located on the left switch and control panel; push the rocker up to the ON position.

The flashing beacon should not be used when flying through clouds or overcast; the flashing light reflected from water droplets or particles in the atmosphere, particularly at night, can produce vertigo and loss of orientation.

### INTERIOR LIGHTING

Instrument panel and switch and control panel lighting is provided by flood lighting, integral lighting, and post lighting (if installed). Lighting intensity is controlled by a dual dimming rheostat equipped with an outer knob labeled PANEL LT, and an inner knob labeled RADIO LT, located below the throttle. A slide-type switch (if installed) on the overhead console, labeled PANEL LIGHTS, is used to select flood lighting in the FLOOD position, post lighting in the POST position, or a combination of post and flood lighting in the BOTH position.

Instrument panel and switch and control panel flood lighting consists of a single red flood light in the forward edge of the overhead console. To use flood lighting, move the slide switch in the overhead console, labeled PANEL LIGHTS, to the FLOOD position and rotate the outer knob on the light dimming rheostat, labeled PANEL LT, clockwise to the desired light intensity.

Post lights (if installed) are mounted at the edge of each instrument and provide direct lighting. To use post lighting, move the slide switch in the overhead console, labeled PANEL LIGHTS, to the POST position and rotate the outer knob on the light dimming rheostat, labeled PANEL LT, clockwise to obtain the desired light intensity. When the PANEL LIGHTS switch is placed in the BOTH position, the flood lights and post lights will operate simultaneously.

The engine instrument cluster, radio equipment, digital clock and magnetic compass have integral lighting and operate independently of post or flood lighting. The intensity of instrument cluster, radio, and digital clock lighting is controlled by the inner knob on the light dimming rheostat labeled RADIO LT; compass lighting is controlled by the outer knob labeled PANEL LT. Rotate the knobs clockwise to obtain the desired light intensity. However, for daylight operation, the engine instrument, digital clock and compass lights may be turned off while still maintaining maximum light intensity for the digital readouts in the radio equipment. This is accomplished by rotating the knobs full counterclockwise. The flood lights/post lights are also turned off for daylight operation by rotating the PANEL LT knob full counterclockwise.

A cabin dome light, in the aft part of the overhead console, is operated by a switch near the light. To turn the light on, move the switch to the right.

A control wheel map light is available and is mounted on the bottom of the pilot's control wheel. The light illuminates the lower portion of the cabin just forward of the pilot and is helpful when checking maps and other flight data during night operations. To operate the light, first turn on the NAV LT switch; then adjust the map light's intensity with the knurled disk type rheostat control located at the bottom of the control wheel.

A doorpost map light is located on the left forward doorpost. It contains both red and white bulbs and may be positioned to illuminate any area desired by the pilot. The light is controlled by a switch, below the light, which is labeled RED, OFF, and WHITE. Placing the switch in the top position will provide a red light. In the bottom position, standard white lighting is provided. In the center position, the map light is turned off. Red light intensity is controlled by the outer knob on the light dimming rheostat labeled PANEL LT.

The most probable cause of a light failure is a burned out bulb; however, in the event any of the lighting systems fail to illuminate when turned on, check the appropriate circuit breaker. If the circuit breaker has opened (white button popped out), and there is no obvious indication of a short circuit (smoke or odor), turn off the light switch of the affected lights, reset the breaker, and turn the switch on again. If the breaker opens again, do not reset it.

## CABIN HEATING, VENTILATING AND DEFROSTING SYSTEM

Heated air from a muffler shroud and heater valve and ventilating air from an external ventilating air door are supplied to a manifold just forward of the pilot's and copilot's feet (see figure 7-9). The temperature and volume of airflow to the manifold and then to the cabin is regulated by manipulation of the push-pull CABIN HEAT and CABIN AIR controls. Both controls permit intermediate settings.

Cabin heat and ventilating air from the manifold to the cabin is supplied by two ducts, one extending down each side of the cabin to an outlet at the front door post at floor level. Windshield defrost air is also supplied by dual ducts leading from the cabin manifold to outlets on top of the glare shield. Two knobs on each outlet control sliding valves which permit regulation of defroster airflow.

For cabin ventilation, pull the CABIN AIR knob out, with the CABIN HEAT knob pushed full in. To raise the air temperature, pull the CABIN HEAT knob out until the desired temperature is attained. Additional heat is available by pulling the knob out farther; maximum heat is available with the CABIN HEAT knob pulled out and the CABIN AIR knob pushed full in.

### NOTE

For improved partial heating on mild days, pull out the CABIN AIR knob slightly when the CABIN HEAT knob is out. This action increases the airflow through the system, increasing efficiency, and blends cool outside air with the exhaust manifold heated air, thus eliminating the possibility of overheating the system ducting.

Separate adjustable ventilators supply additional ventilation air to the cabin. One near each upper corner of the windshield supplies air for the pilot and copilot, and two ventilators are available for the rear cabin area to supply air to the rear seat passengers. Each rear ventilator outlet can be adjusted in any desired direction by rotating the entire outlet. Rear seat ventilation airflow may be closed off completely, or partially closed, according to the amount of airflow desired, by rotating an adjustment knob protruding from the center of the outlet.

## PITOT-STATIC SYSTEM AND INSTRUMENTS

The pitot-static system supplies ram air pressure to the airspeed

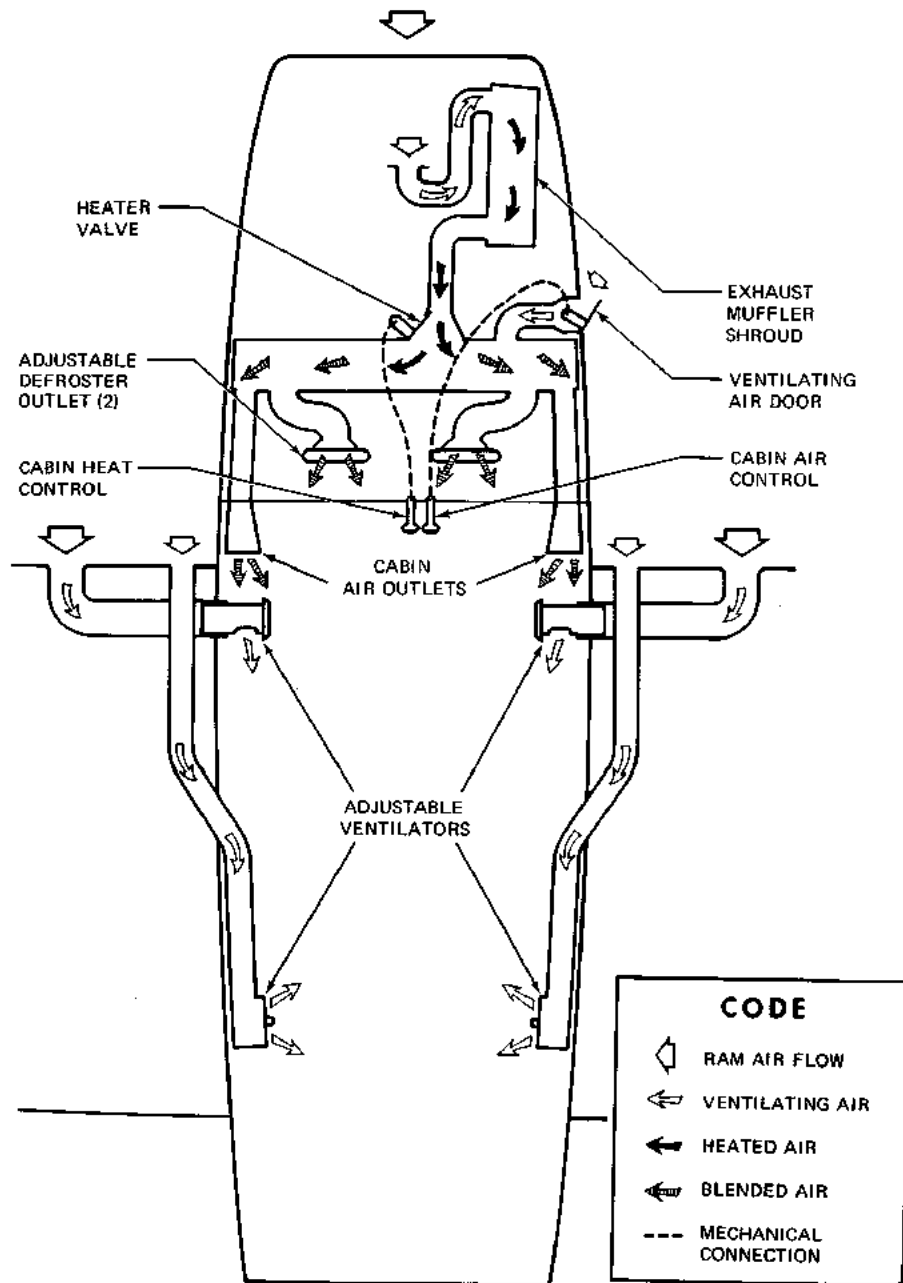


Figure 7-9. Cabin Heating, Ventilating, and Defrosting System

indicator and static pressure to the airspeed indicator, vertical speed indicator and altimeter. The system is composed of either an unheated or heated pitot tube mounted on the lower surface of the left wing, two external static ports on the left and right sides of the forward fuselage, and the associated plumbing necessary to connect the instruments to the sources.

The heated pitot system (if installed) consists of a heating element in the pitot tube, a rocker switch labeled PITOTHT and a 10-amp push-to reset circuit breaker on the left side of the switch and control panel, and associated wiring. When the pitot heat switch is turned on, the element in the pitot tube is heated electrically to maintain proper operation in possible icing conditions. Pitot heat should be used only as required.

A static pressure alternate source valve may be installed beneath the throttle, and can be used if the external static source is malfunctioning. This valve supplies static pressure from inside the cabin instead of the external static ports.

If erroneous instrument readings are suspected due to water or ice in the pressure line going to the standard external static pressure source, the alternate static source valve should be pulled on.

Pressures within the cabin will vary with heater/vents opened or closed and windows open. Refer to Sections 3 and 5 for the effect of varying cabin pressures on airspeed and altimeter readings.

## AIRSPEED INDICATOR

The airspeed indicator is calibrated in knots and miles per hour. Limitation and range markings (in KIAS) include the white arc (42 to 100 knots), green arc (50 to 145 knots), yellow arc (145 to 164 knots), and a red line (164 knots).

If a true airspeed indicator is installed, it is equipped with a rotatable ring which works in conjunction with the airspeed indicator dial in a manner similar to the operation of a flight computer. To operate the indicator, first rotate the ring until **pressure** altitude is aligned with outside air temperature in degrees Fahrenheit. Pressure altitude should not be confused with indicated altitude. To obtain pressure altitude, momentarily set the barometric scale on the altimeter to 29.92 and read pressure altitude on the altimeter. Be sure to return the altimeter barometric scale to the original barometric setting after pressure altitude has been obtained. Having set the ring to correct for altitude and temperature, read the true airspeed shown on the rotatable ring by the indicator pointer. For best accuracy, the indicated airspeed should be corrected to calibrated airspeed by referring to the Airspeed Calibration chart in Section 5.

Knowing the calibrated airspeed, read true airspeed on the ring opposite the calibrated airspeed.

### VERTICAL SPEED INDICATOR

The vertical speed indicator depicts airplane rate of climb or descent in feet per minute. The pointer is actuated by atmospheric pressure changes resulting from changes of altitude as supplied by the static source.

### ALTIMETER

Airplane altitude is depicted by a barometric type altimeter. A knob near the lower left portion of the indicator provides adjustment of the instrument's barometric scale to the current altimeter setting.

## VACUUM SYSTEM AND INSTRUMENTS

An engine-driven vacuum system (see figure 7-10) provides the suction necessary to operate the attitude indicator and directional indicator. The system consists of a vacuum pump mounted on the engine, a vacuum relief valve and vacuum system air filter on the aft side of the firewall below the instrument panel, instruments on the left side of the instrument panel and a suction gage on the right side of the panel.

### ATTITUDE INDICATOR

An attitude indicator is available and gives a visual indication of flight attitude. Bank attitude is presented by a pointer at the top of the indicator relative to the bank scale which has index marks at 10°, 20°, 30°, 60°, and 90° either side of the center mark. Pitch and roll attitudes are presented by a miniature airplane superimposed over a symbolic horizon area divided into two sections by a white horizon bar. The upper "blue sky" area and the lower "ground" area have arbitrary pitch reference lines useful for pitch attitude control. A knob at the bottom of the instrument is provided for in-flight adjustment of the miniature airplane to the horizon bar for a more accurate flight attitude indication.

### DIRECTIONAL INDICATOR

A directional indicator displays airplane heading on a compass card in relation to a fixed simulated airplane image and index. The directional indicator will precess slightly over a period of time. Therefore, the compass card should be set in accordance with the magnetic compass just prior to takeoff, and occasionally re-adjusted on extended flights. A knob on the lower left edge of the instrument is used to adjust the compass card to correct for any precession.

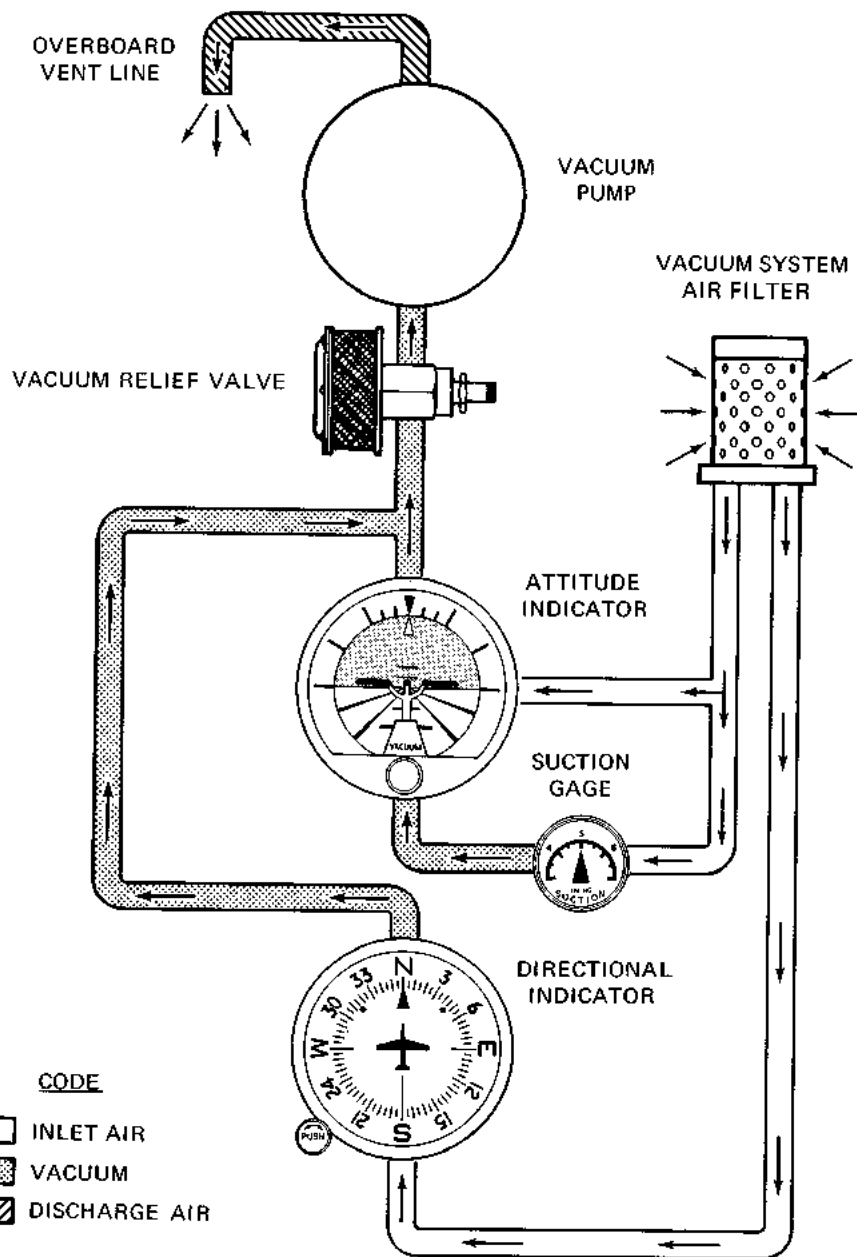


Figure 7-10. Vacuum System

## SUCTION GAGE

The suction gage, located at the upper left corner of the instrument panel, is calibrated in inches of mercury and indicates suction available for operation of the attitude and directional indicators. The desired suction range is 4.5 to 5.4 inches of mercury. A suction reading out of this range may indicate a system malfunction or improper adjustment, and in this case, the indicators should not be considered reliable.

## STALL WARNING SYSTEM

The airplane is equipped with a vane-type stall warning unit, in the leading edge of the left wing, which is electrically connected to a dual warning unit located behind the instrument panel. The vane in the wing senses the change in airflow over the wing, and operates the dual warning unit, which produces a continuous tone over the airplane speaker at airspeeds between 5 and 10 knots above the stall in all configurations.

If the airplane has a heated stall warning system, the vane and sensor unit in the wing leading edge is equipped with a heating element. The heated part of the system is operated by the PITOT HT switch, and is protected by the PITOT HT circuit breaker.

The stall warning system should be checked during the pre-flight inspection by momentarily turning on the master switch and actuating the vane in the wing. The system is operational if a continuous tone is heard on the airplane speaker as the vane is pushed upward.

## AVIONICS SUPPORT EQUIPMENT

If the airplane is equipped with avionics, various avionics support equipment may also be installed. Equipment available includes an avionics cooling fan, microphone-headset installations and control surface static dischargers. The following paragraphs discuss these items. Description and operation of radio equipment is covered in Section 9 of this handbook.

### AVIONICS COOLING FAN

An avionics cooling fan system is provided whenever a factory-installed Nav/Com radio is installed. The system is designed to provide internal cooling air from a small electric fan to the avionics units and thereby eliminate the possibility of moisture contamination using an

external cooling air source.

Power to the electric fan is supplied directly from a "pull-off" type circuit breaker labeled STROBE, AVN FAN, located on the left switch and control panel. Hence, power is supplied to the fan anytime the master switch is ON. This arrangement provides air circulation through the radios to remove a possible heat soak condition before the radios are turned on after engine start. It is recommended that the circuit breaker be left ON except during periods of lengthy maintenance with the master switch ON.

## MICROPHONE-HEADSET INSTALLATIONS

Three types of microphone-headset installations are offered. The standard system provided with avionics equipment includes a hand-held microphone and separate headset. The keying switch for this microphone is on the microphone. Two optional microphone-headset installations are also available; these feature a single-unit microphone-headset combination which permits the pilot or front passenger to conduct radio communications without interrupting other control operations to handle a hand-held microphone. One microphone-headset combination is a lightweight type without a padded headset and the other version has a padded headset. The microphone-headset combinations utilize a remote keying switch located on the left grip of the pilot's control wheel and, if an optional intercom system is installed, a second switch on the right grip of the front passenger's control wheel. The microphone and headset jacks are located on the lower left and right sides of the instrument panel. Audio to all three headsets is controlled by the individual audio selector switches and adjusted for volume level by using the selected receiver volume controls.

### NOTE

When transmitting, with the hand-held microphone, the pilot should key the microphone, place the microphone as close as possible to the lips and speak directly into it.

## STATIC DISCHARGERS

If frequent IFR flights are planned, installation of wick-type static dischargers is recommended to improve radio communications during flight through dust or various forms of precipitation (rain, snow or ice crystals). Under these conditions, the build-up and discharge of static electricity from the trailing edges of the wings, rudder, elevator, propeller tips, and radio antennas can result in loss of usable radio signals on all communications and navigation radio equipment. Usually the ADF is first to be affected and VHF communication equipment is the last to be affected.

Installation of static dischargers reduces interference from precipita-



tion static, but it is possible to encounter severe precipitation static conditions which might cause the loss of radio signals, even with static dischargers installed. Whenever possible, avoid known severe precipitation areas to prevent loss of dependable radio signals. If avoidance is impractical, minimize airspeed and anticipate temporary loss of radio signals while in these areas.

# SECTION 8

## AIRPLANE HANDLING, SERVICE & MAINTENANCE

### TABLE OF CONTENTS

|  | Page |
|--|------|
| Introduction . . . . .                           | 8-3  |
| Identification Plate . . . . .                   | 8-3  |
| Owner Follow-Up System . . . . .                 | 8-3  |
| Publications . . . . .                           | 8-3  |
| Airplane File . . . . .                          | 8-4  |
| Airplane Inspection Periods . . . . .            | 8-5  |
| FAA Required Inspections . . . . .               | 8-5  |
| Cessna Progressive Care . . . . .                | 8-6  |
| Cessna Customer Care Program . . . . .           | 8-6  |
| Pilot Conducted Preventive Maintenance . . . . . | 8-7  |
| Alterations or Repairs . . . . .                 | 8-7  |
| Ground Handling . . . . .                        | 8-8  |
| Towing . . . . .                                 | 8-8  |
| Parking . . . . .                                | 8-8  |
| Tie-Down . . . . .                               | 8-8  |
| Jacking . . . . .                                | 8-8  |
| Leveling . . . . .                               | 8-9  |
| Flyable Storage . . . . .                        | 8-9  |
| Servicing . . . . .                              | 8-10 |
| Engine Oil . . . . .                             | 8-10 |
| Fuel . . . . .                                   | 8-12 |
| Landing Gear . . . . .                           | 8-14 |
| Cleaning and Care . . . . .                      | 8-15 |
| Windshield-Windows . . . . .                     | 8-15 |
| Painted Surfaces . . . . .                       | 8-15 |
| Propeller Care . . . . .                         | 8-16 |
| Landing Gear Care . . . . .                      | 8-16 |
| Engine Care . . . . .                            | 8-16 |
| Interior Care . . . . .                          | 8-17 |

## INTRODUCTION

This section contains factory-recommended procedures for proper ground handling and routine care and servicing of your Cessna. It also identifies certain inspection and maintenance requirements which must be followed if your airplane is to retain that new-plane performance and dependability. It is wise to follow a planned schedule of lubrication and preventive maintenance based on climatic and flying conditions encountered in your locality.

Keep in touch with your Cessna Dealer and take advantage of his knowledge and experience. He knows your airplane and how to maintain it. He will remind you when lubrications and oil changes are necessary, and about other seasonal and periodic services.

## IDENTIFICATION PLATE

All correspondence regarding your airplane should include the SERIAL NUMBER. The Serial Number, Model Number, Production Certificate Number (PC) and Type Certificate Number (TC) can be found on the Identification Plate, located on the left forward doorpost. Located adjacent to the Identification Plate is a Finish and Trim Plate which contains a code describing the interior color scheme and exterior paint combination of the airplane. The code may be used in conjunction with an applicable Parts Catalog if finish and trim information is needed.

## OWNER FOLLOW-UP SYSTEM

Your Cessna Dealer has an Owner Follow-Up System to notify you when he receives information that applies to your Cessna. In addition, if you wish, you may choose to receive similar notification, in the form of Service Letters, directly from the Cessna Customer Services Department. A subscription form is supplied in your Customer Care Program book for your use, should you choose to request this service. Your Cessna Dealer will be glad to supply you with details concerning these follow-up programs, and stands ready, through his Service Department, to supply you with fast, efficient, low-cost service.

## PUBLICATIONS

Various publications and flight operation aids are furnished in the

airplane when delivered from the factory. These items are listed below.

- CUSTOMER CARE PROGRAM BOOK
- PILOT'S OPERATING HANDBOOK AND FAA APPROVED AIRPLANE FLIGHT MANUAL
- AVIONICS OPERATION GUIDE
- PILOT'S CHECKLISTS
- POWER COMPUTER
- CUSTOMER CARE DEALER DIRECTORY

The following additional publications, plus many other supplies that are applicable to your airplane, are available from your Cessna Dealer.

- INFORMATION MANUAL (Contains Pilot's Operating Handbook Information)
- SERVICE MANUALS AND PARTS CATALOGS FOR YOUR:  
AIRPLANE  
ENGINE AND ACCESSORIES  
AVIONICS AND AUTOPILOT

Your Cessna Dealer has a Customer Care Supplies Catalog covering all available items, many of which he keeps on hand. He will be happy to place an order for any item which is not in stock.

NOTE

A Pilot's Operating Handbook and FAA Approved Airplane Flight Manual which is lost or destroyed may be replaced by contacting your Cessna Dealer or writing directly to the Customer Services Department, Cessna Aircraft Company, Wichita, Kansas. An affidavit containing the owner's name, airplane serial number and registration number must be included in replacement requests since the Pilot's Operating Handbook and FAA Approved Airplane Flight Manual is identified for specific airplanes only.

## AIRPLANE FILE

There are miscellaneous data, information and licenses that are a part of the airplane file. The following is a checklist for that file. In addition, a periodic check should be made of the latest Federal Aviation Regulations to ensure that all data requirements are met.

A. To be displayed in the airplane at all times:

1. Aircraft Airworthiness Certificate (FAA Form 8100-2).
2. Aircraft Registration Certificate (FAA Form 8050-3).
3. Aircraft Radio Station License, if transmitter installed (FCC Form 556).

B. To be carried in the airplane at all times:

1. Pilot's Operating Handbook and FAA Approved Airplane Flight Manual.
2. Weight and Balance, and associated papers (latest copy of the Repair and Alteration Form, FAA Form 337, if applicable).
3. Equipment List.

C. To be made available upon request:

1. Airplane Log Book.
2. Engine Log Book.

Most of the items listed are required by the United States Federal Aviation Regulations. Since the Regulations of other nations may require other documents and data, owners of airplanes not registered in the United States should check with their own aviation officials to determine their individual requirements.

Cessna recommends that these items, plus the Pilot's Checklists, Power Computer, Customer Care Program book and Customer Care Card, be carried in the airplane at all times.

## AIRPLANE INSPECTION PERIODS

### FAA REQUIRED INSPECTIONS

As required by Federal Aviation Regulations, all civil aircraft of U.S. registry must undergo a complete inspection (annual) each twelve calendar months. In addition to the required ANNUAL inspection, aircraft operated commercially (for hire) must have a complete inspection every 100 hours of operation.

The FAA may require other inspections by the issuance of airworthiness directives applicable to the airplane, engine, propeller and components. It is the responsibility of the owner/operator to ensure compliance with all applicable airworthiness directives and, when the inspections are repetitive, to take appropriate steps to prevent inadvertent noncompliance.

In lieu of the 100 HOUR and ANNUAL inspection requirements, an airplane may be inspected in accordance with a progressive inspection schedule, which allows the work load to be divided into smaller operations that can be accomplished in shorter time periods.

The CESSNA PROGRESSIVE CARE PROGRAM has been developed to provide a modern progressive inspection schedule that satisfies the complete airplane inspection requirements of both the 100 HOUR and ANNUAL inspections as applicable to Cessna airplanes. The program assists the owner in his responsibility to comply with all FAA inspection requirements, while ensuring timely replacement of life-limited parts and adherence to factory-recommended inspection intervals and maintenance procedures.

### CESSNA PROGRESSIVE CARE

The Cessna Progressive Care Program has been designed to help you realize maximum utilization of your airplane at a minimum cost and downtime. Under this program, your airplane is inspected and maintained in four operations at 50-hour intervals during a 200-hour period. The operations are recycled each 200 hours and are recorded in a specially provided Aircraft Inspection Log as each operation is conducted.

The Cessna Aircraft Company recommends Progressive Care for airplanes that are being flown 200 hours or more per year, and the 100-hour inspection for all other airplanes. The procedures for the Progressive Care Program and the 100-hour inspection have been carefully worked out by the factory and are followed by the Cessna Dealer Organization. The complete familiarity of Cessna Dealers with Cessna equipment and factory-approved procedures provides the highest level of service possible at lower cost to Cessna owners.

Regardless of the inspection method selected by the owner, he should keep in mind that FAR Part 43 and FAR Part 91 establishes the requirement that properly certified agencies or personnel accomplish all required FAA inspections and most of the manufacturer recommended inspections.

### CESSNA CUSTOMER CARE PROGRAM

Specific benefits and provisions of the CESSNA WARRANTY plus other important benefits for you are contained in your CUSTOMER CARE PROGRAM book supplied with your airplane. You will want to thoroughly review your Customer Care Program book and keep it in your airplane at all times.

Coupons attached to the Program book entitle you to an initial inspection and either a Progressive Care Operation No.1 or the first 100-

hour inspection within the first 6 months of ownership at no charge to you. If you take delivery from your Dealer, the initial inspection will have been performed before delivery of the airplane to you. If you pick up your airplane at the factory, plan to take it to your Dealer reasonably soon after you take delivery, so the initial inspection may be performed allowing the Dealer to make any minor adjustments which may be necessary.

You will also want to return to your Dealer either at 50 hours for your first Progressive Care Operation, or at 100 hours for your first 100-hour inspection depending on which program you choose to establish for your airplane. While these important inspections will be performed for you by any Cessna Dealer, in most cases you will prefer to have the Dealer from whom you purchased the airplane accomplish this work.

### PILOT CONDUCTED PREVENTIVE MAINTENANCE

A certified pilot who owns or operates an airplane not used as an air carrier is authorized by FAR Part 43 to perform limited maintenance on his airplane. Refer to FAR Part 43 for a list of the specific maintenance operations which are allowed.

#### NOTE

Pilots operating airplanes of other than U.S. registry should refer to the regulations of the country of certification for information on preventive maintenance that may be performed by pilots.

A Service Manual should be obtained prior to performing any preventive maintenance to ensure that proper procedures are followed. Your Cessna Dealer should be contacted for further information or for required maintenance which must be accomplished by appropriately licensed personnel.

### ALTERATIONS OR REPAIRS

It is essential that the FAA be contacted prior to any alterations on the airplane to ensure that airworthiness of the airplane is not violated. Alterations or repairs to the airplane must be accomplished by licensed personnel.

## GROUND HANDLING

### TOWING

The airplane is most easily and safely maneuvered by hand with the tow-bar attached to the nose wheel. When towing with a vehicle, do not exceed the nose gear turning angle of 30° either side of center, or damage to the gear will result. If the airplane is towed or pushed over a rough surface during hangaring, watch that the normal cushioning action of the nose strut does not cause excessive vertical movement of the tail and the resulting contact with low hangar doors or structure. A flat nose tire or deflated strut will also increase tail height.

### PARKING

When parking the airplane, head into the wind and set the parking brakes. Do not set the parking brakes during cold weather when accumulated moisture may freeze the brakes, or when the brakes are overheated. Close the cowl flaps, install the control wheel lock and chock the wheels. In severe weather and high wind conditions, tie the airplane down as outlined in the following paragraph.

### TIE-DOWN

Proper tie-down procedure is the best precaution against damage to the parked airplane by gusty or strong winds. To tie-down the airplane securely, proceed as follows:

1. Set the parking brake and install the control wheel lock.
2. Install a surface control lock over the fin and rudder.
3. Tie sufficiently strong ropes or chains (700 pounds tensile strength) to the wing and tail tie-down fittings and secure each rope to a ramp tie-down.
4. Tie a rope (no chains or cables) to the nose gear torque link and secure to a ramp tie-down.
5. Install a pitot tube cover.

### JACKING

When a requirement exists to jack one or both main gear, the entire airplane should be jacked by using the wing jack points. Refer to the Service Manual for specific procedures and equipment required.

If nose gear maintenance is required, the nose wheel may be raised off the ground by pressing down on a tailcone bulkhead, just forward of the horizontal stabilizer, and allowing the tail to rest on the tail tie-down ring.

### NOTE

Do not apply pressure on the elevator or outboard stabilizer surfaces. When pushing on the tailcone, always apply pressure at a bulkhead to avoid buckling the skin.

To assist in raising and holding the nose wheel off the ground, weight down the tail by placing sand-bags, or suitable weights, on each side of the horizontal stabilizer, next to the fuselage. If ground anchors are available, the tail should be securely tied down.

### NOTE

Ensure that the nose will be held off the ground under all conditions by means of suitable stands or supports under weight supporting bulkheads near the nose of the airplane.

### LEVELING

Longitudinal leveling of the airplane is accomplished by placing a level on the leveling screws located on the left side of the tailcone. Deflate the nose tire and/or lower or raise the nose strut to properly center the bubble in the level. Corresponding points on both upper door sills may be used to level the airplane laterally.

### FLYABLE STORAGE

Airplanes placed in non-operational storage for a maximum of 30 days or those which receive only intermittent operational use for the first 25 hours are considered in flyable storage status. Every seventh day during these periods, the propeller should be rotated by hand through five revolutions. This action "limbers" the oil and prevents any accumulation of corrosion on engine cylinder walls.

## WARNING

For maximum safety, check that the ignition switch is OFF, the throttle is closed, the mixture control is in the idle cut-off position, and the airplane is secured before rotating the propeller by hand. Do not stand within the arc of the propeller blades while turning the propeller.

After 30 days, the airplane should be flown for 30 minutes or a ground runup should be made just long enough to produce an oil temperature within the lower green arc range. Excessive ground runup should be avoided.

Engine runup also helps to eliminate excessive accumulations of water in the fuel system and other air spaces in the engine. Keep fuel tanks full to minimize condensation in the tanks. Keep the battery fully charged to prevent the electrolyte from freezing in cold weather. If the airplane is to be stored temporarily, or indefinitely, refer to the Service Manual for proper storage procedures.

## SERVICING

In addition to the PREFLIGHT INSPECTION covered in Section 4, COMPLETE servicing, inspection, and test requirements for your airplane are detailed in the Service Manual. The Service Manual outlines all items which require attention at 50, 100, and 200 hour intervals plus those items which require servicing, inspection, and/or testing at special intervals.

Since Cessna Dealers conduct all service, inspection, and test procedures in accordance with applicable Service Manuals, it is recommended that you contact your Cessna Dealer concerning these requirements and begin scheduling your airplane for service at the recommended intervals.

Cessna Progressive Care ensures that these requirements are accomplished at the required intervals to comply with the 100-hour or ANNUAL inspection as previously covered.

Depending on various flight operations, your local Government Aviation Agency may require additional service, inspections, or tests. For these regulatory requirements, owners should check with local aviation officials where the airplane is being operated.

For quick and ready reference, quantities, materials, and specifications for frequently used service items are as follows:

### ENGINE OIL

#### GRADE AND VISCOSITY FOR TEMPERATURE RANGE --

The airplane was delivered from the factory with aviation grade straight mineral oil. This oil should be drained after the first 25 hours of operation, and the following oils used as specified for the average ambient air temperature in the operating area.

**MIL-L-6082 Aviation Grade Straight Mineral Oil:** Use to replenish supply during the first 25 hours and at the first 25-hour oil change. Continue to use until a total of 50 hours has accumulated or oil consumption has stabilized.

All temperatures, use SAE 20W-50 or  
Above 16°C (60°F), use SAE 50

-1°C (30°F) to 32°C (90°F), use SAE 40

-18°C (0°F) to 21°C (70°F), use SAE 30

Below -12°C (10°F), use SAE 20

**MIL-L-22851 Ashless Dispersant Oil:** This oil must be used after the first 50 hours or oil consumption has stabilized.

All temperatures, use SAE 20W-50 or

Above 16°C (60°F), use SAE 40 or SAE 50

-1°C (30°F) to 32°C (90°F), use SAE 40

-18°C (0°F) to 21°C (70°F), use SAE 40 or SAE 30

Below -12°C (10°F), use SAE 30

#### CAPACITY OF ENGINE SUMP -- 8 Quarts.

Do not operate on less than 5 quarts. To minimize loss of oil through breather, fill to 7 quart level for normal flights of less than 3 hours. For extended flight, fill to 8 quarts. These quantities refer to oil dipstick level readings. During oil and oil filter changes, one additional quart is required when the filter is changed.

#### OIL AND OIL FILTER CHANGE --

After the first 25 hours of operation, drain engine oil sump and change the filter. Refill sump with straight mineral oil and use until a total of 50 hours has accumulated or oil consumption has stabilized; then change to dispersant oil. Drain the engine oil sump and change the filter each 50 hours thereafter. The oil change interval may be extended to 100-hour intervals, providing the oil filter is changed at 50-hour intervals. Change engine oil at least every 6 months even though less than the recommended hours have accumulated. Reduce intervals for prolonged operation in dusty areas, cold climates, or when short flights and long idle periods result in sludging conditions.

#### NOTE

During the first 25-hour oil and filter change, a general inspection of the overall engine compartment is required. Items which are not normally checked during a preflight inspection should be given special attention. Hoses, metal lines and fittings should be inspected for signs of oil and fuel leaks, and checked for abrasions, chafing, security, proper routing and support, and evidence of deterioration. Inspect the intake and exhaust systems for cracks, evidence of leakage, and security of attachment. Engine controls and linkages should be checked for freedom of movement through their full range, security of attachment and evidence of wear. Inspect wiring for security, chafing, burning, defective insulation, loose or broken terminals, heat deterioration, and corroded terminals. Check the alternator belt in accordance with Service Manual instructions, and retighten if necessary. A periodic check of these

items during subsequent servicing operations is recommended.

## FUEL

### APPROVED FUEL GRADES (AND COLORS) --

100LL Grade Aviation Fuel (Blue).

100 (Formerly 100/130) Grade Aviation Fuel (Green).

#### NOTE

Isopropyl alcohol or ethylene glycol monomethyl ether may be added to the fuel supply in quantities not to exceed 1% or .15% by volume, respectively, of the total. Refer to Fuel Additives in later paragraphs for additional information.

CAPACITY EACH TANK -- 33.0 Gallons.

REDUCED CAPACITY EACH TANK (WHEN FILLED TO BOTTOM OF FUEL FILLER COLLAR) -- 24.0 Gallons.

#### NOTE

Service the fuel system after each flight, and keep fuel tanks full to minimize condensation in the tanks.

#### NOTE

To ensure maximum fuel capacity when refueling, and minimize cross-feeding when parked on a sloping surface, place the fuel selector valve handle in either LEFT or RIGHT position.

### FUEL ADDITIVES --

Strict adherence to recommended preflight draining instructions as called for in Section 4 will eliminate any free water accumulations from the tank sumps. While small amounts of water may still remain in solution in the gasoline, it will normally be consumed and go unnoticed in the operation of the engine.

One exception to this can be encountered when operating under the combined effect of: (1) use of certain fuels, with (2) high humidity conditions on the ground (3) followed by flight at high altitude and low temperature. Under these unusual conditions, small amounts of water in solution can precipitate from the fuel stream and freeze in sufficient quantities to induce partial icing of the engine fuel system.

While these conditions are quite rare and will not normally pose a problem to owners and operators, they do exist in certain areas of the world and consequently must be dealt with, when encountered.

Therefore, to alleviate the possibility of fuel icing occurring under these unusual conditions, it is permissible to add isopropyl alcohol or ethylene glycol monomethyl ether (EGME) compound to the fuel supply.

The introduction of alcohol or EGME compound into the fuel provides two distinct effects: (1) it absorbs the dissolved water from the gasoline and (2) alcohol has a freezing temperature depressant effect.

Alcohol, if used, is to be blended with the fuel in a concentration of 1% by volume. Concentrations greater than 1% are not recommended since they can be detrimental to fuel tank materials.

The manner in which the alcohol is added to the fuel is significant because alcohol is most effective when it is completely dissolved in the fuel. To ensure proper mixing, the following is recommended:

1. For best results, the alcohol should be added during the fueling operation by pouring the alcohol directly on the fuel stream issuing from the fueling nozzle.
2. An alternate method that may be used is to premix the complete alcohol dosage with some fuel in a separate clean container (approximately 2-3 gallon capacity) and then transferring this mixture to the tank prior to the fuel operation.

Any high quality isopropyl alcohol may be used, such as Anti-Icing Fluid (MIL-F-5566) or Isopropyl Alcohol (Federal Specification TT-I-735a). Figure 8-1 provides alcohol-fuel mixing ratio information.

Ethylene glycol monomethyl ether (EGME) compound, in compliance with MIL-I-27686 or Phillips PFA-55MB, if used, must be carefully mixed with the fuel in concentrations not to exceed .15% by volume. Figure 8-1 provides EGME-fuel mixing ratio information.

### CAUTION

Mixing of the EGME compound with the fuel is extremely important because a concentration in excess of that recommended (.15% by volume maximum) will result in detrimental effects to the fuel tanks, such as deterioration of protective primer and sealants and damage to O-rings and

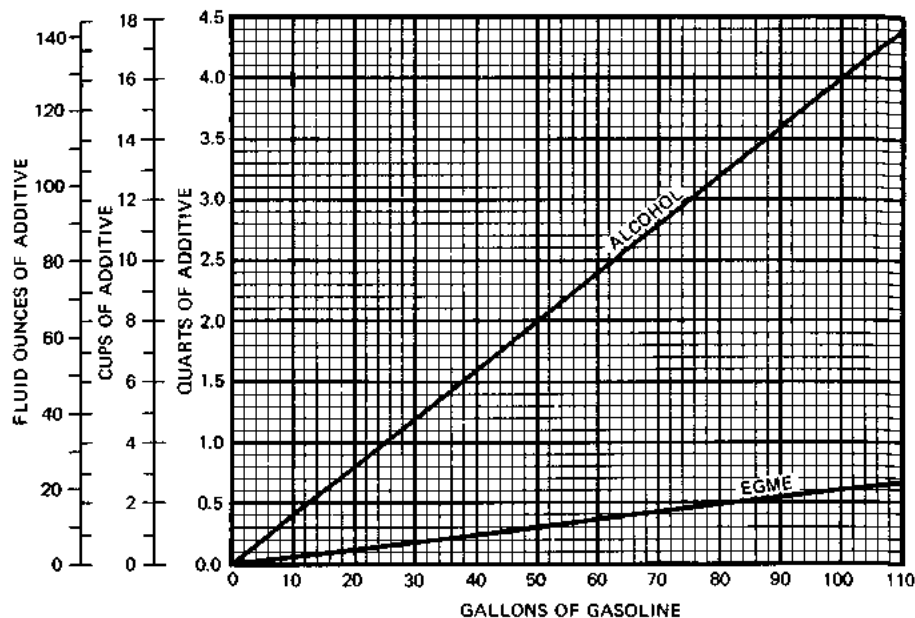


Figure 8-1. Additive Mixing Ratio

seals in the fuel system and engine components. Use only blending equipment that is recommended by the manufacturer to obtain proper proportioning.

### CAUTION

Do not allow the concentrated EGME compound to come in contact with the airplane finish or fuel cell as damage can result.

Prolonged storage of the airplane will result in a water buildup in the fuel which "leeches out" the additive. An indication of this is when an excessive amount of water accumulates in the fuel tank sumps. The concentration can be checked using a differential refractometer. It is imperative that the technical manual for the differential refractometer be followed explicitly when checking the additive concentration.

## LANDING GEAR

**NOSE WHEEL TIRE PRESSURE** -- 40-50 PSI on 5.00-5, 6-Ply Rated Tire.  
**MAIN WHEEL TIRE PRESSURE** -- 60-68 PSI on 15x6.00-6, 6-Ply Rated Tires.

## NOSE GEAR SHOCK STRUT --

Keep filled with MIL-H-5606 hydraulic fluid and inflated with air to 55 PSI with no load on strut.

**HYDRAULIC FLUID RESERVOIR** -- Check every 25 hours and service with MIL-H-5606 hydraulic fluid.

## CLEANING AND CARE

### WINDSHIELD-WINDOWS

The plastic windshield and windows should be cleaned with an aircraft windshield cleaner. Apply the cleaner sparingly with soft cloths, and rub with moderate pressure until all dirt, oil scum and bug stains are removed. Allow the cleaner to dry, then wipe it off with soft flannel cloths.

If a windshield cleaner is not available, the plastic can be cleaned with soft cloths moistened with Stoddard solvent to remove oil and grease.

### NOTE

Never use gasoline, benzine, alcohol, acetone, fire extinguisher or anti-ice fluid, lacquer thinner or glass cleaner to clean the plastic. These materials will attack the plastic and may cause it to craze.

Follow by carefully washing with a mild detergent and plenty of water. Rinse thoroughly, then dry with a clean moist chamois. Do not rub the plastic with a dry cloth since this builds up an electrostatic charge which attracts dust. Waxing with a good commercial wax will finish the cleaning job. A thin, even coat of wax, polished out by hand with clean soft flannel cloths, will fill in minor scratches and help prevent further scratching.

Do not use a canvas cover on the windshield unless freezing rain or sleet is anticipated since the cover may scratch the plastic surface.

### PAINTED SURFACES

The painted exterior surfaces of your new Cessna have a durable, long lasting finish and, under normal conditions, require no polishing or buffing. Approximately 10 days are required for the paint to cure completely; in most cases, the curing period will have been completed prior to delivery of the airplane. In the event that polishing or buffing is required within the curing period, it is recommended that the work be done by someone experienced in handling uncured paint. Any Cessna Dealer can accomplish this work.



Generally, the painted surfaces can be kept bright by washing with water and mild soap, followed by a rinse with water and drying with cloths or a chamois. Harsh or abrasive soaps or detergents which cause corrosion or scratches should never be used. Remove stubborn oil and grease with a cloth moistened with Stoddard solvent.

Waxing is unnecessary to keep the painted surfaces bright. However, if desired, the airplane may be waxed with a good automotive wax. A heavier coating of wax on the leading edges of the wings and tail and on the engine nose cap and propeller spinner will help reduce the abrasion encountered in these areas.

When the airplane is parked outside in cold climates and it is necessary to remove ice before flight, care should be taken to protect the painted surfaces during ice removal with chemical liquids. Isopropyl alcohol will satisfactorily remove ice accumulations without damaging the paint. While applying the de-icing solution, keep it away from the windshield and cabin windows since the alcohol will attack the plastic and may cause it to craze.

### PROPELLER CARE

Preflight inspection of propeller blades for nicks, and wiping them occasionally with an oily cloth to clean off grass and bug stains will assure long, trouble-free service. Small nicks on the propeller, particularly near the tips and on the leading edges, should be dressed out as soon as possible since these nicks produce stress concentrations, and if ignored, may result in cracks. Never use an alkaline cleaner on the blades; remove grease and dirt with Stoddard solvent.

### LANDING GEAR CARE

Cessna Dealers' mechanics have been trained in the proper adjustment and rigging procedures on the airplane hydraulic system. To assure trouble-free gear operation, have your Cessna Dealer check the gear regularly and make any necessary adjustments. Only properly trained mechanics should attempt to repair or adjust the landing gear.

### ENGINE CARE

The engine may be cleaned with Stoddard solvent, or equivalent, then dried thoroughly.

### CAUTION

Particular care should be given to electrical equipment

before cleaning. Cleaning fluids should not be allowed to enter magnetos, starter, alternator and the like. Protect these components before saturating the engine with solvents. All other openings should also be covered before cleaning the engine assembly. Caustic cleaning solutions should be used cautiously and should always be properly neutralized after their use.

### INTERIOR CARE

To remove dust and loose dirt from the upholstery and carpet, clean the interior regularly with a vacuum cleaner.

Blot up any spilled liquid promptly with cleansing tissue or rags. Don't pat the spot; press the blotting material firmly and hold it for several seconds. Continue blotting until no more liquid is taken up. Scrape off sticky materials with a dull knife, then spot-clean the area.

Oily spots may be cleaned with household spot removers, used sparingly. Before using any solvent, read the instructions on the container and test it on an obscure place on the fabric to be cleaned. Never saturate the fabric with a volatile solvent; it may damage the padding and backing materials.

Soiled upholstery and carpet may be cleaned with foam-type detergent, used according to the manufacturer's instructions. To minimize wetting the fabric, keep the foam as dry as possible and remove it with a vacuum cleaner.

If your airplane is equipped with leather seating, cleaning of the seats is accomplished using a soft cloth or sponge dipped in mild soap suds. The soap suds, used sparingly, will remove traces of dirt and grease. The soap should be removed with a clean damp cloth.

The plastic trim, headliner, instrument panel and control knobs need only be wiped off with a damp cloth. Oil and grease on the control wheel and control knobs can be removed with a cloth moistened with Stoddard solvent. Volatile solvents, such as mentioned in paragraphs on care of the windshield, must never be used since they soften and craze the plastic.